



AN454

EN	Pneumatic Coil Nailer	INSTRUCTION MANUAL	5
PL	Gwoździarka Pneumatyczna	INSTRUKCJA OBSŁUGI	13
HU	Pneumatikus táras szegező	HASZNÁLATI KÉZIKÖNYV	22
SK	Pneumatická klincovačka zvitkových klincov	NÁVOD NA OBSLUHU	30
CS	Pneumatická svitková hřebíkovačka	NÁVOD K OBSLUZE	38
UK	Пневматичний цвяхозабивний пістолет	ІНСТРУКЦІЯ З ЕКСПЛУАТАЦІЇ	46
RO	Pistol pneumatic de bătut cuie	MANUAL DE INSTRUCȚIUNI	55
DE	Coilnagler-HP	BETRIEBSANLEITUNG	64
SL	Pnevmatski žebjalnik	NAVODILA ZA UPORABO	73
SQ	Gozhdues pneumatik me gjerdan	MANUALI I PËRDORIMIT	81
BG	Пневматичен пистолет за пирони със спирала	РЪКОВОДСТВО ЗА ЕКСПЛОАТАЦИЯ	89
HR	Pneumatski pištolj za čavle	PRIRUČNIK S UPUTAMA	98
MK	Пневматски пиштол за ковање	УПАТСТВО ЗА УПОТРЕБА	106
SR	Пнеуматски спирални забијач ексера	УПУТСТВО ЗА УПОТРЕБУ	115
RU	Пневматический гвоздезабивной пистолет	РУКОВОДСТВО ПО ЭКСПЛУАТАЦИИ	123

WARNING: Please read the instructions and warnings for this tool carefully before use. Failure to do so could lead to serious injury.

OSTRZEŻENIE: Przed rozpoczęciem korzystania z tego narzędzia należy zapoznać się z instrukcjami i ostrzeżeniami. Nieprzestrzeganie powyższego zalecenia może prowadzić do poważnych obrażeń ciała.

FIGYELMEZTETÉS: Mielőtt használatba venné a szerszámot, figyelmesen olvassa el az arra vonatkozó utasításokat és figyelmeztetéseket. Ennek elmulasztása súlyos sérüléshez vezethet.

VAROVANIE: Pred použitím si starostlivo prečítajte pokyny a varovania pre toto náradie. V opačnom prípade môže dôjsť k vážnemu zraneniu.

VAROVÁNÍ: Před použitím si pozorně přečtěte pokyny a varování týkající se tohoto nářadí. Pokud tak neučiníte, může dojít k vážnému zranění.

ПОПЕРЕДЖЕННЯ: Перед використанням цього інструмента уважно прочитайте інструкції та попередження щодо нього. Недотримання цієї вимоги може призвести до серйозних травм.

AVERTIZARE: Vă rugăm să citiți cu atenție instrucțiunile și avertizările pentru această mașină înainte de utilizare. În caz contrar, există pericol de vătămări corporale grave.

WARNUNG: Bitte lesen Sie die Anweisungen und Warnungen für dieses Werkzeug vor Gebrauch aufmerksam durch. Anderenfalls kann es zu schweren Verletzungen kommen.

OPOZORILO: Natančno preberite navodila in opozorila pred uporabo orodja, sicer lahko pride do hudih telesnih poškodb.

PARALAJMËRIM: Lexoni udhëzimet dhe paralajmërime për këtë vegël me kujdes përpara përdorimit. Nëse nuk veprohet kështu mund të shkaktohen lëndime serioze.

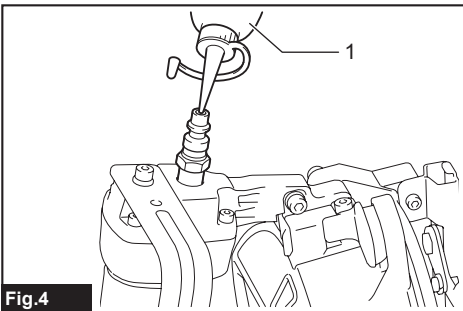
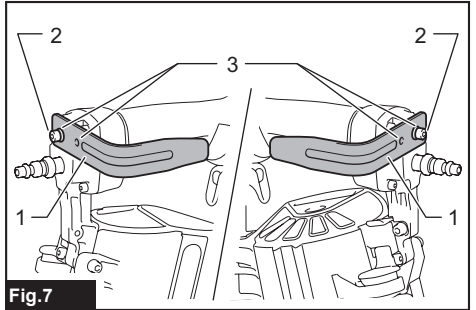
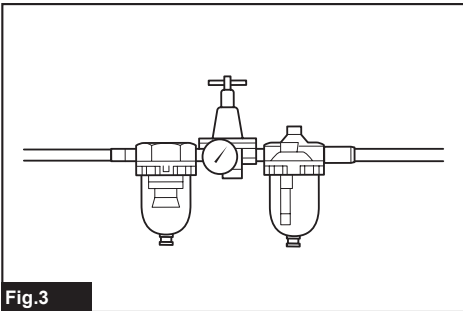
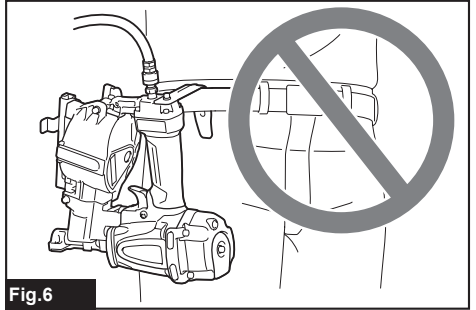
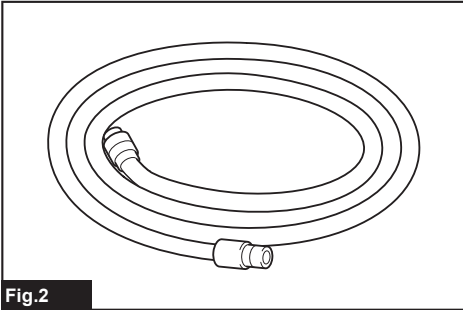
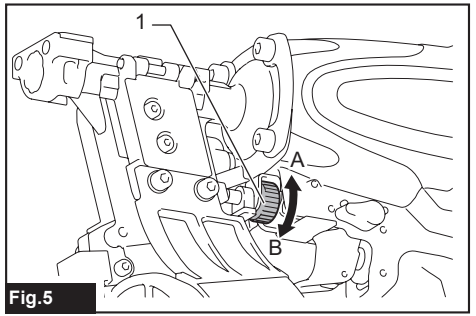
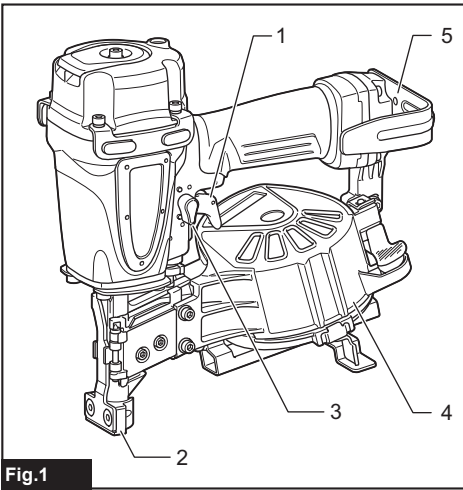
ПРЕДУПРЕЖДЕНИЕ: Моля, прочетете внимателно инструкциите и предупрежденията за този инструмент преди употреба. В противен случай съществува опасност от тежко нараняване.

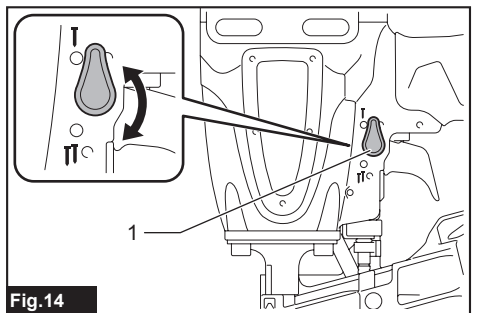
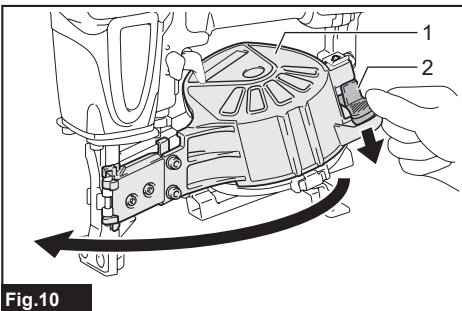
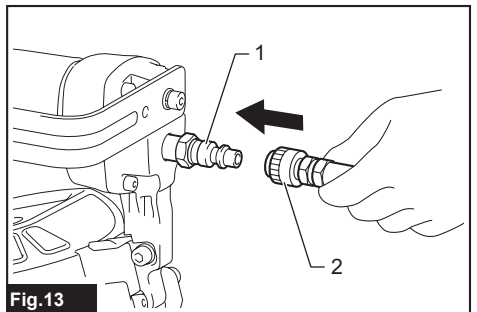
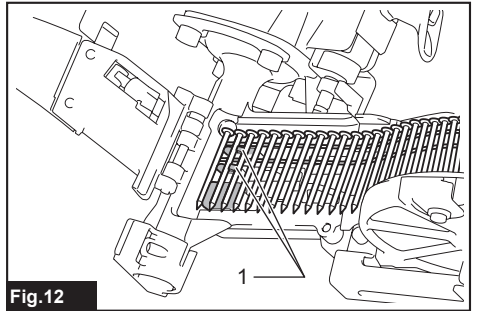
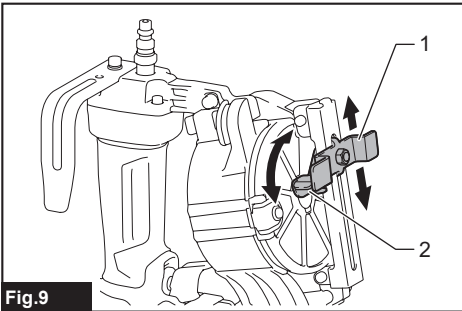
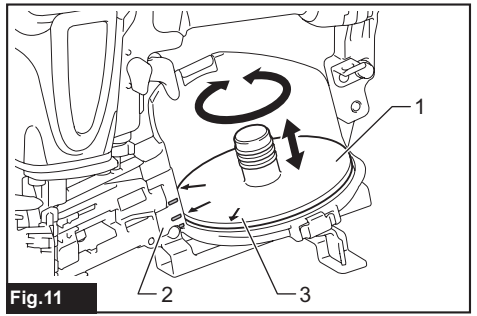
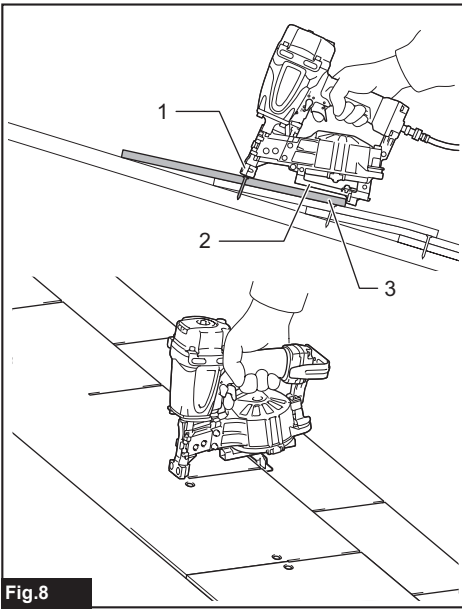
UPOZORENJE: Prije upotrebe pažljivo pročitajte upute i upozorenja za alat. Ako to ne učinite, može doći do teških ozljeda.

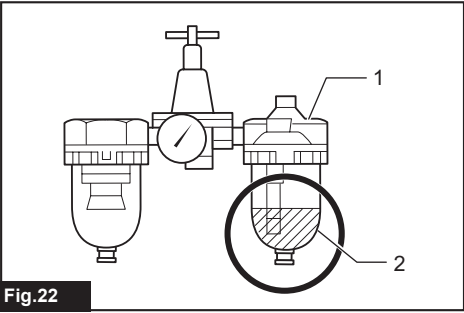
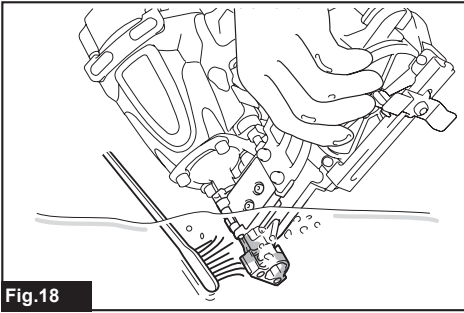
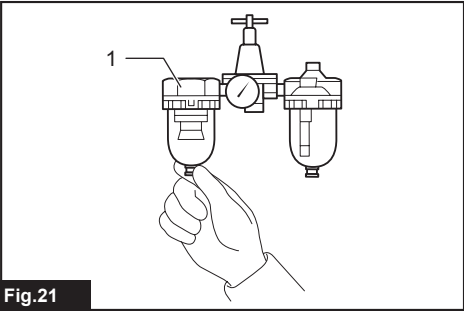
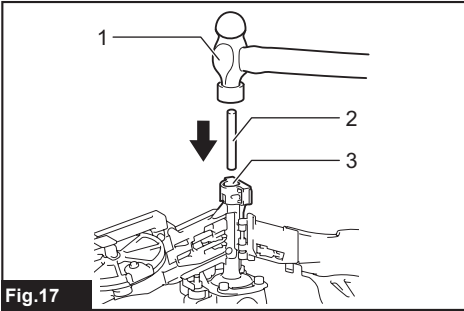
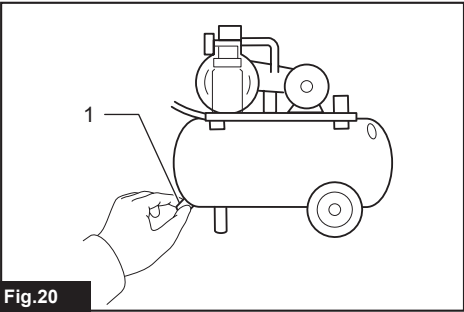
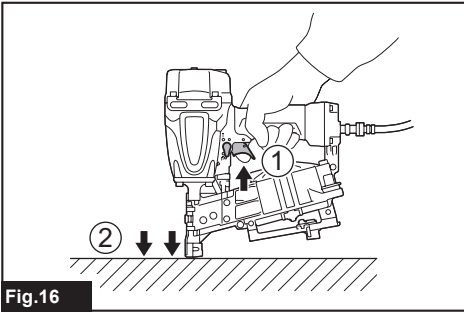
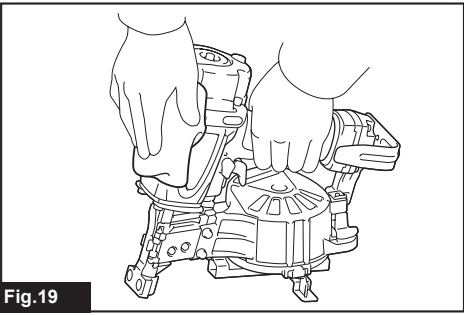
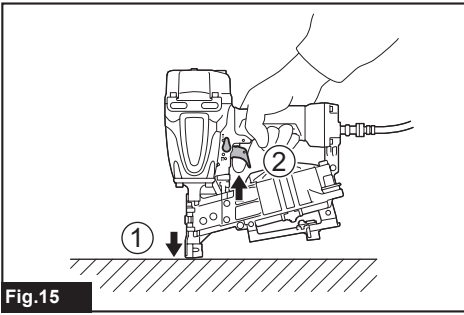
ПРЕДУПРЕДУВАЊЕ: Внимателно прочитајте ги упатствата и предупредувањата за овој алат пред употреба. Во спротивно, може да дојде до сериозна повреда.

UPOZOREŃE: Paźljivo przeczytajcie upustwa i upozoreŃa za ovaj alat pre koriŃszenia. U suprotnom moze da dojde do ozbiljne powrede.

ОСТОРОЖНО: Перед использованием инструмента внимательно ознакомьтесь со всеми правилами безопасности и инструкциями. Несоблюдение данного требования может привести к серьезным травмам.







SPECIFICATIONS

Model:		AN454
Air pressure		0.49 - 0.83 MPa (4.9 - 8.3 bar)
Fastener	Type	Wire coil nails (roofing nails)
	Length	19 mm - 45 mm
	Diameter	3.05 mm
Nail capacity		120 pcs.
Pneumatic tool oil		ISO VG32 or equivalent
Minimum hose diameter		6.5 mm
Dimensions (L x W x H)		256 mm x 117 mm x 271 mm
Net weight		2.4 kg

- Due to our continuing program of research and development, the specifications herein are subject to change without notice.
- Specifications may differ from country to country.

Symbols

The following show the symbols used for the equipment. Be sure that you understand their meaning before use.



Read instruction manual.



Wear safety glasses.



Wear ear protection.



The tool has the capability of operating in contact actuation mode.



Do not use on scaffoldings, ladders.

Intended use

The tool is intended for the preliminary interior work such as fixing floor joists or common rafters and framing work in 2" x 4" housing.

The tool is for high-volume professional application only. Do not use it for any other purpose. It is not designed to drive fasteners directly on a hard surface like steel and concrete.

Noise

The typical A-weighted noise level determined according to ISO11148-13(EN12549):

Sound pressure level (L_{pA}) : 102 dB(A)

Sound power level (L_{WA}) : 113 dB (A)

Uncertainty (K) : 1.5 dB(A)

NOTE: The declared noise emission value(s) has been measured in accordance with a standard test method and may be used for comparing one tool with another.

NOTE: The declared noise emission value(s) may also be used in a preliminary assessment of exposure.

⚠ WARNING: Wear ear protection.

⚠ WARNING: The noise emission during actual use of the power tool can differ from the declared value(s) depending on the ways in which the tool is used especially what kind of workpiece is processed.

⚠ WARNING: Be sure to identify safety measures to protect the operator that are based on an estimation of exposure in the actual conditions of use (taking account of all parts of the operating cycle such as the times when the tool is switched off and when it is running idle in addition to the trigger time).

Vibration

The vibration total value determined according to

ISO11148-13(ISO8662-11):

Vibration emission (a_{hv}) : 5.7 m/s²

Uncertainty (K) : 1.5 m/s²

NOTE: The declared vibration total value(s) has been measured in accordance with a standard test method and may be used for comparing one tool with another.

NOTE: The declared vibration total value(s) may also be used in a preliminary assessment of exposure.

⚠️WARNING: The vibration emission during actual use of the power tool can differ from the declared value(s) depending on the ways in which the tool is used especially what kind of workpiece is processed.

⚠️WARNING: Be sure to identify safety measures to protect the operator that are based on an estimation of exposure in the actual conditions of use (taking account of all parts of the operating cycle such as the times when the tool is switched off and when it is running idle in addition to the trigger time).

EC Declaration of Conformity

For European countries only

The EC declaration of conformity is included as Annex A to this instruction manual.

SAFETY WARNINGS

Pneumatic nailer/stapler safety warnings

⚠️WARNING: Read all safety warnings and all instructions. Failure to follow the warnings and instructions may result in serious injury, electric shock and/or fire.

Save all warnings and instructions for future reference.

For personal safety and proper operation and maintenance of the tool, read this instruction manual before using the tool.

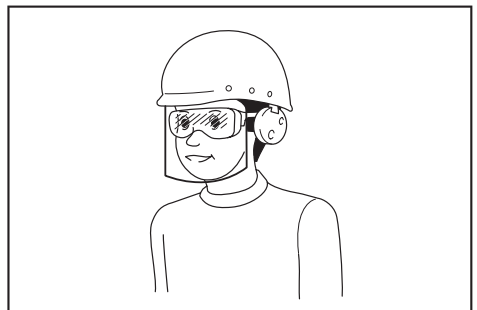
General safety

1. Any other use except for intended use of this tool is forbidden. Fastener driving tools with continual contact actuation or contact actuation shall only be used for production applications.
2. Keep fingers away from trigger when not operating this tool and when moving from one operating position to another.
3. Multiple hazards. Read and understand the safety instructions before connecting, disconnecting, loading, operating, maintaining, changing accessories on, or working near the tool. Failure to do so can result in serious bodily injury.
4. Keep all body parts such as hands and legs etc. away from firing direction and ensure fastener cannot penetrate workpiece into parts of the body.
5. When using the tool, be aware that the fastener could deflect and cause injury.
6. Hold the tool with a firm grasp and be prepared to manage recoil.
7. Only technically skilled operators should use the fastener driving tool.

8. Do not modify the fastener driving tool. Modifications may reduce the effectiveness of safety measures and increase the risks to the operator and/or bystander.
9. Do not discard the instruction manual.
10. Do not use a tool if the tool has been damaged.
11. Be careful when handling fasteners, especially when loading and unloading, as the fasteners have sharp points which could cause injury.
12. Always check the tool before use for broken, misconnected or worn parts.
13. Do not overreach. Only use in a safe working place. Keep proper footing and balance at all times.
14. Keep bystanders away (when working in an area where there is a likelihood of through traffic of people). Clearly mark off your operating area.
15. Never point the tool at yourself or others.
16. Do not rest your finger on the trigger when picking up the tool, moving between operating areas and positions or walking, as resting finger on trigger can lead to inadvertent operation. For tools with selective actuation, always check the tool before use to ascertain the correct mode is selected.
17. Only wear gloves that provide adequate feel and safe control of triggers and any adjusting devices.
18. When resting the tool, lay it down on the flat surface. If you use the hook equipped with the tool, hook the tool securely on the stable surface.
19. Do not operate when under the influence of alcohol, drugs or the like.

Projectile hazards

1. The fastener driving tool shall be disconnected when unloading fasteners, making adjustments, clearing jams or changing accessories.
2. During operation be careful that fasteners penetrate material correctly and cannot be deflected/misfired towards operator and/or any bystanders.
3. During operation, debris from workpiece and fastening/collation system may be discharged.
4. Always wear protective goggles to protect your eyes from injury when using power tools. The goggles must comply with ANSI Z87.1 in the USA, EN 166 in Europe, or AS/NZS 1336 in Australia/New Zealand. In Australia/New Zealand, it is legally required to wear a face shield to protect your face, too.



It is an employer's responsibility to enforce the use of appropriate safety protective equipments by the tool operators and by other persons in the immediate working area.

5. The risks to others shall be assessed by the operator.
6. Be careful with tools without workpiece contact as they can be fired unintentionally and injure operator and/or bystander.
7. Ensure tool is always safely engaged on the workpiece and cannot slip.
8. Wear hearing protection to protect your ears against exhaust noise and head protection. Also wear light but not loose clothing. Sleeves should be buttoned or rolled up. No necktie should be worn.

Operating hazards

1. Hold the tool correctly: be ready to counteract normal or sudden movements such as recoil.
2. Maintain a balanced body position and secure footing.
3. Appropriate safety glasses shall be used and appropriate gloves and protective clothing are recommended.
4. Appropriate hearing protection shall be worn.
5. Use the correct energy supply as directed in the instruction manual.
6. Do not use the tool on moving platforms or back of trucks. Sudden movement of the platform may lose control of the tool and cause injury.
7. Always assume that the tool contains fasteners.
8. Do not rush the job or force the tool. Handle the tool carefully.
9. Watch your footing and maintain your balance with the tool. Make sure there is no one below when working in high locations, and secure the air hose to prevent danger if there is sudden jerking or catching.
10. On rooftops and other high locations, drive fasteners as you move forward. It is easy to lose your footing if you drive fasteners while inching backward. When driving fasteners against perpendicular surface, work from the top to the bottom. You can perform driving operations with less fatigue by doing so.
11. A fastener will be bent or the tool can become jammed if you mistakenly drive fastener on top of another fastener or strike a knot in the wood. The fastener may be thrown and hit someone, or the tool itself can react dangerously. Place the fasteners with care.
12. Do not leave the loaded tool or the air compressor under pressure for a long time out in the sun. Be sure that dust, sand, chips and foreign matter will not enter the tool in the place where you leave it setting.
13. Never attempt to drive fasteners from both the inside and outside at the same time. Fasteners may rip through and/or fly off, presenting a grave danger.

Repetitive motions hazards

1. When using a tool for long periods, the operator may experience discomfort in the hands, arms, shoulders, neck, or other parts of the body.
2. While using a tool, the operator should adopt a suitable but ergonomic posture. Maintain secure footing and avoid awkward or off-balanced postures.
3. If the operator experiences symptoms such as persistent or recurring discomfort, pain, throbbing, aching, tingling, numbness, burning sensation, or stiffness, do not ignore these warning signs. The operator should consult a qualified health professional regarding overall activities.
4. The continuous use of the tool may cause repetitive strain injury due to recoil produced by the tool.
5. To avoid repetitive strain injury, the operator should not overreach or use excessive force. Additionally, the operator should take a rest when feeling fatigue.
6. Conduct a risk assessment regarding repetitive motion hazards. It should focus on muscular-skeletal disorders and be preferentially based on the assumption that decreasing fatigue during work is effective in reducing disorders.

Accessory and consumable hazards

1. Disconnect the energy supply to the tool, such as air or gas or battery as applicable, before changing/replacing accessories such as workpiece contact, or making any adjustments.
2. Use only the sizes and types of accessories that are provided by the manufacturer.
3. Use only lubricants recommended in this manual.

Workplace hazards

1. Slips, trips and falls are major causes of workplace injury. Be aware of slippery surfaces caused by use of the tool and also of trip hazards caused by the air line hose.
2. Proceed with additional care in unfamiliar surroundings. Hidden hazards may exist, such as electricity or other utility lines.
3. This tool is not intended for use in potentially explosive atmospheres and is not insulated from coming into contact with electric power.
4. Make sure there are no electrical cables, gas pipes etc. that could cause a hazard if damaged by use of the tool.
5. Keep work area clean and well lit. Cluttered or dark areas invite accidents.
6. There may be local regulations concerning noise which must be complied with by keeping noise levels within prescribed limits. In certain cases, shutters should be used to contain noise.

Dust and exhaust hazards

1. Always check your surroundings. The air exhausted from the tool may blow dust or objects and hit operator and/or bystanders.

2. Direct the exhaust so as to minimize disturbance of dust in a dust filled environment.
3. If dust or objects are emitted in the work area, reduce the emission as much as possible to reduce the health hazards and risk of injury.

Noise hazards

1. Unprotected exposure to high noise levels can cause permanent, disabling, hearing loss and other problems such as tinnitus (ringing, buzzing, whistling or humming in the ears).
2. Conduct a risk assessment regarding noise hazards in the work area and implement appropriate controls for these hazards.
3. Appropriate controls to reduce the risk may include actions such as damping materials to prevent workpieces from "ringing".
4. Use appropriate hearing protection.
5. Operate and maintain the tool as recommended in these instructions, to prevent an unnecessary increase in noise levels.
6. Take noise reduction measures, for example placing workpieces on sound damping supports.

Vibration hazards

1. The vibration emission during operation depends on the gripping force, the contact pressure force, the working direction, the adjustment of energy supply, the workpiece, the workpiece support. Conduct a risk assessment regarding vibration hazards and implement appropriate controls for these hazards.
2. Exposure to vibration can cause disabling damage to the nerves and blood supply of the hands and arms.
3. Wear warm clothing when working in cold conditions, keep your hands warm and dry.
4. If you experience numbness, tingling, pain or whitening of the skin in your fingers or hands, seek medical advice from a qualified occupational health professional regarding overall activities.
5. Operate and maintain the tool as recommended in these instructions, to prevent an unnecessary increase in vibration levels.
6. Hold the tool with a light, but safe, grip because the risk from vibration is generally greater when the grip force is higher.

Additional warnings for pneumatic tools

1. Compressed air can cause severe injury.
2. Always shut off air supply, and disconnect tool from air supply when not in use.
3. Always disconnect the tool from the compressed air supply before changing accessories, making adjustments and/or repairs, when moving away from an operating area to a different area.
4. Keep fingers away from trigger when not operating the tool and when moving from one operating position to another.
5. Never direct compressed air at yourself or anyone else.
6. Whipping hoses can cause severe injury. Always check for damaged or loose hoses or fittings.

7. Never carry a pneumatic tool by its hose.
8. Never drag a pneumatic tool by its hose.
9. When using pneumatic tools, do not exceed the maximum operating pressure ps max.
10. Pneumatic tools should only be powered by compressed air at the lowest pressure required for the work process to reduce noise and vibration, and minimize wear.
11. Using oxygen or combustible gases for operating pneumatic tools creates a fire and explosion hazard.
12. Be careful when using pneumatic tools as the tool could become cold, affecting grip and control.

Additional warnings for tools with contact actuation capability



1. Do not rest your finger on the trigger when picking up the tool, moving between operating areas and positions or walking, as resting finger on trigger can lead to inadvertent operation. For tools with selective actuation, always check the tool before use to ascertain the correct mode is selected.
2. This tool has either selective actuation for contact actuation or continuous contact actuation by actuation mode selectors or is a contact actuation or continuous actuation contact tool and has been marked with the symbol above. Its intended uses are for production applications such as pallets, furniture, manufactured housing, upholstery and sheathing.
3. If using this tool in selective actuation mode, always ensure it is in the correct actuation setting.
4. Do not use this tool in contact actuation for applications such as closing boxes or crates and fitting transportation safety systems on trailers and lorries.
5. Be careful when changing from one driving location to another.

Safety devices

1. Make sure all safety systems are in working order before operation. The tool must not operate if only the trigger is pulled or if only the contact arm is pressed against the wood. It must work only when both actions are performed. Test for possible faulty operation with fasteners unloaded and the pusher in fully pulled position.
2. Securing the trigger in the ON position is very dangerous. Never attempt to fasten the trigger.
3. Do not attempt to keep the contact element depressed with tape or wire. Death or serious injury may occur.
4. Always check contact element as instructed in this manual. Fasteners may be driven accidentally if the safety mechanism is not working correctly.

Service

1. **Perform cleaning and maintenance right after finishing the job.** Keep the tool in tip-top condition. Lubricate moving parts to prevent rusting and minimize friction-related wear. Wipe off all dust from the parts.
2. **Ask Makita authorized service center for periodical inspection of the tool.**
3. **To maintain product SAFETY and RELIABILITY, maintenance and repairs should be performed by Makita Authorized Service Centers, always using Makita replacement parts.**
4. Follow local regulations when disposing of the tool.

SAVE THESE INSTRUCTIONS.

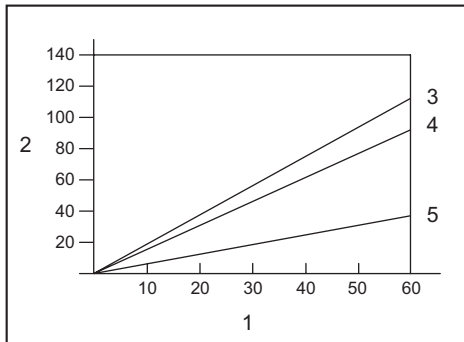
⚠WARNING: DO NOT let comfort or familiarity with product (gained from repeated use) replace strict adherence to safety rules for the subject product. MISUSE or failure to follow the safety rules stated in this instruction manual may cause serious personal injury.

PARTS DESCRIPTION

- Fig.1: 1. Trigger 2. Contact element 3. Actuation mode selector 4. Magazine 5. Hook

INSTALLATION

Selecting compressor



1. Nailing frequency (times/min) 2. Compressor air output per minute (L/min) 3. 0.83 MPa (8.3 bar) 4. 0.66 MPa (6.6 bar) 5. 0.49 MPa (4.9 bar)

The air compressor must comply with the requirements of EN60335-2-34.

Select a compressor that has ample pressure and air output to assure cost-efficient operation. The graph shows the relation between nailing frequency, applicable pressure and compressor air output.

Thus, for example, if nailing takes place at a rate of approximately 60 times per minute at a compression of 0.83 MPa (8.3 bar), a compressor with an air output over 110 liters/minute is required.

Pressure regulators must be used to limit air pressure to the rated pressure of the tool where air supply pressure exceeds the tool's rated pressure. Failure to do so may result in serious injury to tool operator or persons in the vicinity.

Selecting air hose

⚠CAUTION: Low air output of the compressor, or a long or smaller diameter air hose in relation to the nailing frequency may cause a decrease in the driving capability of the tool.

► Fig.2

Use an air hose as large and as short as possible to assure continuous, efficient nailing operation.

With an air pressure of 0.49 MPa (4.9 bar), an air hose with an internal diameter of over 6.5 mm and a length of less than 20 m is recommended when the interval between each nailing is 0.5 seconds. Air supply hoses shall have a minimum working pressure rating of 1.03 MPa (10.3 bar) or 150 percent of the maximum pressure produced in the system whichever is higher.

Lubrication

► Fig.3

To insure maximum performance, install an air set (oil, regulator, air filter) as close as possible to the tool. Adjust the oiler so that one drop of oil will be provided for every 30 nails.

When an air set is not used, oil the tool with pneumatic tool oil by placing 2 (two) or 3 (three) drops into the air fitting. This should be done before and after use. For proper lubrication, the tool must be fired a couple of times after pneumatic tool oil is introduced.

► Fig.4: 1. Pneumatic tool oil

FUNCTIONAL DESCRIPTION

CAUTION: Before adjusting or checking function on the tool, always release the trigger and disconnect the air hose from the tool.

Adjusting depth of nailing

CAUTION: Always release the trigger and disconnect the hose before adjusting the depth of nailing.

► **Fig.5:** 1. Adjuster

To adjust the depth of nailing, turn the adjuster. The depth of nailing is the deepest when the adjuster is turned fully in the A direction shown in the figure. It will become shallower as the adjuster is turned in the B direction.

If nails cannot be driven deep enough even when the adjuster is turned fully in the A direction, increase the air pressure.

If nails are driven too deep even when the adjuster is turned fully in the B direction, decrease the air pressure.

Generally speaking, the tool service life will be longer when the tool is used with lower air pressure and the adjuster set to deeper depth of nail driving.

Hook

CAUTION: Always release the trigger and disconnect the hose before changing the hook position.

CAUTION: Never hook the tool at high location or on potentially unstable surface.

CAUTION: Do not hang the hook from the waist belt. If the nailer accidentally drops, it may result in misfiring and personal injuries.

► **Fig.6**

► **Fig.7:** 1. Hook 2. Hex socket bolt 3. Hole

The hook is convenient for hanging the tool temporarily. To change the hook position, remove the hex socket bolt and switch the hook direction. The hook has two holes. Choose the hole depending on your preferable hook width.

Adjusting the shingle guide

► **Fig.8:** 1. Contact element 2. Shingle guide 3. Shingle

► **Fig.9:** 1. Adjusting plate 2. Lever

The shingle guide is designed for consistent shingle exposure.

Place shingle in desired position. Turn the lever to release the adjusting plate. Set the nailer so that the contact element will depress both the exposed shingle and previous row of the shingle. Slide the adjusting plate up against the bottom of the exposed shingle and return the lever to lock the adjusting plate.

ASSEMBLY

CAUTION: Before carrying out any work on the tool, always release the trigger and disconnect the air hose from the tool.

CAUTION: Load the same type, size and uniform length of nails when loading nails in the magazine.

Loading nailer

NOTICE: Select nails suitable for your work.

NOTICE: Set the coil support plate according to the nail size to be used. If the tool is operated with the coil support plate set to the wrong step, poor nail feed or malfunction of the tool may result.

1. Depress the latch lever and open the magazine cap.

► **Fig.10:** 1. Magazine cap 2. Latch lever

2. Lift and turn the coil support plate so that the arrow with nail size indicated on the coil support plate will point to the corresponding graduation increment marked on the magazine.

► **Fig.11:** 1. Coil support plate 2. Graduation 3. Arrow

3. Place the nail coil over the coil support plate. Uncoil enough nails to reach the feed claw. Place the first nail in the driver channel and the second nail in the feed claw. Place other uncoiled nails on feeder body. Close the magazine cap after checking to see that the nail coil is set properly in the magazine.

► **Fig.12:** 1. Feed Claw

Connecting air hose

CAUTION: Do not rest your finger on the trigger when connecting the air hose.

► **Fig.13:** 1. Air fitting 2. Air socket

Slip the air socket of the air hose onto the air fitting on the tool. Be sure that the air socket locks firmly into position when installed onto the air fitting.

A hose coupling must be installed on or near the tool in such a way that the pressure reservoir will discharge at the time the air supply coupling is disconnected.

OPERATION

CAUTION: Make sure all safety systems are in working order before operation.

Checking proper action before operation

Before operation, always check following points.

- Make sure that the tool does not operate only by connecting the air hose.
- Make sure that the tool does not operate only by pulling the trigger.
- Make sure that the tool does not operate only by placing the contact element against the workpiece without pulling the trigger.
- In single sequential actuation mode, make sure that the tool does not operate when pulling the trigger first and then placing the contact element against the workpiece.


Selecting the operation mode

CAUTION: Always make sure that the actuation mode selector is properly set to the position for the desired nailing mode before nailing.

► Fig.14: 1. Actuation mode selector


Single sequential actuation mode:

You can drive one nail by one sequential operation. Select this mode when driving a nail carefully and accurately.

To choose this mode, set the actuation mode selector to the  position.

Contact actuation mode:

You can drive nails repetitively by placing the contact element with the trigger held.

To choose this mode, set the actuation mode selector to the  position.

Single sequential actuation

CAUTION: Do not place the contact element against the workpiece with excessive force. Also, pull the trigger fully and hold it on for 1-2 seconds after nailing.

Even in the "Single sequential actuation" mode, half-pulled trigger causes an unexpected nailing, when the contact element re-contacts the workpiece.

Place the contact element against the workpiece and pull the trigger fully.

After nailing, release the contact element, and then release the trigger.

► Fig.15

Contact actuation



Pull the trigger first and then place the contact element against the workpiece.

► Fig.16

Removing jammed nails

CAUTION: Always release the trigger and disconnect the hose before removing jammed nails.

CAUTION: Do not use deformed nails or nail strip. Failure to do so causes poor nail feeding.

► Fig.17: 1. Hammer 2. Small rod 3. Ejection port

When the nailer becomes jammed, do as follows: Open the magazine cap and remove the nail coil. Insert a small rod or the like into the ejection port and tap it with a hammer to drive out the nail jamming from the ejection port. Reset the nail coil and close the magazine cap.

MAINTENANCE

CAUTION: Before attempting to perform inspection or maintenance, always release the trigger and disconnect the air hose from the tool.

NOTICE: Never use gasoline, benzine, thinner, alcohol or the like unless otherwise instructed in this manual. Discoloration, deformation or cracks may result.

Nails

Handle nail coils and their box carefully. If the nail coils have been handled roughly, they may be out of shape, causing poor nail feed.

Avoid storing nails in a very humid or hot place or place exposed to direct sunlight.

Cleaning and removal of tar and dirt

CAUTION: Always wear waterproof gloves to protect your hands.

Adhesion of tar and dirt to areas around the contact element will prevent smooth movement of the contact element (safety mechanism), causing accidental discharge. Periodically clean the areas around the contact element.

Use a solvent such as kerosene, #2 fuel oil or diesel fuel. Immerse only the contact element and the areas around the ejection port in solvent and remove tar and dirt with brush.

► Fig.18

NOTICE: Never immerse the housing, magazine, etc. in solvent. Malfunction of the tool may result.

NOTE: Always dispose of the solvent used in a safe and prudent manner and in compliance with all local and national code requirement.

Maintenance of nailer

Always check the tool for its overall condition and loose screws before operation. Tighten as required.

With tool disconnected, make daily inspection to assure free movement of the contact element and trigger. Do not use tool if the contact element or trigger sticks or binds.

When the tool is not to be used for an extended period of time, lubricate the tool using pneumatic tool oil and store the tool in a safe place. Avoid exposure to direct sunlight and/or humid or hot environment.

► Fig.19

Maintenance of compressor, air set and air hose

After operation, always drain the compressor tank and the air filter. If moisture is allowed to enter the tool, it may result in poor performance and possible tool failure.

► Fig.20: 1. Drain cock

► Fig.21: 1. Air filter

Check regularly to see if there is sufficient pneumatic tool oil in the oiler of the air set. Failure to maintain sufficient lubrication will cause O-rings to wear quickly.

► Fig.22: 1. Oiler 2. Pneumatic tool oil

Keep the air hose away from heat (over 60°C, over 140°F), away from chemicals (thinner, strong acids or alkalis). Also, route the hose away from obstacles which it may become dangerously caught on during operation. Hoses must also be directed away from sharp edges and areas which may lead to damage or abrasion to the hose.

To maintain product SAFETY and RELIABILITY, repairs, any other maintenance or adjustment should be performed by Makita Authorized or Factory Service Centers, always using Makita replacement parts.

OPTIONAL ACCESSORIES

⚠ CAUTION: These accessories or attachments are recommended for use with your Makita tool specified in this manual. The use of any other accessories or attachments might present a risk of injury to persons. Only use accessory or attachment for its stated purpose.

If you need any assistance for more details regarding these accessories, ask your local Makita Service Center.

- Nails
- Air hose
- Safety goggles

NOTE: Some items in the list may be included in the tool package as standard accessories. They may differ from country to country.

DANE TECHNICZNE

Model:		AN454
Ciśnienie powietrza		0,49–0,83 MPa (4,9–8,3 bar)
Element złączny	Typ	Gwoździe zwijane na rolce (gwoździe papowe)
	Długość	19–45 mm
	Średnica	3,05 mm
Pojemność magazynka		120 sztuk
Olej do narzędzi pneumatycznych		ISO VG32 lub odpowiednik
Minimalna średnica węża		6,5 mm
Wymiary (dług. x szer. x wys.)		256 mm × 117 mm × 271 mm
Masa netto		2,4 kg

- W związku ze stale prowadzonym przez naszą firmę programem badawczo-rozwojowym niniejsze dane mogą ulec zmianom bez wcześniejszego powiadomienia.
- Dane techniczne mogą różnić się w zależności od kraju.

Symbol

Poniżej pokazano symbole zastosowane na urządzeniu. Przed użyciem należy zapoznać się z ich znaczeniem.



Przeczytać instrukcję obsługi.



Nosić okulary ochronne.



Nosić ochronniki słuchu.



Narzędzie może pracować w trybie wbijania kontaktowego.



Nie używać na rusztowaniach, drabinach.

Przeznaczenie

Narzędzie to jest przeznaczone do prac we wnętrzach, takich jak mocowanie belek stropowych lub krokwi oraz konstrukcji szkieletowych z belek 2"×4".

Narzędzie jest przeznaczone do profesjonalnych zastosowań o dużej wartości przerobowej. Nie wolno go używać do żadnych innych celów. Narzędzie nie jest przeznaczone do wbijania gwoździ bezpośrednio na twardej powierzchni, takiej jak stal czy beton.

Hałas

Typowy równoważny poziom dźwięku A określony w oparciu o normę ISO11148-13(EN12549):
 Poziom ciśnienia akustycznego (L_{pA}): 102 dB(A)
 Poziom mocy akustycznej (L_{WA}): 113 dB (A)
 Niepewność (K): 1,5 dB(A)

WSKAZÓWKA: Deklarowana wartość emisji hałasu została zmierzona zgodnie ze standardową metodą testową i można ją wykorzystać do porównywania narzędzi.

WSKAZÓWKA: Deklarowaną wartość emisji hałasu można także wykorzystać we wstępnej ocenie narażenia.

⚠️ OSTRZEŻENIE: Nosić ochronniki słuchu.

⚠️ OSTRZEŻENIE: Poziom hałasu wytwarzanego podczas rzeczywistego użytkowania elektronarzędzia może się różnić od wartości deklarowanej w zależności od sposobu użytkowania narzędzia, a w szczególności od rodzaju obrabianego elementu.

⚠️ OSTRZEŻENIE: W oparciu o szacowane narażenie w rzeczywistych warunkach użytkowania należy określić środki bezpieczeństwa w celu zapewnienia ochrony operatora (uwzględniając wszystkie elementy cyklu działania, tj. czas, kiedy narzędzie jest włączone i kiedy pracuje na biegu jałowym, a także czas, kiedy jest włączone).

Drgania

Całkowita wartość poziomu drgań określona według ISO11148-13(ISO8662-11):
 Emisja drgań (a_h): 5,7 m/s²
 Niepewność (K): 1,5 m/s²

WSKAZÓWKA: Deklarowana wartość poziomu drgań została zmierzona zgodnie ze standardową metodą testową i można ją wykorzystać do porównywania narzędzi.

WSKAZÓWKA: Deklarowaną wartość poziomu drgań można także wykorzystać we wstępnej ocenie narażenia.

⚠️ OSTRZEŻENIE: Drgania wytwarzane podczas rzeczywistego użytkowania elektronarzędzia mogą się różnić od wartości deklarowanej w zależności od sposobu użytkowania narzędzia, a w szczególności od rodzaju obrabianego elementu.

⚠️ OSTRZEŻENIE: W oparciu o szacowane narażenia w rzeczywistych warunkach użytkowania należy określić środki bezpieczeństwa w celu zapewnienia ochrony operatora (uwzględniając wszystkie elementy cyklu działania, tj. czas, kiedy narzędzie jest wyłączone i kiedy pracuje na biegu jałowym, a także czas, kiedy jest włączone).

Deklaracja zgodności WE

Dotyczy tylko krajów europejskich

Deklaracja zgodności WE jest dołączona jako załącznik A do niniejszej instrukcji obsługi.

OSTRZEŻENIA DOTYCZĄCE BEZPIECZEŃSTWA

Ostrzeżenia dotyczące bezpieczeństwa dla gwoździarki pneumatycznej / zszywacza pneumatycznego

⚠️ OSTRZEŻENIE: Przeczytać wszystkie ostrzeżenia bezpieczeństwa i wszystkie instrukcje. Nieprzestrzeganie ostrzeżeń i instrukcji może doprowadzić do poważnych obrażeń, porażenia prądem elektrycznym i/lub pożaru.

Wszystkie ostrzeżenia i instrukcje należy zachować do wykorzystania w przyszłości.

Dla własnego bezpieczeństwa, a także w celu prawidłowej obsługi i konserwacji narzędzia należy przed rozpoczęciem użytkowania narzędzia przeczytać niniejszą instrukcję obsługi.

Ogólne zasady bezpieczeństwa

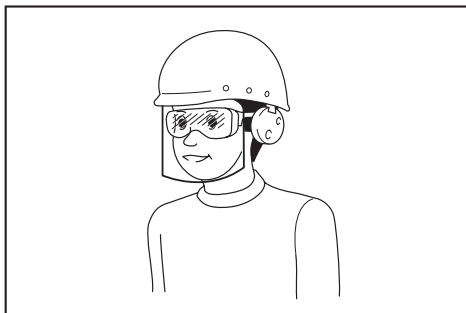
1. Dozwolone jest korzystanie z narzędzia wyłącznie zgodnie z jego przeznaczeniem. Narzędzia do wbijania elementów złącznych z ciągłym wbijaniem kontaktowym lub wbijaniem kontaktowym należy używać wyłącznie do zastosowań produkcyjnych.

2. Trzymać palce z dala od spustu, gdy narzędzie nie jest używane lub jest przenoszone z miejsca na miejsce.
3. Istnieją różnego rodzaju zagrożenia. Przed przystąpieniem do podłączania, odłączania, ładowania, obsługi, konserwacji, wymiany akcesoriów lub pracy w pobliżu narzędzia należy uważnie przeczytać instrukcje bezpieczeństwa. Nieprzestrzeganie powyższego zalecenia może prowadzić do poważnych obrażeń.
4. Wszystkie części ciała, w tym ręce i nogi, należy trzymać z daleka od kierunku wbijania. Należy też upewnić się, że element złączny nie przebijie obrabianego elementu w sposób grożący uszkodzeniem ciała.
5. Podczas korzystania z narzędzia należy pamiętać, że element złączny może odskoczyć i spowodować obrażenia.
6. Należy mocno trzymać narzędzie i przygotować się na odrzut.
7. Z narzędzia do wbijania elementów złącznych powinni korzystać jedynie operatorzy przeszkoleni technicznie.
8. Nie należy modyfikować narzędzia do wbijania elementów złącznych. Modyfikacje mogą zmniejszyć efektywność zabezpieczeń oraz zwiększyć ryzyko dla operatora i/lub osób postronnych.
9. Tą instrukcję obsługi należy zachować do wykorzystania w przyszłości.
10. Nie używać narzędzia, jeśli jest ono uszkodzone.
11. Zachować ostrożność w trakcie obchodzenia się z elementami złącznymi, zwłaszcza podczas ich ładowania i wyjmowania, ponieważ mają one ostre końcówki, które mogą spowodować obrażenia.
12. Przed przystąpieniem do pracy należy sprawdzić narzędzie pod kątem uszkodzonych, rozłączonych lub zużytych części.
13. Nie sięgać zbyt daleko. Używać narzędzia wyłącznie w bezpiecznym miejscu pracy. Zawsze stać na pewnym podłożu i utrzymywać równowagę.
14. Osoby postronne powinny zachować bezpieczny dystans (w miejscach, w których istnieje ryzyko ruchu takich osób). Obszar pracy należy oznaczyć w wyraźny sposób.
15. Nigdy nie należy kierować narzędzia w stronę siebie ani innych osób.
16. Podnosząc narzędzie, przenosząc je pomiędzy obszarami pracy i pozycjami lub chodząc, nie należy opierać palca o spust, ponieważ może to doprowadzić do niezamierzonego uruchomienia. W przypadku narzędzi z trybem wbijania selektywnego należy zawsze upewnić się, że włączony jest prawidłowy tryb.
17. Należy korzystać wyłącznie z rękawic, które zapewniają odpowiednie wycucie oraz bezpieczną kontrolę nad spustem i innymi urządzeniami regulacyjnymi.
18. Narzędzie należy odkładać na płaską powierzchnię. W przypadku korzystania z zaczepu dostarczonego wraz z narzędziem należy bezpiecznie zaczepiać narzędzie na stabilnych powierzchniach.

19. Nie wolno obsługiwać narzędzia, będąc pod wpływem alkoholu, narkotyków ani innych środków odurzających.

Obiekty wyrzucane z dużą siłą

1. Przed przystąpieniem do wyjmowania elementów złącznych, regulacji, usuwania zacięć albo zmiany akcesoriów należy odłączyć od zasilania narzędzie do wbijania elementów złącznych.
2. W trakcie pracy należy zwracać uwagę na to, czy elementy złączne poprawnie przebijają materiał i nie mogą odbić się/zostać niepoprawnie wystrzelone w stronę operatora oraz/lub osób postronnych.
3. W trakcie pracy od obrabianego materiału oraz systemu mocowania lub sortowania mogą być odrzucane odpadki.
4. Należy zawsze nosić okulary ochronne, aby zabezpieczyć oczy przed urazami podczas użytkowania elektronarzędzi. Okulary ochronne muszą spełniać wymagania normy ANSI Z87.1 w USA, EN 166 w Europie oraz AS/NZS 1336 w Australii/Nowej Zelandii. Przepisy prawne obowiązujące w Australii/Nowej Zelandii wymagają również obowiązkowego stosowania osłony twarzy.



Odpowiedzialność za egzekwowanie używania odpowiednich środków ochrony osobistej przez operatorów narzędzi oraz inne osoby przebywające w bezpośrednim sąsiedztwie obszaru roboczego ponosi pracodawca.

5. Operator musi ocenić stopień ryzyka dla osób postronnych.
6. Należy zachować ostrożność podczas obchodzenia się z narzędziami bez styku z obrabianym elementem, ponieważ mogą one wyrzucić w sposób niezamierzony i spowodować obrażenia ciała operatora oraz/lub osób postronnych.
7. Należy dbać o to, aby narzędzie było bezpiecznie oparte na obrabianym elemencie tak, żeby nie mogło się zesliznąć.
8. Należy nosić ochronniki słuchu zabezpieczające przed hałasem powodowanym przez sprężone powietrze, a także sprzęt ochrony głowy. Ponadto należy nosić lekką, ale nie luźną odzież. Rękawy powinny być związane lub podwinęte. Nie należy nosić krawata.

Ryzyko eksploatacyjne

1. **Narzędzie należy trzymać poprawnie, tak aby przygotować się na normalne i nagłe ruchy, takie jak odrzut.**
2. **Utrzymywać równowagę ciała i odpowiednią postawę.**
3. **Należy nosić odpowiednie okulary ochronne. Zalecane jest też korzystanie z odpowiednich rękawic i innego ubioru ochronnego.**
4. **Należy korzystać z odpowiednich ochronników słuchu.**
5. **Należy korzystać z właściwych źródeł zasilania zgodnie z instrukcją obsługi.**
6. **Nie należy używać narzędzia na poruszających się platformach ani w tylnej części wózków. Nagły ruch platformy może spowodować utratę kontroli nad narzędziem i doprowadzić do wystąpienia obrażeń ciała.**
7. **Należy zawsze zakładać, że w narzędziu znajdują się elementy złączne.**
8. **Nie należy wykonywać pracy pośpiesznie ani nie przeciążać narzędzia. Z narzędziem należy obchodzić się ostrożnie.**
9. **Podczas pracy z narzędziem należy zadbać o dobre oparcie dla nóg i utrzymywanie równowagi. Podczas pracy na wysokościach należy się upewnić, że na dole nie ma nikogo, a ponadto zabezpieczyć wąż pneumatyczny przed gwałtownymi ruchami.**
10. **Podczas pracy na dachach i innych wysokich miejscach elementy złączne należy wkręcać, posuwając się do przodu. Cofanie się podczas wkręcania elementów złącznych grozi utratą oparcia dla nóg. Podczas wkręcania elementów złącznych w pionową powierzchnię należy pracować od góry do dołu. W ten sposób wykonywana praca jest mniej męcząca.**
11. **Element złączny może zostać zgięty lub narzędzie może się zablokować w przypadku omyłkowego wkręcenia elementu złącznego w już wkręcony element złączny lub w sęk w drewnie. W takiej sytuacji element złączny może zostać wyrzucony i uderzyć w kogoś lub może wystąpić niebezpieczna reakcja narzędzia. Elementy złączne należy umieszczać z zachowaniem ostrożności.**
12. **Nie wolno pozostawiać na długi okres na słońcu załadowanego narzędzia ani znajdującej się po ciśnieniu sprężarki powietrza. Należy zadbać, aby do pozostawionego narzędzia nie przedostał się pył, piasek, wiórki ani inne ciała obce.**
13. **W żadnym wypadku nie należy wkręcać elementów złącznych równocześnie od wewnątrz i od zewnątrz. Elementy złączne mogą przebić się na wylot i/lub zostać wyrzucone w powietrze, stwarzając poważne niebezpieczeństwo.**

Ryzyko związane z cyklicznie powtarzanymi ruchami

1. **Używanie narzędzia przez długi czas może prowadzić do dyskomfortu w dłoniach, ramionach, barkach, szyi lub innych częściach ciała.**
2. **W trakcie pracy operator powinien przyjąć optymalną, ale jednocześnie ergonomiczną, postawę. Utrzymywać odpowiednią postawę i unikać zaburzenia równowagi ciała.**

3. Nie ignorować objawów takich, jak uporczywy lub nawracający dyskomfort, pulsujący ból, mrowienie, zdrętwienie, uczucie pieczenia czy zesztywnienie. Operator powinien skonsultować się z wykwalifikowanym pracownikiem służby zdrowia.
4. Przedłużające się korzystanie z narzędzia może prowadzić do urazów na skutek długotrwałego powtarzania czynności ze względu na odrzut narzędzia.
5. Aby uniknąć urazów naprężeniowych, operator nie powinien sięgać narzędziem na zbyt dużą odległość ani używać nadmiernej siły. Ponadto operator powinien odpocząć, gdy poczuje zmęczenie.
6. Należy przeprowadzić ocenę dotyczącą zagrożeń związanych z wykonywaniem powtarzalnych ruchów. Powinna ona w szczególności dotyczyć możliwości wystąpienia urazów mięśniowo-szkieletowych i jeśli to konieczne opierać się na założeniu, że odpowiedni odpoczynek w trakcie pracy skutecznie przyczynia się do zmniejszenia ryzyka występowania urazów.

Zagrożenia związane z akcesoriami i materiałami eksploatacyjnymi

1. Przed przystąpieniem do zmiany/wymiany akcesoriów, takich jak element stykający się z obrabianym materiałem, lub do regulacji narzędzia należy odłączyć źródło zasilania (np. powietrzem, gazem lub prądem).
2. Należy korzystać z rozmiarów i typów akcesoriów wskazanych przez producenta.
3. Używać tylko smarów zalecanych w tej instrukcji.

Zagrożenia związane z miejscem pracy

1. Poślizgnięcia, potknięcia i upadki są główną przyczyną urazów w miejscu pracy. Należy zwracać uwagę na śliskie powierzchnie występujące wskutek pracy z użyciem narzędzia oraz na ryzyko potknięcia się o wąż powietrza.
2. Szczególną ostrożność należy zachować w nieznanach miejscach pracy. Mogą być w nich obecne ukryte zagrożenia, takie jak przewody elektryczne.
3. Narzędzia nie należy używać w atmosferach potencjalnie wybuchowych i nie jest ono izolowane przed energią elektryczną.
4. Należy się upewnić, że w obszarze pracy nie ma żadnych przewodów elektrycznych, rur z gazem itp., które mogłyby stanowić zagrożenie po uszkodzeniu przez narzędzie.
5. W miejscu pracy należy utrzymywać czystość i zadbać o dobre oświetlenie. Nieporządek bądź słabe oświetlenie sprzyjają wypadkom.
6. Należy przestrzegać lokalnie obowiązujących przepisów dotyczących dopuszczalnych poziomów hałasu. W niektórych przypadkach w celu ograniczenia emisji hałasu należy stosować ruchome osłony.

Zagrożenia związane z kurzem i wydmuchem

1. Zawsze należy zwracać uwagę na otoczenie. Powietrze wydmuchiwane z narzędzia może zdmuchnąć kurz lub przedmioty, które mogą uderzyć operatora oraz/lub osoby postronne.

2. Wylot powietrza narzędzia należy kierować w taki sposób, aby nie powodować wzbijania pyłu w otoczeniu, w którym występuje duże zapylenie.
3. Jeśli w miejscu pracy wytwarzana jest duża ilość pyłu lub cząstek, należy ją możliwie jak najbardziej zredukować w celu zmniejszenia zagrożenia dla zdrowia i ryzyka wystąpienia obrażeń ciała.

Zagrożenia związane z hałasem

1. Narażenie na wysoki poziom hałasu bez ochronników słuchu może spowodować trwałą utratę słuchu oraz inne problemy, takie jak szumy uszne (dzwonienie, brzęczenie, piski lub trzaski w uszach).
2. Należy przeprowadzić ocenę dotyczącą zagrożeń związanych z występowaniem hałasu w miejscu pracy oraz wdrożyć odpowiednie środki kontroli tych zagrożeń.
3. Poziom hałasu można kontrolować w celu zmniejszenia ryzyka, na przykład poprzez korzystanie z materiałów wylumiających, które zapobiegają "dzwonieniu" obrabianego materiału.
4. Używać odpowiednich ochronników słuchu.
5. Aby zapobiec nadmiernej emisji hałasu, użytkować i konserwować narzędzie zgodnie z zaleceniami zawartymi w tej instrukcji.
6. Należy stosować środki mające na celu zmniejszenie natężenia generowanego hałasu, np. umieszczać obrabiany element na wspornikach tłumiących dźwięk.

Zagrożenia związane z drganiami

1. Ilość drgań powstających w trakcie korzystania z narzędzia zależy od siły chwytu, siły nacisku kontaktowego, kierunku pracy, regulacji źródła energii, obrabianego elementu i jego podparcia. Należy przeprowadzić ocenę dotyczącą zagrożeń związanych z występowaniem drgań i wdrożyć odpowiednie środki kontroli tych zagrożeń.
2. Narażenie na wibracje może stać się przyczyną porażenia nerwów i zaburzeń w dopływie krwi do kończyn górnych.
3. W zimnych warunkach należy nosić ciepłe ubranie i dbać, aby ręce były ciepłe i suche.
4. Jeśli pojawia się zdrętwienie, mrowienie, ból lub błądźliwość skóry palców albo dłoni, zasięgnij porady wykwalifikowanego eksperta BHP.
5. Aby zapobiec nadmiernej emisji drgań, użytkować i konserwować narzędzie zgodnie z zaleceniami zawartymi w tej instrukcji.
6. Narzędzie należy trzymać pewnie, ale jednocześnie lekko, ponieważ ryzyko związane z drganiami rośnie wraz z siłą nacisku.

Dodatkowe ostrzeżenia dotyczące pracy z narzędziami pneumatycznymi

1. Sprężone powietrze może spowodować poważne obrażenia.
2. Zawsze wyłączać źródło powietrza i odłączać od niego narzędzie, gdy nie jest używane.
3. Przed przystąpieniem do zmiany akcesorium, wprowadzenia zmian i/lub wykonania naprawy, a także przed przeniesieniem narzędzia w inne miejsce pracy, należy bezwzględnie odłączyć narzędzie od źródła sprężonego powietrza.

4. Trzymać palce z dala od spustu, gdy narzędzie nie jest używane lub jest przenoszone z miejsca na miejsce.
5. Sprężonego powietrza nie należy kierować na siebie ani żadną inną osobę.
6. Gwałtownie poruszający się wąż może spowodować poważne obrażenia. Węże i złączki należy sprawdzać pod kątem uszkodzeń i luzów.
7. Narzędzia pneumatycznego nie należy przenosić, trzymając je za wąż.
8. Narzędzia pneumatycznego nie należy ciągnąć za wąż.
9. W trakcie korzystania z narzędzi pneumatycznych nie należy przekraczać maksymalnego ciśnienia roboczego (ps max).
10. Narzędzia pneumatyczne powinny być zasilane wyłącznie przez sprężone powietrze o minimalnym ciśnieniu wymaganym do pracy, aby obniżyć hałas i drgania oraz zminimalizować zużycie.
11. Używanie tlenu i gazów łatwopalnych w narzędziach pneumatycznych wiąże się z zagrożeniem pożarem i wybuchem.
12. W trakcie korzystania z narzędzia pneumatycznego należy zachować ostrożność, ponieważ może ono stać się zimne, co wpływa na pewność chwytu i kontrolę nad narzędziem.

Dodatkowe ostrzeżenia dotyczące pracy z narzędziami posiadającymi funkcję wbijania kontaktowego



1. Podnosząc narzędzie, przenosząc je pomiędzy obszarami pracy i pozycjami lub chodząc, nie należy opierać palca o spust, ponieważ może to doprowadzić do niezamierzonego uruchomienia. W przypadku narzędzi z trybem wbijania selektywnego należy zawsze upewnić się, że włączony jest prawidłowy tryb.
2. To narzędzie może działać w trybie wbijania selektywnego w przypadku wbijania kontaktowego lub w trybie ciągłego wbijania kontaktowego wybieranego za pomocą selektora trybu. Może też być narzędziem pracującym w trybie kontaktowym lub ciągłym i zostało oznaczone powyższym symbolem. Narzędzie jest przeznaczone do zastosowań fabrycznych, na przykład przy produkcji palet, mebli, domów prefabrykowanych, mebli tapicerowanych oraz produktów z pokryciem.
3. Jeśli narzędzie ma być używane w trybie wbijania selektywnego, należy upewnić się, że wybrane jest odpowiednie ustawienie.
4. Narzędzia nie należy używać w trybie wbijania kontaktowego do zastosowań takich, jak zamykanie pudeł lub skrzyń ani do mocowania systemów zabezpieczeń transportowych na przyczepach i samochodach ciężarowych.
5. Należy zachować ostrożność przy zmianie miejsca wbijania.

Urządzenia zabezpieczające

1. **Przed przystąpieniem do pracy należy sprawdzić działanie wszystkich układów bezpieczeństwa.** Samo pociągnięcie za spust lub docięnięcie ramienia stykowego do drewna nie może włączyć narzędzia. Narzędzie musi się uruchamiać dopiero po wykonaniu obu tych czynności. Sprawdź prawidłowość działania narzędzia z rozkładanym magazynkiem i przy całkowicie wyciągniętym popychaczku.
2. **Bardzo niebezpieczne jest unieruchamianie spustu w położeniu włączenia.** W żadnym wypadku nie wolno tego robić.
3. **Nie wolno utrzymywać elementu stykowego w położeniu wciśniętym za pomocą taśmy lub drutu.** Może stać się to powodem poważnych obrażeń ciała lub śmierci.
4. **Element stykowy należy zawsze sprawdzać w sposób podany w niniejszej instrukcji.** Jeśli mechanizm zabezpieczający nie działa prawidłowo, wkręty mogą zostać wkręcone przypadkowo.

Serwis

1. **Bezpośrednio po zakończeniu pracy narzędzie należy wyczyścić i zakonserwować.** Narzędzie należy utrzymywać w idealnym stanie technicznym. Części ruchome należy smarować w celu zabezpieczenia przed korozją i ograniczenia do minimum zużycia ciernego. Części te należy całkowicie oczyścić z pyłu.
2. **Okresowe przeglądy narzędzia powinny być przeprowadzane przez autoryzowane centrum serwisowe firmy Makita.**
3. **W celu zachowania BEZPIECZEŃSTWA i NIEZAWODNOŚCI produktu konserwację i naprawy powinny być przeprowadzane przez autoryzowane punkty serwisowe firmy Makita, zawsze z użyciem oryginalnych części zamiennych firmy Makita.**
4. **Narzędzie należy zutilizować zgodnie z lokalnymi przepisami.**

ZACHOWAĆ NINIEJSZĄ INSTRUKCJĘ.

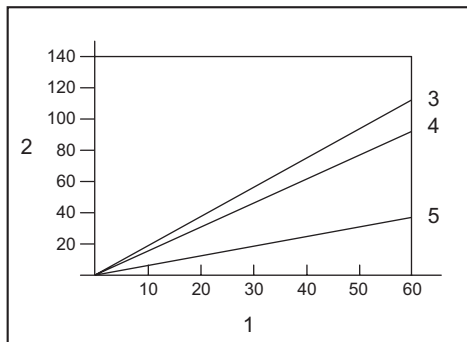
▲OSTRZEŻENIE: NIE WOLNO pozwolić, aby wygoda lub rutyna (nabyta w wyniku wielokrotnego używania urządzenia) zastąpiły ścisłe przestrzeganie zasad bezpieczeństwa obsługi. **NIEWŁAŚCIWE UŻYTKOWANIE** narzędzia lub niestosowanie się do zasad bezpieczeństwa podanych w niniejszej instrukcji obsługi może prowadzić do poważnych obrażeń ciała.

OPIS CZĘŚCI

- Rys.1: 1. Spust 2. Element kontaktowy 3. Selektor trybu 4. Magazynek 5. Zaczep

INSTALACJA

Wybór sprężarki



1. Częstotliwość wbijania gwoździ (razy/min)
2. Wydajność sprężarki powietrza na minutę (l/min)
3. 0,83 MPa (8,3 bar) 4. 0,66 MPa (6,6 bar) 5. 0,49 MPa (4,9 bar)

Sprężarka powietrza musi spełniać wymagania normy EN60335-2-34.

Aby zapewnić efektywną pracę, należy wybrać taką sprężarkę, która zagwarantuje wystarczające ciśnienie i wydajność sprężonego powietrza. Na wykresie widzimy zależność pomiędzy częstotliwością wbijania gwoździ, ciśnieniem roboczym i wydajnością sprężarki.

Jeśli np. chce się wbijać gwoździe z prędkością 60 razy na minutę z ciśnieniem 0,83 MPa (8,3 bar), potrzebna będzie sprężarka o wydajności 110 litrów powietrza na minutę.

Tam, gdzie ciśnienie zasilania przekracza ciśnienie znamionowe narzędzia, należy stosować reduktory ciśnienia. Zaniedbywanie tego może doprowadzić do poważnych wypadków, których ofiarami będą osoby obsługujące narzędzie oraz postronni.

Wybór węża pneumatycznego

PRZESTROGA: Niska wydajność sprężarki powietrza oraz długi i/lub cienki wąż pneumatyczny w połączeniu z wysoką częstotliwością wbijania gwoździ mogą spowodować obniżenie wydajności pracy narzędzia.

► Rys.2

Aby zapewnić ciągle, wydajne wbijanie gwoździ, należy stosować wąż powietrza o możliwie największej średnicy i możliwie jak najkrótszy.

Przy ciśnieniu wynoszącym 0,49 MPa (4,9 bar) zalecany jest wąż doprowadzający powietrze o średnicy wewnętrznej powyżej 6,5 mm i długości poniżej 20 m - przy założeniu, że odstęp między wbijaniem gwoździ wynosi 0,5 sekundy.

Przewody dostarczające powietrze charakteryzują się minimalnym ciśnieniem roboczym wynoszącym 1,03 MPa (10,3 bar) lub 150 procent maksymalnego ciśnienia wytwarzanego przez układ, w zależności od tego, co jest wyższe.

Smarowanie

► Rys.3

Aby uzyskać maksymalną wydajność, zespół przygotowania powietrza (to znaczy olejarkę, regulator i filtr powietrza) należy zamontować jak najbliżej narzędzia. Olejarkę trzeba wyregulować tak, aby podawała jedną kroplę oleju na każde 30 gwoździ.

Jeśli zespół przygotowania powietrza nie jest używany, narzędzia należy smarować olejem do narzędzi pneumatycznych, wpuszczając do wlotu powietrza dwie (2) do trzech (3) kropli takiego oleju. Należy wykonywać to przed przystąpieniem do pracy i po jej zakończeniu. Aby zapewnić prawidłowe smarowanie narzędzia, należy je kilka razy uruchomić po wypuszczeniu oleju do narzędzi pneumatycznych.

► Rys.4: 1. Olej do narzędzi pneumatycznych

OPIS DZIAŁANIA

PRZESTROGA: Przed przystąpieniem do regulacji narzędzia lub kontroli jego działania zawsze należy zablokować spust i odłączyć od narzędzia wąż powietrza.

Regulowanie głębokości wbijania gwoździ

PRZESTROGA: Przed ustawieniem głębokości wbijania gwoździ należy zawsze zwolnić spust i odłączyć wąż.

► Rys.5: 1. Regulator

Głębokość wbijania gwoździ ustawia się pokrętkiem regulacyjnym.

Głębokość wbijania jest największa po obróceniu pokrętła maksymalnie w kierunku A, jak pokazano na rysunku. Zmniejszenie głębokości następuje przez przekręcenie regulatora w kierunku B.

Jeżeli gwoździe nie są wbijane wystarczająco głęboko nawet wtedy, gdy pokrętło regulacyjne jest obrócone do oporu w kierunku A, należy zwiększyć ciśnienie powietrza.

W przypadku, gdy gwoździe są wbijane zbyt głęboko nawet wtedy, gdy pokrętło regulacyjne jest obrócone do oporu w kierunku B, należy zmniejszyć ciśnienie powietrza.

Zasadniczo trwałość narzędzia można zwiększyć, ustawiając niższe ciśnienie powietrza i większą głębokość wbijania.

Zaczep

⚠ PRZESTROGA: Przed zmianą położenia zaczepu należy zawsze zwolnić spust i odłączyć wąż.

⚠ PRZESTROGA: Nie wolno wieszać narzędzia wysoko lub na potencjalnie niestabilnej powierzchni.

⚠ PRZESTROGA: Nie wolno zawieszać zaczepu na pasku spodni. Jeśli gwoździarka zostanie przypadkowo upuszczona, może się przypadkowo uruchomić i spowodować obrażenia ciała.

► **Rys.6**

► **Rys.7:** 1. Zaczep 2. Śruba imbusowa 3. Otwór

Zaczep jest przydatny, aby na chwilę zawiesić narzędzie.

Aby zmienić pozycję zaczepu, należy odkręcić śrubę imbusową i przełączyć kierunek zaczepu. W zaczepie znajdują się dwa otwory. Wybór otworu zależy od pożądanej szerokości zaczepu.

Dopasowywanie prowadnicy gontu

► **Rys.8:** 1. Element kontaktowy 2. Prowadnica gontu 3. Gont

► **Rys.9:** 1. Płytką regulacyjną 2. Dźwignia

Prowadnica gontu służy do zapewnienia stałego odsłonięcia gontu.

Gont ustawić w żądanym położeniu. Obrócić dźwignię, aby zwolnić płytkę regulacyjną. Ustawić gwoździarkę tak, aby element kontaktowy dociskał zarówno odsłonięty, jak i poprzedni rząd gontu. Dosunąć płytkę regulacyjną do dolnej krawędzi odsłoniętego gontu i obrócić dźwignię w celu zablokowania płytki regulacyjnej.

MONTAŻ

⚠ PRZESTROGA: Przed przystąpieniem do prac przy narzędziu zawsze należy zablokować spust i odłączyć wąż powietrza od narzędzia.

⚠ PRZESTROGA: Do magazynka należy ładować gwoździe tego samego typu, a także tej samej grubości i długości.

Ładowanie gwoździarki

UWAGA: Należy wybierać gwoździe odpowiednie do danej pracy.

UWAGA: Płytkę podtrzymującą rolę należy dopasowywać do rozmiaru używanych gwoździ. Praca narzędzia z płytką podtrzymującą rolę ustawioną na zły skok może spowodować problemy z podawaniem gwoździ lub awarię.

1. Nacisnąć dźwignię zatrasku i otworzyć pokrywę magazynku.

► **Rys.10:** 1. Pokrywa magazynku 2. Dźwignia zatrasku

2. Podnieść i ustawić płytkę podtrzymującą rolę tak, aby strzałka z rozmiarem gwoździa na płytce wskazywała odpowiedni przyrost podziałki oznaczony na magazynku.

► **Rys.11:** 1. Płytką podtrzymującą rolę 2. Podziałka 3. Strzałka

3. Umieścić rolę gwoździ nad płytką podtrzymującą rolę. Odwinąć liczbę gwoździ potrzebną do osiągnięcia pazura podajnika. Umieścić pierwszy góźdź w kanale prowadnicy, a drugi w pazurze podajnika. Nieodwinięte gwoździe ułożyć na korpusie podajnika. Po sprawdzeniu prawidłowego ułożenia rolki gwoździ w magazynku, zamknąć pokrywę magazynka.

► **Rys.12:** 1. Pazur podajnika

Podłączanie węża pneumatycznego

⚠ PRZESTROGA: Podczas podłączania węża powietrza nie należy trzymać palca na spuście.

► **Rys.13:** 1. Złączka powietrza 2. Gniazdo powietrza

Nasunąć końcówkę węża powietrza na przyłącze wlotowe powietrza w narzędziu. Upewnić się, że końcówka prawidłowo zablokowała się na przyłączu.

Złącze węża musi być zamontowane na narzędziu lub blisko niego, tak aby rozładowanie ciśnienia w zbiorniku nastąpiło jednocześnie z odłączeniem doprowadzenia powietrza.

OBSŁUGA

⚠ PRZESTROGA: Przed przystąpieniem do pracy należy sprawdzić działanie wszystkich układów bezpieczeństwa.

Sprawdzanie prawidłowego działania przed rozpoczęciem pracy

Przed rozpoczęciem pracy zawsze należy sprawdzić następujące elementy.

- Upewnić się, że narzędzie nie uruchamia się wyłącznie poprzez podłączenie węża pneumatycznego.
- Upewnić się, że narzędzie nie uruchamia się wyłącznie poprzez pociągnięcie spustu.
- Upewnić się, że narzędzie nie uruchamia się wyłącznie poprzez przyłożenie końcówki kontaktowej do obrabianego materiału bez naciskania spustu.
- W trybie wbijania pojedynczego należy upewnić się, że narzędzie nie uruchamia się, gdy zostanie pociągnięty spust, a następnie końcówka kontaktowa zostanie przyłożona do obrabianego elementu.


Wybór trybu pracy

⚠ PRZESTROGA: Przed przystąpieniem do wbijania zawsze upewnić się, że selektor trybu jest ustawiony zgodnie z żądanym trybem wbijania.

► Rys.14: 1. Selektor trybu


Tryb wbijania pojedynczego:

Możliwe jest wbicie jednego gwoźdźdza w czasie jednej sekcencji. Wybrać ten tryb, gdy konieczne jest ostrożnie i dokładne wbicie gwoźdźdza.

Aby włączyć ten tryb, ustawić selektor trybu w położeniu .

Tryb wbijania kontaktowego:

Gwoździe można wbijać w sposób ciągły poprzez przyłożenie końcówki kontaktowej i jednoczesne trzymanie spustu.

Aby włączyć ten tryb, ustawić selektor trybu w położeniu .

Wbijanie pojedyncze

⚠ PRZESTROGA: Nie dociskać końcówki kontaktowej zbyt dużą siłą do obrabianego elementu. Pociągnąć spust do oporu i przytrzymać go przez 1–2 s po wbiciu gwoźdźdza.

Nawet w trybie wbijania pojedynczego spust pociągnięty do połowy powoduje nieoczekiwane wbicie gwoźdźdza, gdy końcówka kontaktowa dotknie ponownie obrabianego elementu.

Przyłożyć końcówkę kontaktową do obrabianego materiału i całkowicie pociągnąć za spustowy.

Po wbiciu gwoźdźdza zwolnić końcówkę kontaktową, a następnie zwolnić spust.

► Rys.15

Wbijanie kontaktowe



Najpierw pociągnąć za spust, a następnie przyłożyć końcówkę kontaktową do obrabianego elementu.

► Rys.16

Usuwanie zablokowanych gwoździ

⚠ PRZESTROGA: Przed przystąpieniem do usuwania zablokowanych gwoździ zawsze należy zablokować spust oraz odłączyć wąż.

⚠ PRZESTROGA: Nigdy nie używać odkształconych gwoździ ani odkształconego paska gwoździ. Nieprzestrzeżenie tej zasady może skutkować nieprawidłowym podawaniem gwoździ.

► Rys.17: 1. Młotek 2. Mały pręt 3. Otwór wylotowy

W razie zablokowania gwoździarki należy postępować w następujący sposób: Otworzyć pokrywę magazynku i wyjąć rolę gwoździ. Włożyć mały pręt lub podobne narzędzie do otworu wylotowego i uderzyć w niego młotkiem, aby usunąć zaklinowany gwoździe z otworu wylotowego. Włożyć z powrotem rolę gwoździ i zamknąć pokrywę magazynku.

KONSERWACJA

⚠ PRZESTROGA: Przed przystąpieniem do kontroli lub konserwacji narzędzia zawsze należy zablokować spust i odłączyć wąż powietrza od narzędzia.

UWAGA: Nie stosować benzyny, rozpuszczalników, alkoholu ani podobnych środków, o ile w instrukcji nie podano inaczej. Mogą one powodować odbarwienia, odkształcenia lub pęknięcia.

Gwoździe

Należy ostrożnie obchodzić się z rolkami gwoździ i ich opakowaniem. Niewłaściwe obchodzenie się z rolkami gwoździ może spowodować ich odkształcenie, co z kolei prowadzi do problemów z podawaniem.

Unikać przechowywania gwoździ w bardzo wilgotnym lub ciepłym miejscu i nie wystawiać ich na bezpośrednie działanie światła słonecznego.

Czyszczenie i usuwanie smoły oraz zabrudzeń

⚠ PRZESTROGA: Należy zawsze nosić wodoodporne rękawice chroniące dłonie.

Obklejenie elementu kontaktowego smolą i zabrudzeniami uniemożliwi płynny ruch elementu kontaktowego (mechanizmu zabezpieczającego), co spowoduje przypadkowe uruchomienie. Należy regularnie czyścić okolice elementu kontaktowego.

Do tego celu należy używać rozpuszczalników, takich jak nafta, olej opałowy #2 lub olej napędowy. W rozpuszczalniku można zanurzać jedynie element kontaktowy oraz okolice otworu wylotowego, usuwając przy tym smolę i zabrudzenia za pomocą szczotki.

► Rys.18

UWAGA: Nie wolno zanurzać w rozpuszczalniku obudowy, magazynka itp. Może to spowodować awarię narzędzia.

WSKAZÓWKA: Zużyty rozpuszczalnik należy zutylizować w bezpieczny i ostrożny sposób, przestrzegając lokalnych i krajowych przepisów w tym zakresie.

Konserwacja sztyfcarki

Przed przystąpieniem do pracy należy zawsze sprawdzić ogólny stan narzędzia i występowanie obluźwanych śrub. W razie potrzeby dokręcić obluźwane śruby.

Codziennie odłączać narzędzie i sprawdzać, czy spust i końcówka kontaktowa poruszają się bez oporów. Jeśli elementy te się zacinają, nie wolno używać narzędzia.

Kiedy narzędzie nie będzie używane przez dłuższy czas, należy je zakonserwować olejem do narzędzi pneumatycznych i schować w bezpiecznym miejscu. Unikać wystawiania narzędzia na promienie słońca oraz/lub wilgoci i wysoką temperaturę.

► Rys.19

Konserwacja sprężarki, zestawu pneumatycznego i węża

Po pracy należy zawsze opróżnić zbiornik sprężarki oraz filtr powietrza. Jeśli do narzędzia przedostanie się woda, może spowodować to słabe działanie narzędzia, a nawet jego uszkodzenie.

► **Rys.20:** 1. Kurek spustowy

► **Rys.21:** 1. Filtr powietrza

Należy systematycznie sprawdzać poziom oleju w olejarkie zestawu pneumatycznego. Niewystarczające smarowanie powoduje szybkie zużywanie się pierścieni O-ring.

► **Rys.22:** 1. Olejarka 2. Olej do narzędzi pneumatycznych

Wąż pneumatyczny należy trzymać z dala od źródeł ciepła (ponad 60°C (140°F)) oraz substancji chemicznych (rozcieńczalników, silnych kwasów i zasad). Wąż należy także prowadzić z dala od przeszkód, które mogą go niebezpiecznie blokować podczas pracy. Wąż nie może też stykać się z ostrymi krawędziami i przedmiotami powodującymi obcieranie i inne uszkodzenia.

W celu zachowania odpowiedniego poziomu BEZPIECZEŃSTWA i NIEZAWODNOŚCI produktu wszelkie naprawy i różnego rodzaju prace konserwacyjne lub regulacje powinny być przeprowadzane przez autoryzowany lub fabryczny punkt serwisowy narzędzi Makita, zawsze z użyciem oryginalnych części zamiennych Makita.

AKCESORIA OPCJONALNE

⚠ PRZESTROGA: Zaleca się stosowanie wymienionych akcesoriów i przystawek razem z narzędziem Makita opisanym w niniejszej instrukcji.

Stosowanie innych akcesoriów lub przystawek może być przyczyną obrażeń ciała. Akcesoria lub przystawki należy wykorzystywać tylko zgodnie z ich przeznaczeniem.

W razie potrzeby wszelkiej pomocy i szczegółowych informacji na temat niniejszych akcesoriów udzielić Państwu lokalne punkty serwisowe Makita.

- Gwoździe
- Wąż pneumatyczny
- Gogle ochronne

WSKAZÓWKA: Niektóre pozycje znajdujące się na liście mogą być dołączone do pakietu narzędziowego jako akcesoria standardowe. Mogą to być różne pozycje, w zależności od kraju.

RÉSZLETES LEÍRÁS

Típus:		AN454
Légnyomás		0,49 – 0,83 MPa (4,9 – 8,3 bar)
Kötőelem	Típus	Dróttal összefogott szegheveder (tetőfedő szegek)
	Hossz	19 mm – 45 mm
	Átmérő	3,05 mm
Szög kapacitás		120 db
Pneumatikus szerszámolaj		ISO VG32 vagy azzal egyenértékű
Minimális tömlőátmérő		6,5 mm
Méretek (H x Sz x M)		256 mm x 117 mm x 271 mm
Nettó tömeg		2,4 kg

- Folyamatos kutató- és fejlesztőprogramunk eredményeként az itt felsorolt tulajdonságok figyelmeztetés nélkül megváltozhatnak.
- A tulajdonságok országról országra különbözhetnek.

Jelképek

A következőkben a berendezésen használt jelképek láthatók. A szerszám használata előtt bizonyosodjon meg arról hogy helyesen értelmezi a jelentésüket.



Olvassa el a használati utasítást.



Viseljen védőszemüveget.



Viseljen fülvédőt.



A szerszám érintéses működtetésre is alkalmas.



Ne használja állványzatokon, létrákon.

Rendeltetés

A szerszám előkészítő belső munkák elvégzésére szolgál, úgymint a párnafák vagy szarufák rögzítése, és ácsolás 2" x 4" burkolatban. Az eszköz kizárólag nagy mennyiségben történő, professzionális felhasználásra lett tervezve. Más célra ne használja. Ne használja kötőelemek közvetlen belövésére olyan kemény felületeken, mint például az acél vagy a beton.

Zaj

A tipikus A-súlyozású zajszint, a ISO11148-13(EN12549) szerint meghatározva:
 Hangnyomásszint (L_{pA}): 102 dB(A)
 Hangteljesítményszint (L_{WA}): 113 dB (A)
 Bizonytalanság (K): 1,5 dB(A)

MEGJEGYZÉS: A zajkibocsátás értéke a szabványos vizsgálati eljárásnak megfelelően lett mérve, és segítségével az elektromos kéziszerszámok összehasonlíthatók egymással.

MEGJEGYZÉS: A zajkibocsátás értékének segítségével előzetesen megbecsülhető a rezgésnek való kitettség mértéke.

FIGYELMEZTETÉS: Viseljen fülvédőt!

FIGYELMEZTETÉS: A szerszám zajkibocsátása egy adott alkalmazásnál eltérhet a megadott értéktől a használat módjától, különösen a feldolgozott munkadarab fajtájától függően.

FIGYELMEZTETÉS: Határozza meg a kezelő védelmét szolgáló munkavédelmi lépéseket, melyek az adott munkafeltételek mellett vibrációs hatás becsült mértékén alapulnak (figyelembe véve a munkaciklus elemeit, mint például a gép leállításának és üresjáratának mennyiségét az elindítások száma mellett).

Vibráció

A vibráció ISO11148-13(ISO8662-11) szerint meghatározott összértéke:

Rezgéskibocsátás (a_h): 5,7 m/s²

Bizonytalanság (K): 1,5 m/s²

MEGJEGYZÉS: A rezgés teljes értéke a szabványos vizsgálati eljárásnak megfelelően lett mérve, és segítségével az elektromos kéziszerszámok összehasonlíthatók egymással.

MEGJEGYZÉS: A rezgés teljes értékének segítségével előzetesen megbecsülhető a rezgésnek való kitettség mértéke.

▲ FIGYELMEZTETÉS: A szerszám rezgés kibocsátása egy adott alkalmazásnál elérheti a megadott értéktől a használat módjától, különösen a feldolgozott munkadarab fajtájától függően.

▲ FIGYELMEZTETÉS: Határozza meg a kezelő védelmét szolgáló munkavédelmi lépéseket, melyek az adott munkafeltételek melletti vibrációs hatás becsült mértékén alapulnak (figyelembe véve a munkaciklus elemeit, mint például a gép leállításának és üresjáratának mennyiségét az elindítások száma mellett).

EK Megfelelőségi nyilatkozat

Csak európai országokra vonatkozóan

Az EK-megfelelőségi nyilatkozat az útmutató „A” mellékletében található.

BIZTONSÁGI FIGYELMEZTETÉS

Pneumatikus szegezőre/ tűzőgépre vonatkozó biztonsági figyelmeztetések

▲ FIGYELMEZTETÉS: Olvassa el az összes biztonsági figyelmeztetést és utasítást. Ha nem tartja be a figyelmeztetéseket és az utasításokat, az súlyos sérülést, áramütést és/vagy tüzet okozhat.

Őrizzen meg minden figyelmeztetést és utasítást a későbbi tájékozódás érdekében.

Személyes biztonsága és a szerszám megfelelő használata, illetve karbantartása érdekében a szerszám használatát előtt olvassa el ezt a kézikönyvet.

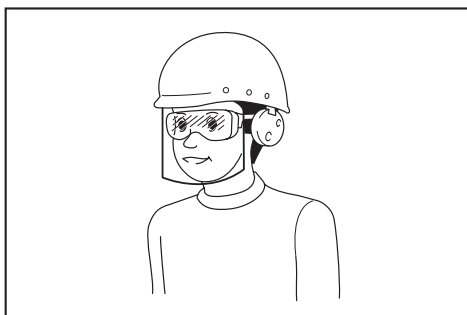
Általános biztonsági előírások

1. A rendeltetéstől eltérő használat tilos. Az érintéses vagy folyamatos érintéses működtetésű kötőelem-belövő szerszámok csak gyártási/előállítás munkálatokra használhatók.
2. Vegye le az ujját a kapcsológombról, ha nem működteti a szerszámot, és ha munkapozíciót változtat.
3. Veszélyforrások. Figyelmesen olvassa el a biztonsági utasításokat, mielőtt a szerszámot csatlakoztatja, lecsatlakoztatja, feltölti, működteti, karbantartja, tartozékait cseréli, vagy közelében munkát végez. Ennek elmulasztása súlyos testi sérüléshez vezethet.
4. Tartsa távol testrészeit (kéz, láb stb.) a kilőtt kötőelemek útjától, és biztosítsa, hogy a kilőtt elemek a munkadarabon esetlegesen ájtutva nem fűródnek testrészebe.
5. A szerszám használata során tartsa észben, hogy a kötőelemek visszaverődhetnek, mellyel sérülést okozhatnak.

6. Erősen tartsa a szerszámot, és készüljön fel arra, hogy a szerszám visszarúg.
7. A kötőelem-belövőt csak hozzáértő személyek használhatják.
8. Ne módosítsa a kötőelem-belövő szerszámot. A módosítások ronthatják a biztonsági funkciók hatékonyságát, tehát növelhetik a kezelő és a közelben lévőek sérülésének kockázatát.
9. Ne dobja ki a használati útmutatót.
10. Ne használja a szerszámot, ha az megsérült.
11. Óvatosan kezelje a kötőelemeket, különösen a betöltés és kivétel során, mert az éles pontjaik sérülést okozhatnak.
12. Mindig ellenőrizze, hogy a szerszám elemei sérülésmentesek, megfelelően csatlakoznak és nem használódtak el.
13. Ne hajoljon előre túlságosan. Csak biztonságos munkaterületen használja. Mindig megfelelően szilárd helyzetben és egyensúlya megtartásával dolgozzon.
14. Ne hagyja, hogy mások túl közel álljanak önhöz (ha olyan helyen dolgozik, ahol mások közlekednek). Egyértelműen jelölje a munkaterületet.
15. Soha ne tartsa a szerszámot másokra.
16. Ne helyezze ujját a kioldókapcsolóra a szerszám emelésekor, a munkaterületek közötti mozgás során, séta közben stb., mert ezzel véletlenül működésbe hozhatja a szerszámot. Állítható működtetésű szerszám esetén használat előtt mindig ellenőrizze, hogy a megfelelő üzemmód van-e kiválasztva.
17. Olyan munkakesztyűt viseljen, amely megfelelő, biztonságos kezelhetőséget nyújt a kioldókapcsoló működtetéséhez és az egyéb elemekhez.
18. Ha le szeretné tenni a szerszámot, válasszon ehhez sík felületet. Stabil felületet válasszon a szerszámra szerelt kampót alkalmazva is.
19. Alkohol, gyógyszerek és hasonló anyagok hatása alatt ne dolgozzon a szerszámmal.

Lövedékesveszély

1. A kötőelem-belövő szerszámot le kell csatlakoztatni az áramforrásról a kötőelemek betöltéséhez, a beállítások elvégzéséhez, az elakadások elhárításához és a tartozékok cseréjéhez.
2. Használat közben ügyeljen arra, hogy a kötőelemek megfelelően a munkadarabba jussanak, ne pattanhassanak vissza, és ne lökődhessenek a kezelő vagy más személy felé.
3. A használat során a munkadarabból és a rögzítérendszerekből törmelék keletkezhet.
4. Elektromos szerszámok használatakor mindig viseljen védőszemüveget a szem védelme érdekében. A szemüvegnek meg kell felelnie az ANSI Z87.1 szabványnak az Egyesült Államokban, az EN 166 szabványnak Európában, illetve az AS/NZS 1336 szabványnak Ausztráliában/Új-Zélandon. Ausztráliában/Új-Zélandon törvény írja elő az arcvédő használatát is, amely biztosítja az arc védelmét.



A munkaadó felelőssége, hogy a megfelelő biztonsági védőeszköz viselésére kötelezze a szerszám kezelőit és a közvetlen munkaterületen lévő más személyeket.

5. A kezelőnek fel kell mérnie a másokra irányuló veszély kockázatát.
6. Figyeljen oda a munkadarabbal nem érintkező szerszámokra, mert véletlenül működésbe hozva sérülést okozhatnak.
7. Figyeljen, hogy a szerszám stabilan a munkadarabra nehezedjen, ne csúszhasson le róla.
8. Használjon fülvédőt, hogy megóvja a hallását a zajtól munka közben, és hogy védje a fejét. Emellett viseljen könnyű, de nem laza ruházatot. Gombolja be, vagy tűrje fel a ruha ujját. Ne viseljen nyakkendőt.

Veszélyek a használat során

1. Megfelelően tartsa a szerszámot: legyen készen a várható és a váratlan mozgások (például visszarúgás) ellensúlyozására is.
2. Tartsa meg egyensúlyát, stabil állóhelyzetet vegyen fel.
3. Használjon megfelelő védőszemüveget, védőkesztyűt és védőruházatot.
4. Viseljen megfelelő fülvédő felszerelést.
5. A használati útmutató előírásainak megfelelő áramellátást használjon.
6. Ne használja az eszközt mozgó felületeken vagy teherautók hátsó részén. A felület hirtelen elmozdulása az eszköz feletti irányítás elvesztéséhez és sérüléshez vezethet.
7. Mindig ellenőrizze, hogy a szerszám nem tartalmaz-e kötőelemeket.
8. Ne siesse el a munkát, és ne fejtss ki túl nagy erőt a szerszámra. Odafigyelve kezelje a szerszámot.
9. Ha a szerszám a kezében van, ügyeljen a stabil testtartásra és az egyensúlyra megőrzésére. Ügyeljen arra, hogy senki ne tartózkodjon Ön alatt, amikor magas helyszíneken dolgozik, és biztosítsa a légtömlőt, nehogy hirtelen megrántsák, vagy beleakadjanak.
10. **Tetőkön és más magas helyszíneken előrefelé haladva lölje be a kötőelemeket.** Ha a kötőelem belövését hátrafelé haladva végzi, könnyen elveszítheti a biztos testtartást. Amikor függőleges felületbe lő be kötőelemeket, fentről lefelé haladjon. Így kisebb erőfeszítéssel végezheti el a kötőelem belövését.

11. Ha véletlenül egy másik kötőelem fejére lövi be a szeget vagy kapcsot, vagy görcsbe talál a fában, a kötőelem elhajlik, vagy a szerszámban elakadás fog kialakulni. A kötőelem elrepülhet és eltalálhat valakit, vagy maga a szerszám is veszélyesen reagálhat. A kötőelem belövését kellő körültekintéssel végezze el.
12. Ne hagyja a betöltött szerszámot vagy a nyomás alatt levő légsűrítőt hosszú ideig a tűző napon. Biztosítsa, hogy por, homok, forgács és más idegen anyagok ne kerülhessenek a szerszamba azon a helyen, ahol otthagya.
13. Soha ne próbálja a kötőelemeket egyszerre belülről és kívülről is belőni. A kötőelemek átszakíthatják a munkadarabot, esetleg kirepülhetnek, ezzel komoly veszélyt okozva.

Repetitív mozgásra vonatkozó kockázatok

1. A szerszámot huzamosabb ideig használva kellemetlen érzést tapasztalhat kezeiben, karjaiban, vállaiban, nyakában vagy más testrészeiben.
2. A használathoz vegyen fel kényelmes, ergonomikus pozíciót. Stabil állóhelyzetet vegyen fel, kerülje a kényelmetlen, kiegyensúlyozatlan pozíciókat.
3. Ha folyamatos vagy visszatérő kényelmetlenséget, lüktetést, fájdalmat, bizsergést, zsibbadást, égető érzést vagy merevséget érez, ne hagyja ezeket figyelmen kívül. Lépjen kapcsolatba egészségügyi szakértővel a tevékenységét illetően.
4. Folyamatos használat mellett a szerszám ismétlődő terheléses sérülést okozhat a visszarúgással.
5. Az ismétlődő terheléses sérülések elkerülése érdekében a kezelő ne hajoljon túlságosan előre és ne fejtss ki túl nagy erőt. Emellett, ha fáradtnak érzi magát, tartson pihenőt.
6. Végezzen kockázatfelmérést az ismétlődő mozdulatok veszélyeire vonatkozóan. Ennek középpontjában az izomzattal és csontozattal kapcsolatos zavarok álljanak, s azon feltételezésen alapuljon, hogy a munka során tapasztalható kimerülés mérséklésével csökkenthető az egészségügyi zavarok kialakulásának veszélye.

Tartozékokra és kellékanyagokra vonatkozó kockázatok

1. Mielőtt bármilyen tartozékot, például érintkezőelemet cserélne, vagy bármilyen beállítást módosítana, csatlakoztassa le a szerszámról az energiaellátást, például a levegőt, gázt vagy akkumulátort.
2. Csak a gyártó által biztosított tartozékmereteiket és tartozék típusokat használja.
3. Kizárólag a jelen kézikönyvben megadott kenőanyagokat használja.

Munkaterületet érintő kockázatok

1. A csúszások, botlások és esések a munkaterületek kockázatainak jelentős forrásai. Figyeljen a szerszám okozta csúszás felületekre, valamint a légtömlő helyzetére.
2. Az ismeretlen helyszínek a szokásosnál is nagyobb odafigyelést igényelnek. Rejtett veszélyforrások lehetnek jelen, például elektromos vezetékek és más hálózatok.

3. A szerszám nem használható robbanásveszélyes környezetben, és nem szabad, hogy elektromos árammal érintkezzen.
4. Ellenőrizze, hogy vannak-e sérülés esetén veszélyt jelentő elektromos kábelek, gázcsövek stb. a munkaterületen.
5. Tartsa tisztán a munkaterületet és ügyeljen a jó megvilágításra. A rendezetlen és sötét munkaterületek balesetet idézhetnek elő.
6. A zajszintre helyi előírások vonatkoznak, amelyeket minden esetben be kell tartani, a zaj szintjét pedig az előírt határérték alatt kell tartani. Bizonyos esetekben a zaj csökkentésére zajszigetelő redőnyöket kell használni.

Porra és kiáramlásra vonatkozó kockázatok

1. Mindig ellenőrizze környezetét. A szerszámból kiáramló levegő port és tárgyakat juttathat a levegőbe, amelyek érintkezhetnek a kezelővel és másokkal.
2. Poros környezetben úgy irányítsa az elszívót, hogy minimális csökkenjen a por zavaró hatása.
3. Ha por vagy tárgyak kerülnek a munkaterületre, az egészségügyi problémák és a sérülések kockázatának minimalizálása érdekében amennyire csak lehetséges, csökkentse a kibocsátást.

Zajra vonatkozó kockázatok

1. Megfelelő védelem nélkül a magas zajszint maradandó halláskárosodást és más problémákat is okozhat, például tinnitust (csengő, zúgó, füttyülő vagy bűgő hang a fülben).
2. Végezzen kockázatfelmérést a munkaterületen a káros zajhatásokra vonatkozóan, és hajtsa végre a szükséges intézkedéseket azok kordában tartásához.
3. A kockázatok megfelelően csökkenthetők többek között tompító anyagok lerakásával, amelyek megakadályozzák a munkadarabok vibrációját.
4. Használjon megfelelő hallásvédőt.
5. A használati útmutatóban foglaltaknak megfelelően használja és tartsa karban a készüléket, hogy elkerülhesse a zajszint felesleges emelkedését.
6. Tegyen a zaj csökkentésére irányuló lépéseket, pl. helyezze a munkadarabokat hangszigetelő tartóelemre.

Vibrációra vonatkozó kockázatok

1. A működés közben tapasztalható rezgés kibocsátást befolyásolja például a szorítás erőssége, a lenyomás erőssége, a szerszám iránya, az energiaellátás helyzete, a munkadarab és a munkadarab alátámasztása. Végezzen kockázatfelmérést a munkaterületen a rezgéssel járó veszélyekre vonatkozóan, és hajtsa végre a szükséges intézkedéseket azok kordában tartásához.
2. A rezgés károsíthatja az idegeket, és ronthatja a kéz és a karok ruhellátását.
3. Viseljen meleg ruházatot, ha hideg környezetben dolgozik; tartsa kezét melegen és szárazon.
4. Ha zsiabbadást, bizsergést, fájdalmat tapasztal, vagy ujjainak vagy kezének bőre elfehéredik, kérje ki egészségügyi szakérő tanácsát a tevékenységgel kapcsolatban.

5. A használati útmutatóban foglaltaknak megfelelően kezelje a szerszámot, hogy elkerülhesse a vibráció szintjének felesleges emelkedését.
6. Tartsa a szerszámot enyhé, de stabil szorításal, mert erősebb szorítás esetén a vibráció kockázatai jellemzően magasabbak.

További figyelmeztetések a pneumatikus szerszámokra vonatkozóan

1. A sűrített levegő súlyos sérüléseket okozhat.
2. Ha nem használja a szerszámot, mindig kapcsolja ki és csatlakoztassa le a szerszámról a levegőellátást.
3. Mindig válassza le a szerszámot a sűrített levegő-ellátásról, mielőtt tartozékot cserélné, beállítást módosítana vagy javítást végezne, valamint ha munkaterületet vált.
4. Ne tartsa az ujját a kioldókapcsolón, ha nem működteti a szerszámot, valamint ha munkaterületet vált.
5. Soha ne irányítsa saját maga vagy más személy felé a sűrített levegőt.
6. A tömlők súlyos sérüléseket okozhatnak. Mindig győződjön meg arról, hogy a tömlők nem sérültek és a rögzítések megfelelőek.
7. Soha ne szállítson pneumatikus szerszámot a tömlőjénél fogva.
8. Soha ne húzzon pneumatikus szerszámot a tömlőjénél fogva.
9. Figyeljen oda, hogy a használat során ne lépje túl a megengedett maximális nyomást.
10. A pneumatikus szerszámokat mindig a munkavégzéshez megfelelő legalacsonyabb légnyomással üzemeltesse a zajszint, a vibráció és az elhasználódás csökkentésének érdekében.
11. Az oxigénnel vagy gyúlékony gázokkal működtetett pneumatikus szerszámok tűz- és robbanásveszélyt jelentenek.
12. Legyen óvatos a pneumatikus szerszámok használatá során, mert a szerszámok hideggé válhatnak, amely hatással lehet a szorítás erősségére és a szerszám feletti uralomra.

További figyelmeztetések az érintéssel működtetett lehetővé tévő szerszámokra vonatkozóan



1. Ne helyezze ujját a kioldókapcsolóra a szerszám emelésekor, a munkaterületek közötti mozgás során, séta közben stb., mert ezzel véletlenül működésbe hozhatja a szerszámot. Állítható működtetésű szerszám esetén használat előtt mindig ellenőrizze, hogy a megfelelő üzemmód van-e kiválasztva.
2. A szerszám választható érintéssel működtetéssel vagy folyamatos érintéssel működtetéssel üzemeltethető működési kapcsoló segítségével, vagy érintéssel működtetésű vagy folyamatos érintéssel működtetésű szerszám, és a fenti szimbólummal látták el. Rendelése szerint előállított munkálatokra használható, például raklapokhoz, bútorokhoz, készházakhoz, kárpitozáshoz és burkoláshoz.

- Ha választható működtetésű üzemmódban használja a szerszámot, mindig ellenőrizze a működtetési beállítást.
- Ne használja a szerszámot érintéses működtetéssel például dobozok vagy ládák lezárásához, valamint közlekedési biztonsági rendszerek utánfutókra és teherautókra rögzítéséhez.
- Legyen óvatos, miközben munkapozíciót vált.

Biztonsági eszközök

- A használat előtt ellenőrizze, hogy minden biztonsági rendszer működőképes állapotban van-e. A szerszámnak nem szabad működésbe lépnie, ha csak a kioldókapcsoló van behúzva, de az érintkező kar nem nyomódik hozzá a fához, vagy vica versa. Csak akkor szabad működnie, ha mindkét művelet egyszerre megtörténik. Ellenőrizze a lehetséges hibás működést kötőelemek nélkül, a tolorúd teljesen kihúzott helyzetében.
- A kioldókapcsoló BE pozícióban való rögzítése nagyon veszélyes. Soha ne rögzítse a kioldókapcsolót.
- Ne próbálja a kapcsoló érintkező elemét ragasztószalaggal vagy huzallal lenyomva tartani. Ez súlyos vagy akár halálos sérüléshez is vezethet.
- Mindig ellenőrizze az érintkező elemet, a kézikönyvben leírt módon. Ha a biztonsági szerkezet nem működik megfelelően, akkor a kötőelemek behajtása véletlenül is megtörténhet.

Szerviz

- A munka végeztével azonnal végezze el a karbantartást és a tisztítást. Tartsa a szerszámot kifogástalan állapotban. Kenje meg a mozgó alkatrészeket, ezzel megvédvé azokat a rozsdásodástól, illetve ezzel minimalizálhatja a sűrűdésből adódó kopást. Törölje le az összes port az alkatrészekről.
- A szerszám rendszeres ellenőrzésétében forduljon a Makita hivatalos szervizközpontjához.
- A termék BIZTONSÁGÁNAK és MEGBÍZHATÓSÁGÁNAK fenntartása érdekében a karbantartást és a javításokat a Makita hivatalos szervizközpontjában kell elvégezni, melynek során kizárólag Makita cserealkatrészek használhatók fel.
- A szerszám eltávolításához kövesse a helyi szabályokat.

ŐRIZZE MEG EZEKET AZ UTASÍTÁSOKAT.

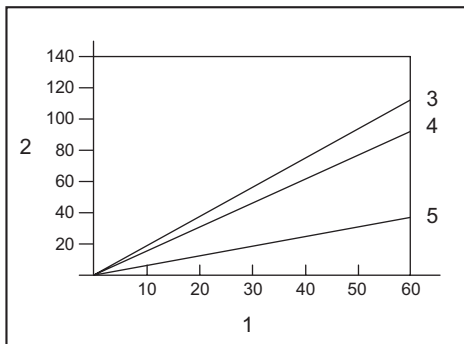
▲ FIGYELMEZTETÉS: NE HAGYJA, hogy (a termék többszöri használatából eredő) kényelem és megszokás váltsa fel a termék biztonsági előírásainak szigorú betartását. A **HELYTELEN HASZNÁLAT** és a használati útmutatóban szereplő biztonsági előírások megszegése súlyos személyi sérülésekhez vezethet.

A SZERSZÁM RÉSZEI

- **Ábra1:** 1. Kioldókapcsoló 2. Érintkezőelem
3. Működtetési mód választó 4. Tár
5. Akasztó

TELEPÍTÉS

A légsűrítő kiválasztása



1. Szegezési frekvencia (db/min) 2. Légsűrítő légteljesítménye percenként (l/min) 3. 0,83 MPa (8,3 bar)
4. 0,66 MPa (6,6 bar) 5. 0,49 MPa (4,9 bar)

A légsűrítőnek meg kell felelnie az EN60335-2-34 előírásainak.

Olyan légsűrítőt válasszon, amely elegendő nyomást és légteljesítményt biztosít a gazdaságos működtetéshez. Az ábrán látható a szegezési frekvencia, az alkalmazható nyomás és a légsűrítő légteljesítménye közötti kapcsolat.

Így például, ha a szegebelővés körülbelül 60 alkalommal történik percenként 0,83 MPa (8,3 bar) nyomáson, akkor egy olyan légsűrítő szükséges, aminek a légteljesítménye 110 liter/perc felett van.

Nyomásszabályozókat kell használni a légnyomás korlátozásához a szerszám névleges nyomására ott, ahol a levegőellátás nyomása túllépi a szerszám névleges nyomását. Ennek elmulasztása a szerszám üzemeltetője vagy a közelben tartózkodó személyek komoly sérüléséhez vezethet.

Légtömlő kiválasztása

▲ VIGYÁZAT: A légsűrítő alacsony légteljesítménye, illetve a szegezési frekvenciához képest hosszú vagy kisebb átmérőjű légtömlő a szerszám behajtási kapacitásának csökkenését okozhatja.

► Ábra2

Olyan nagy és rövid légtömlőt használjon, amelyet csak lehetséges, hogy biztosítani tudja a folyamatos, hatékony szegezési műveletet.

0,49 MPa (4,9 bar) légnyomás mellett, 0,5 másodperc szegezések közötti szünet esetén 6,5 mm fölötti belső átmérőjű és 20 m-nél rövidebb légtömlő javasolt.

A levegőellátást biztosító tömlők minimális munkanyomásának 1,03 MPa-nak (10,3 bar) vagy a rendszerben termelt maximális nyomás 150%-ának kell lennie.

Kenés

► Ábra3

A maximális teljesítmény biztosítása érdekében szereljen fel egy levegő-előkészítő szerelvényt (olajozó, szabályozó, légszűrő) minél közelebb a szerszámhoz. Állítsa be az olajozót úgy, hogy egy csepp olaj kerüljön továbbításra minden 30 szegre.

Ha nem használ levegő-előkészítő szerelvényt, akkor olajozza meg a szerszámot pneumatikus szerszám-olajjal úgy, hogy 2 (kettő) vagy 3 (három) csepp olajat cseppent a levegő bekötésére szolgáló csatlakozószerelevénybe. Ezt használat előtt és után is meg kell tenni. A megfelelő kenés érdekében a szerszámot a pneumatikus szerszámolaj alkalmazása után néhányszor el kell sütni.

► **Ábra4:** 1. Pneumatikus szerszámolaj

A MŰKÖDÉS LEÍRÁSA

⚠ VIGYÁZAT: A szerszám beállítása vagy működésének ellenőrzése előtt mindig tegye alaphelyzetbe a kioldókapcsolót és válassza le a légtömölőt.

A szegelési mélység beállítása

⚠ VIGYÁZAT: A szegelési mélység beállítása előtt mindig engedje el a kioldókapcsolót, és válassza le a légtömölőt.

► **Ábra5:** 1. Szabályozó

A szegelési mélység beállításához forgassa el a beállítót.

A szegelési mélység akkor a legnagyobb, amikor a beállító teljesen az A irányba van csavarva az ábrán látható módon. Ha a beállítót a B irányba forgatják, a mélység kisebb lesz.

Növelje a légnyomást, ha a szögeket teljesen az A irányba csavart beállítással sem lehet a megfelelő mélységbe juttatni.

Csökkentse a légnyomást, ha a szögek teljesen a B irányba csavart beállítással is túl mélyre kerülnek.

Általában elmondható, hogy a szerszám élettartama hosszabb lesz, ha alacsonyabb légnyomással használják és a beállítót kisebb szegelővási mélységre állítják.

Akasztó

⚠ VIGYÁZAT: Az akasztó helyzetének megváltoztatása előtt mindig engedje el a kioldókapcsolót és válassza le a tömlőt.

⚠ VIGYÁZAT: Soha ne akassza a szerszámot magas helyre vagy nem teljesen stabil felületre.

⚠ VIGYÁZAT: Ne akassza a nadrágszíjára. Ha a szegező véletlenül leesne, akár el is sülhet, személyi sérülést okozva ezzel.

► Ábra6

► **Ábra7:** 1. Akasztó 2. Imbuszcsavar 3. Furat

Az akasztó a szerszám ideiglenes felakasztására használható.

Az akasztó helyzetének módosításához távolítsa el az imbuszcsavart és változtassa meg az akasztó irányát. Az akasztón két furat van. Válassza ki a furatot a kívánt akasztószélesség függvényében.

A zszindelyvezető beállítása

► **Ábra8:** 1. Érintkezőelem 2. Zszindelyvezető 3. Zszindely

► **Ábra9:** 1. Beállítólemez 2. Kar

A zszindelyvezetőt állandó zszindely expozícióhoz készült.

Helyezze a zszindelyt a kívánt helyre. Fordítsa el a kart a beállítólemez elengedéséhez. Állítsa be a szegezőt úgy, hogy az érintkezőelem mind a külső zszindelyt, mind az előző sor zszindelyt lenyomja. Csúsztassa a beállítólemezt a külső zszindely aljához és helyezze vissza a kart a beállítólemez rögtítéséhez.

ÖSSZESZERELÉS

⚠ VIGYÁZAT: Mielőtt bármilyen munkát végezne a szerszámon, mindig tegye alaphelyzetbe a kioldókapcsolót és vegye le a légtömölőt.

⚠ VIGYÁZAT: Mindig ugyanolyan fajtájú, méretű és hosszúságú szögeket töltsön be.

A szegező betöltése

MEGJEGYZÉS: Válassza ki a munkához megfelelő szögeket.

MEGJEGYZÉS: Állítsa be a heveder tartólemezt a használandó szegméret szerint. Ha a szerszámot rossz lépésköze beállított heveder tartólemezzel működtetjük, az rossz szegadagolást vagy a szerszám meghibásodását okozhatja.

1. Nyomja le a biztosítókart, majd nyissa ki a tár fedelét.

► **Ábra10:** 1. Tár fedele 2. Biztosítókár

2. Emelje fel és forgassa el a szegheveder tartólemezt úgy, hogy a heveder tartólemezen feltüntetett szegmérethez vonatkozó nyíl a táron feltüntetett megfelelő átméretezési fokozatra mutasson.

► **Ábra11:** 1. Heveder tartólemez 2. Beosztás 3. Nyíl

3. Helyezze a szeghevedert a heveder tartólemez felé. Tekerjen le annyi szegget, hogy az elérjen az adagolóválig. Helyezze az első szegget a vezetőcsatornába, a második szegget pedig az adagolóválig. Helyezze a többi lecsavart szegget az adagolóra. Zárja be a tár fedelét, miután ellenőrizte, hogy a szegheveder megfelelően van-e a tárbán.

► **Ábra12:** 1. Adagolóvilla

A légtömlő csatlakoztatása

⚠ VIGYÁZAT: Ne tartsa az ujját a ravaszon, amikor csatlakoztatja a légtömlőt.

- **Ábra13:** 1. Levegő bekötésére szolgáló szerelvény
2. Légtömlő csatlakozó

Csúsztassa a légtömlő csatlakozóját a tűzőgép levegő bekötésére szolgáló szerelvényére. Ellenőrizze, hogy a csatlakozó szilárdan illeszkedik-e a helyére, amikor fel van szerelve a szerelvényre.

A tömlőcsatlakozást annak figyelembe vételével kell a szerszámra vagy annak közelébe felszerelni, hogy a nyomástartály kiürüljön a levegőellátás szétcsatlakoztatásakor.

MŰKÖDTETÉS

⚠ VIGYÁZAT: A használat előtt ellenőrizze, hogy minden biztonsági rendszer működőképes állapotban van-e.

Működés ellenőrzése használat előtt

Használat előtt mindig ellenőrizze az alábbi pontokat.

- Győződjön meg róla, hogy a szerszám pusztán a légtömlő csatlakoztatásának hatására nem működik.
- Győződjön meg róla, hogy a szerszám pusztán a gázgomb meghúzására nem működik.
- Győződjön meg róla, hogy a szerszám pusztán az érintkező elem munkadarabra helyezését (a gázgomb meghúzása nélkül) nem működik.
- Győződjön meg róla, hogy egyszeri szekvenciális működtetés esetén a szerszám nem működik, ha először a gázgombot húzza meg, és ezután helyezi az érintkező elemet a munkadarabra.


A működési mód kiválasztása

⚠ VIGYÁZAT: A szerszám működtetése előtt mindig ellenőrizze, hogy a működtetési mód választó beállítása megfelel a kívánt szögbelevési módnak.

- **Ábra14:** 1. Működtetési mód választó


Egysorosozatos működtetés:

Ebben a módban egyetlen szöveget lehet be sorozatosan. Ezt a módot válassza, hogy óvatosan és pontosan kell belőnie a szöveget.

A kiválasztáshoz mozdítsa a működtetési mód választót a  pozícióba.

Érintéses működtetés:

Ismétléses módon lehet be szöveget a kioldókapcsoló nyomva tartásával és az érintkezőelem munkadarabra helyezésével.

A kiválasztáshoz mozdítsa a működtetési mód választót a  pozícióba.

Egyszeri szekvenciális működtetés

⚠ VIGYÁZAT: Ne helyezze túl nagy erővel az érintkező elemet a munkadarabra. Húzza meg teljesen a gázgombot, és a szegelés után tartsa 1-2 másodpercig.

Még „egyszeri szekvenciális működtetés” esetén is a félig meghúzott gázgomb okozhat nem várt szegelés, ha az érintkező elem újra érintkezésbe kerül a munkadarabbal.

Helyezze az érintkező elemet a munkadarabra, majd húzza meg teljesen a gázgombot.

Szegelés után emelje fel az érintkező elemet, majd engedje el a gázgombot.

- **Ábra15**

Érintkezésre történő működtetés



Először húzza meg a gázgombot, majd helyezze az érintkező elemet a munkadarabra.

- **Ábra16**

Besorult szegek eltávolítása

⚠ VIGYÁZAT: A besorult szögek eltávolítása előtt mindig tegye alaphelyzetbe a kioldókapcsolót és vegye le a légtömlőt.

⚠ VIGYÁZAT: Ne használjon eldeformálódott szöveget vagy szögszalagot. Ennek figyelmen kívül hagyása a szöveg rossz továbbítását eredményezi.

- **Ábra17:** 1. Kalapács 2. Kisméretű rúd 3. Szegkiadó nyílás

Ha a szegező elakad, tegye a következőket: Nyissa ki a tár fedelét, és vegye ki a szeghevedert. Helyezzen be egy kisméretű rudat vagy hasonlót a szegkiadó nyílásba, és kopogtassa meg egy kalapáccsal, hogy kivehesse az elakadt szeget a szegkiadó nyílásból. Tegye vissza a szeghevedert, majd zárja le a tár fedelét.

KARBANTARTÁS

⚠ VIGYÁZAT: Mielőtt ellenőrzést vagy karbantartást végezne a szerszámon, mindig tegye alaphelyzetbe a kioldókapcsolót és vegye le a légtömlőt.

MEGJEGYZÉS: Soha ne használjon gázolajat, benzint, hígítót, alkoholt vagy hasonló anyagokat, hacsak a használati útmutató másképp nem rendelkezik. Ezek elszíneződést, alakvesztést vagy repedést okozhatnak.

Szegek

Óvatosan bánjon a szeghevederekkel és a dobozzal. Ha a szeghevederekkel durván bántanak, azok meghajoghatnak, ami rossz szegadagolást vezet. Ne tárolja a szögeket nagyon nedves, forró, vagy közvetlen napsugárzásnak kitett helyen.

Kátrány és szennyeződés tisztítása és eltávolítása

⚠ VIGYÁZAT: A kezei védelme érdekében mindig viseljen vízálló kesztyűt.

A kátrány és a szennyeződés tapadása az érintkezőelem körül lévő területekhez megakadályozza az érintkezőelem (biztonsági mechanizmus) sima mozgását, ami véletlenszerű kislülést okoz. Rendszeresen tisztítsa meg az érintkezőelem körül lévő területeket.

Használjon oldószert, például kerozint, #2 fűtőolajat vagy dízel üzemanyagot. Csak az érintkezőelemet és a szegkiadó nyílás körül lévő területeket merítse be oldószerbe, és távolítsa el a kátrányt és a szennyeződést ecsettel.

► **Ábra18**

MEGJEGYZÉS: Soha ne merítse a házat, a tárat stb. oldószerbe. A szerszám meghibásodása következhet be.

MEGJEGYZÉS: Az alkalmazott oldószert mindig biztonságos és körültekintő módon és az összes helyi és országos előírásoknak megfelelően kell ártalmatlanítani.

A szögbelövő karbantartása

Használat előtt mindig ellenőrizze a szerszám általános állapotát, illetve, hogy nincsenek-e megszalva csavarok. Szükség esetén húzza meg azokat.

Minden nap ellenőrizze, hogy az érintkezőelem és a kioldókapcsoló szabadon mozognak – ehhez csatlakoztassa le a szerszámot az áramforrásról. Ne használja a szerszámot, ha az érintkezőelem vagy a kioldókapcsoló szorul vagy beragadt.

Ha a szerszámot hosszabb ideig nem használják, akkor kenje meg pneumatikus szerszámolajjal és tegye biztonságos helyre. Kerülje el a közvetlen napsugárzást és a nedves vagy forró környezeteket.

► **Ábra19**

A légsűrítő, a levegő-előkészítő szerelvény és a légtömítő karbantartása

Használat után mindig engedje le a légsűrítő tartályát és a légszűrőt. Ha nedvesség kerül a szerszámra, akkor az elégtelen teljesítményt és a szerszám meghibásodását okozhatja.

► **Ábra20:** 1. Leeresztő

► **Ábra21:** 1. Légszűrő

Rendszeresen ellenőrizze, hogy elég pneumatikus olaj van a levegő-előkészítő szerelvény olajozójában. A megfelelő olajozás elmulasztása a tömítőgyűrűk gyors elhasználódását okozza.

► **Ábra22:** 1. Olajozó 2. Pneumatikus szerszámolaj

Tartsa a légtömítőt hőtől (60°C felett, 140°F felett) és vegyszerektől (hígító, erős savak vagy lúgok) távol. A tömlőt vezesse távol az akadályoktól, amelyekbe működés közben beakadhat. A tömlőket távol kell elvezetni az éles sarkoktól és területektől, amelyek a tömlő károsodásához vagy kidörzsöléséhez vezethetnek.

A termék BIZTONSÁGÁNAK és MEGBÍZHATÓSÁGÁNAK fenntartása érdekében a javításokat és más karbantartásokat vagy beállításokat a Makita hivatalos vagy gyári szervizközpontjában kell elvégezni, mindig csak Makita cserealkatrészeket használva.

OPCIONÁLIS KIEGÉSZÍTŐK

⚠ VIGYÁZAT: Ezen kiegészítőket és tartozékokat javasoljuk a kézikönyvben ismertetett Makita szerszámhoz. Bármilyen más kiegészítő vagy tartozék használata a személyi sérülés kockázatával jár. A kiegészítőt vagy tartozékot csak rendeltetésszerűen használja.

Ha bármilyen segítségre vagy további információra van szüksége ezekkel a tartozékokkal kapcsolatban, keresse fel a helyi Makita Szervizközpontot.

- Szegek
- Légtömítő
- Védőszemüveg

MEGJEGYZÉS: A listán felsorolt néhány kiegészítő megtalálható az eszköz csomagolásában standard kiegészítőként. Ezek országonként eltérőek lehetnek.






TECHNICKÉ ŠPECIFIKÁCIE

Model:		AN454
Tlak vzduchu		0,49 – 0,83 MPa (4,9 – 8,3 bar)
Upínací prvok	Typ	Zvitkové klince (pokrývačské klince)
	Dĺžka	19 mm – 45 mm
	Priemer	3,05 mm
Množstvo klinec		120 ks.
Olej pre pneumatické náradie		ISO VG32 alebo ekvivalentná norma
Minimálny priemer hadičky		6,5 mm
Rozmery (D x Š x V)		256 mm x 117 mm x 271 mm
Čistá hmotnosť		2,4 kg

- Vzhľadom na neustály výskum a vývoj podliehajú technické údaje uvedené v tomto dokumente zmenám bez upozornenia.
- Technické údaje sa môžu pre rôzne krajiny líšiť.

Symboly

Nižšie sú uvedené symboly, s ktorými sa môžete pri použití nástroja stretnúť. Je dôležité, aby ste skôr, než s ním začnete pracovať, pochopili ich význam.

	Prečítajte si návod na obsluhu.
	Používajte ochranné okuliare.
	Používajte ochranu sluchu.
	Náradie dokáže pracovať v režime nastreľovania pri kontakte.
	Nepoužívajte na lešeniach ani rebríkoch.

Určené použitie

Toto náradie je určené na prípravné práce v interiéri, ako je upevňovanie podlahových nosníkov alebo bežných krokiev a na vytváranie rámových konštrukcií z dosiek pri rozmestnení 2" x 4". Náradie je určené len na vysokobjemové profesionálne použitie. Nepoužívajte ho na žiadne iné účely. Neslúži na zapúšťanie upínacích prvkov priamo do tvrdých povrchov, napríklad do ocele alebo betónu.

Hluk

Typická hladina akustického tlaku záťaže A určená podľa štandardu ISO11148-13(EN12549):
 Úroveň akustického tlaku (L_{pA}) : 102 dB (A)
 Úroveň akustického tlaku (L_{WA}) : 113 dB (A)
 Odchýlka (K): 1,5 dB (A)

POZNÁMKA: Deklarovaná hodnota emisií hluku bola meraná podľa štandardnej skúšobnej metódy a môže sa použiť na porovnanie jedného nástroja s druhým.

POZNÁMKA: Deklarovaná hodnota emisií hluku sa môže použiť aj na predbežné posúdenie vystavenia ich účinkom.

VAROVANIE: Používajte ochranu sluchu.

VAROVANIE: Emisie hluku sa môžu počas skutočného používania elektrického nástroja odlišovať od deklarovanej hodnoty, a to v závislosti od spôsobov používania náradia a najmä typu spracúvaného obrobku.

VAROVANIE: Nezabudnite označiť bezpečnostné opatrenia s cieľom chrániť obsluhu, a to tie, ktoré sa zakladajú na odhade vystavenia účinkom v rámci reálnych podmienok používania (berúc do úvahy všetky súčasti prevádzkového cyklu, ako sú doby, kedy je nástroj vypnutý a kedy beží bez zaťaženia, ako dodatok k dobe zapnutia).

Vibrácie

Celková hodnota vibrácií bola stanovená podľa ISO11148-13(ISO8662-11):
 Emisie vibrácií (a_{h}) : 5,7 m/s²
 Odchýlka (K): 1,5 m/s²

POZNÁMKA: Deklarovaná celková hodnota vibrácií bola meraná podľa štandardnej skúšobnej metódy a môže sa použiť na porovnanie jedného nástroja s druhým.

POZNÁMKA: Deklarovaná celková hodnota vibrácií sa môže použiť aj na predbežné posúdenie vystavenia ich účinkom.

VAROVANIE: Emisie vibrácií sa môžu počas skutočného používania elektrického nástroja odlišovať od deklarovanej hodnoty, a to v závislosti od spôsobov používania náradia a najmä typu spracúvaného obrobku.

VAROVANIE: Nezabudnite označiť bezpečnostné opatrenia s cieľom chrániť obsluhu, a to tie, ktoré sa zakladajú na odhade vystavenia účinkom v rámci reálnych podmienok používania (berúc do úvahy všetky súčasti prevádzkového cyklu, ako sú doby, kedy je nástroj vypnutý a kedy beží bez zaťaženia, ako dodatok k dobe zapnutia).

Vyhľadanie o zhode ES

Len pre krajiny Európy

Vyhľadanie o zhode ES sa nachádza v prílohe A tohto návodu na obsluhu.

BEZPEČNOSTNÉ VAROVANIA

Bezpečnostné varovania pre pneumatickú klincovačku/ sponkovačku

VAROVANIE: Prečítajte si všetky bezpečnostné upozornenia a pokyny. Nedodržanie týchto varovaní a pokynov môže mať za následok vážne zranenie, úraz elektrickým prúdom alebo požiar.

Všetky výstrahy a pokyny si odložte pre prípad potreby v budúcnosti.

Pred používaním tohto nástroja si z dôvodu osobnej bezpečnosti, správnej obsluhy a údržby nástroja prečítajte tento návod na obsluhu.

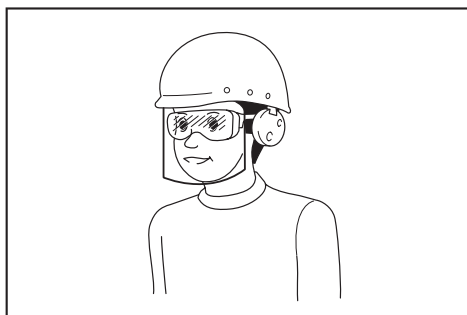
Všeobecná bezpečnosť

1. Akékoľvek použitie, ktoré je v rozpore s určeným použitím tohto náradia, je zakázané. Nástroje na nastreľovanie upínacích prvkov s trvalým nastreľovaním pri kontakte alebo s nastreľovaním pri kontakte možno používať len vo výrobe.
2. Pri používaní tohto náradia majte prsty mimo spúšťacieho spínača počas presúvania sa z jednej prevádzkovej polohy do druhej.
3. Viaceré riziká. Prečítajte si a porozumajte bezpečnostným pokynom pred pripojením, odpojením, naplnením, prevádzkou, údržbou, výmenou príslušenstva alebo pri práci v blízkosti náradia. Ak tak neurobíte, môže to zapríčiniť vážne zranenie.
4. Žiadnou časťou tela napríklad rukami či nohami atď. nezasahuje do dráhy nastreľovania a zaistíte, aby upínací prvok nemohol preniknúť obrobkom do niektorej z časní tela.

5. Pri používaní náradia majte na pamäti, že upínací prvok môže zlyhať a spôsobiť zranenie.
6. Náradie držte pevne a buďte pripravení stlmiť spätný náraz.
7. Náradie na nastreľovanie upínacích prvkov smú používať len osoby s technickými zručnosťami.
8. Nástroj na nastreľovanie upínacích prvkov neupravujte. Úpravami sa môže znížiť účinnosť bezpečnostných opatrení a zvýšiť riziko, ktoré náradie predstavuje voči obsluhu a/alebo okolostojacim osobám.
9. Návod na obsluhu nevyhadzujte.
10. Náradie v prípade poškodenia nepoužívajte.
11. Manipulácia s upínacími prvkami si vyžaduje opatrnosť najmä pri vkladaní a vyberaní, pretože majú ostré hroty, ktoré môžu spôsobiť zranenie.
12. Pred použitím vždy skontrolujte, či náradie nie je pokazené, nesprávne zapojené alebo či jeho súčasti nie sú opotrebované.
13. Pri práci sa nenatáhujte do diaľky. Náradie používajte len na bezpečnom mieste. Udržujte vždy správny postoj a rovnováhu.
14. Zaisťte odstup iných osôb (pri práci v oblasti, kde možno predpokladať prítomnosť iných ľudí). Jazde vyznačte prevádzkovú oblasť.
15. Náradím nikdy nemierne na seba ani na iných.
16. Pri dvíhaní náradia ani pri presúvaní sa medzi prevádzkovými oblasťami a polohami, či pri chôdzi nekladte prst na spúšťací spínač, pretože by mohlo dôjsť k neúmyselnej aktivácii náradia. V prípade náradia so selektívnym nastreľovaním vždy skontrolujte náradie a presvedčte sa, či ste vybrali správny režim.
17. Používajte len rukavice, ktoré umožňujú zaručiť dostatočnú citlivosť a bezpečné ovládanie spúšťacích spínačov či akýchkoľvek nastavovacích zariadení.
18. Nástroj odkladajte tak, že ho položíte na rovný povrch. Ak používate hák, ktorým je nástroj vybavený, nástroj pevne zaistíte hákom na pevnom povrchu.
19. Nástroj nepoužívajte pod vplyvom alkoholu, liekov a podobných látok.

Riziko vystrelenia

1. Náradie na nastreľovanie upínacích prvkov treba vypnúť pri vyberaní upínacích prvkov, nastavovaní, odstraňovaní upchatí alebo výmene príslušenstva.
2. Počas prevádzky dbajte na to, aby upínacie prvky správne vnikli do materiálu a nemohli sa odraziť/náhodne vystreliť smerom k obsluhu alebo okolitým osobám.
3. Počas prevádzky sa môže z obrobku alebo upevňovacieho/vyrovnávacieho systému časť oddeliť.
4. Pri používaní elektrického náradia vždy používajte ochranné okuliare, aby ste zabránili zraneniu očí. Ochranné okuliare musia spĺňať požiadavky noriem ANSI Z87.1 v USA, EN 166 v Európe alebo AS/NZS 1336 v Austrálii a na Novom Zélande. V Austrálii a na Novom Zélande zákon vyžaduje aj nosenie ochranného štítu na tvár.



Zamestnávateľ je zodpovedný nariadiť osobám, ktoré používajú tento nástroj a ktoré sa nachádzajú v bezprostrednej blízkosti, používať príslušné bezpečnostné ochranné prostriedky.

5. Obsluha musí zhodnotiť riziko, ktorému sú vystavené ďalšie osoby.
6. S náradím, ktoré nie je v kontakte s obrobkom manipulujte opatrne, pretože môže dôjsť k neúmyselnému vystreleniu a zraneniu obsluhu a/alebo okolitých osôb.
7. Zaisťte, aby bolo náradie vždy bezpečne umiestnené na obrobku a nemohlo sa zošmyknúť.
8. S cieľom chrániť svoj sluch proti hluku používajte chrániče na uši a taktiež používajte aj ochranu na hlavu. Používajte aj ľahké, avšak nie voľné oblečenie. Rukávy by mali byť zapnuté alebo vyhrnuté. Nemali by ste na krku nosiť žiadne šatky ani viazanky.

Prevádzkové riziká

1. Náradie držte správne: buďte pripravení neutralizovať bežné alebo náhle pohyby, napríklad spätný náraz.
2. Udržiavajte rovnovážnu polohu a bezpečnú postoj.
3. Treba používať vhodné ochranné okuliare a odporúčajú sa príslušné rukavice a ochranný odev.
4. Treba používať vhodnú ochranu sluchu.
5. Používajte správne napájanie podľa pokynov v návode na použitie.
6. Náradie nepoužívajte na pohyblivých ploši-
nách ani v nákladnom priestore nákladných vozidiel. Náhly pohyb plošiny môže spôsobiť stratu kontroly nad náradím a zapríčiniť zranenie.
7. Vždy sa presvedčte, že nástroj obsahuje upínacie prvky.
8. S prácou sa neponáhľajte a nástroj nepreťažujte. S týmto nástrojom zaobchádzajte opatrne.
9. Dávajte pozor na svoj postoj a zachovávajte svoju rovnováhu s nástrojom. Presvedčte sa, že počas práce na vyvýšených miestach sa nikto pod vami nenachádza a vzduchovú hadicu zabezpečte tak, aby ste zabránili nebezpečenstvu v prípade náhleho myknutia alebo zachtienia.
10. Na strechách a ďalších vyvýšených miestach upínacie prvky skrútkujte súbežne s vašim pohybom dopredu. Je ľahké stratiť stabilnú postoj v prípade skrútkovania upínacích prvkov pri malom pohybe dozadu. V prípade skrútkovania upínacích prvkov do zvislých povrchov skrútkujte zhora nadol. Týmto spôsobom dokážete skrútkovanie vykonávať s menšou námahou.

11. Ak upínací prvok omylom naskrutkujete na iný alebo ak upínací prvok naskrutkujete na uzol v dreve, môže dôjsť k ohnutiť upínacieho prvku alebo k zaseknutiu nástroja. Môže dôjsť k odhodneniu upínacieho prvku, pričom upínací prvok môže niekoho zasiahnuť alebo nástroj samotný môže vyvolať nebezpečnú reakciu. Upínacie prvky skrútkujte opatrne.
12. Nabíť nástroj ani vzduchový kompresor pod tlakom nenechávajte dlhodobo na slnku. Na mieste, kde budete nástroj nastavovať, sa nesmie do nástroja dostať prach, piesok, úlomky a cudzorodý materiál.
13. Nikdy sa nepokúšajte skrútkovať upínacie prvky súčasne zvnútra aj zvonka. Upínacie prvky môžu preraziť a/alebo vyletieť, čo predstavuje smrteľné nebezpečenstvo.

Riziká vyplývajúce z opakujúcich sa pohybov

1. Pri dlhodobom používaní náradie môže obsluha pociťovať nepríjemný pocit v rukách, pleciach, krku či v iných častiach tela.
2. Pri používaní náradia má obsluha zaujať vhodný a súčasne ergonomický postoj. Udržujte pevnú postoj a vyhýbajte sa neprirodzeným či nerovnovážnym polohám.
3. Ak obsluha pociťuje príznaky, ako napríklad trvalé alebo opakujúce sa nepohodlie, bolesť, bušenie, pobolievanie, brnenie, zncitlivenie, pocit pálenia alebo meravosť, nesmie tieto príznaky ignorovať. Obsluha sa musí obrátiť na kvalifikovaného lekára a požiadať ho o radu v súvislosti s pracovnými činnosťami.
4. Nepretržité používanie môže spôsobiť zranenie v dôsledku opakovaného namáhania v dôsledku spätného nárazu náradia.
5. Operátor nemá siahat s náradím príliš ďaleko ani používať nadmernú silu, aby zabránil zraneniu v dôsledku opakovaného namáhania. Okrem toho si v prípade únavy treba odpočinúť.
6. Vykonajte posúdenie rizík v súvislosti s opakovaným pohybom. Malo by sa sústrediť na svalovo-kostrové poruchy a malo by sa pri nich vychádzať z predpokladu, že zníženie únavy pri práci účinne znižuje výskyt týchto porúch.

Riziká vyplývajúce z príslušenstva a spotrebného materiálu

1. Pred výmenou príslušenstva, akým je kontakt s obrobkom, alebo pri akýchkoľvek nastaveniach odpojte napájanie náradia, v závislosti od verzie vzduchové, plynové alebo akumulátorové.
2. Používajte len príslušenstvo rozmerov a typu udávaného výrobcom.
3. Používajte mazivá podľa pokynov v tomto návode.

Riziká na pracovisku

1. Pošmyknutia, zakopnutia a pády sú hlavnými zdrojmi zranení na pracovisku. Dávajte si pozor na klzké povrchy, ktoré vznikli v dôsledku používania náradia a rovnako na riziko zakopnutia o hadicu vzduchového vedenia.

2. V neznámom prostredí pracujte mimoriadne opatrne. Môžu sa tu vyskytovať skryté riziká, akými sú elektrické či iné vedenia.
3. Toto náradie nie je určené na používanie v potenciálne výbušnom ovzduší a nie je izolované na zabezpečenie pri kontakte s elektrickým prúdom.
4. Presvedčte sa, či sa na pracovisku nenachádzajú žiadne elektrické vedenia, plynové potrubia a pod., ktoré by mohli v prípade poškodenia v dôsledku používania náradia predstavovať riziko.
5. Pracovisko udržiavajte čisté a dobre osvetlené. Na neudržiavaných alebo tmavých pracoviskách existuje riziko nehôd.
6. V platnosti môžu byť miestne nariadenia týkajúce sa hluku, ktoré je potrebné dodržiavať udržiavaním hodnôt hluku pod stanovenými limitnými hodnotami. V niektorých prípadoch by sa mali zavrieť okienice s cieľom zabrániť unikaniu hluku.
3. Pri práci v chladnom prostredí používajte teplý odev a majte teplé a suché ruky.
4. Ak pocítite meravosť, brnenie, bolesť alebo blednutie pokožky prstov či rúk, vyhľadajte lekársku pomoc kvalifikovaného pracovného lekára a požiadajte ho o radu v súvislosti s pracovnými činnosťami.
5. Náradie prevádzkujte a vykonávajte jeho údržbu v súlade s odporúčaniami v tomto návode, aby ste predišli zvýšeniu úrovne vibrácií.
6. Nástroj držte zľahka, no bezpečne, pretože riziko vibrácií je vo všeobecnosti vyššie, keď pri držaní vyvíjate väčšiu silu.

Doplnkové varovania pre pneumatické náradie

Nebezpečný prach a vyfukovaný vzduch

1. Vždy kontrolujte svoje okolie. Vzduch vyfukovaný z náradie môže rozfúkať prach alebo odfúknuť predmety, ktoré potom zasiahnu obsluhu a/alebo okolité osoby.
2. Upravte výfuk tak, aby sa minimalizovalo vírenie prachu v prašnom prostredí.
3. V prípade odfukovania prachu alebo kúskov materiálu čo najviac znížte mieru tohto javu, aby ste obmedzili zdravotné riziká a hrozbu zranenia.

Nebezpečný hluk

1. Vystavenie vysokým hladinám hluku bez ochrany môže spôsobiť trvalé, poškodenie či stratu sluchu a ďalšie problémy, napríklad hučanie, zvonenie, bzukot či pískanie v ušiach.
2. Vykonajte posúdenie rizík v súvislosti s hlukom na pracovisku a zavedte príslušné kontrolné mechanizmy na eliminovanie týchto rizík.
3. Primerané prostriedky na zníženie tohto rizika môžu zahŕňať použitie tmiacich materiálov na zabránenie „rozozvučaniu sa“ obrobkov.
4. Používajte primeranú ochranu sluchu.
5. Náradie prevádzkujte a vykonávajte jeho údržbu v súlade s odporúčaniami v tomto návode, aby ste predišli zvýšeniu úrovne hluku.
6. Vykonajte opatrenia na zníženie hluku, napríklad umiestnením obrobkov na podpery tmiace hluk.
1. Stlačený vzduch môže spôsobiť vážne zranenie.
2. Vždy vypnite prívod vzduchu a keď nástroj nepoužívate, odpojte ho od prívodu vzduchu.
3. Pred výmenou príslušenstva, vykonávaní nastavení a/alebo opráv, či pri presune z jedného prevádzkového prostredia do druhého nástroj vždy odpojte od prívodu stlačeného vzduchu.
4. Pri používaní náradia majte prsty mimo spúšťacieho spínača počas presúvania sa z jednej prevádzkovej polohy do druhej.
5. Prúd stlačeného vzduchu nikdy nesmerujte na seba ani na nikoho iného.
6. Prudké trhnutie hadíc môže spôsobiť vážne zranenie. Vždy skontrolujte či hadice ani spojky nie sú poškodené ani uvoľnené.
7. Pneumatické náradie nikdy neprenášajte za hadicu.
8. Pneumatické náradie nikdy neťahajte za hadicu.
9. Pri používaní pneumatického náradia neprekračujte maximálnu hodnotu tlaku.
10. Pneumatické náradie treba napájať len stlačeným vzduchom s najnižším požadovaným tlakom pre prácu, aby sa dosiahlo zníženie hluku a vibrácií a minimalizovalo sa opotrebovanie.
11. Pri používaní kyslíka alebo horľavých plynov na prevádzku pneumatických nástrojov vzniká riziko vzniku požiaru a výbuchu.
12. Pri používaní pneumatického náradia postupujte opatrne, pretože náradie sa môže schlaadiť, čo ovplyvní jeho uchopenie a ovládanie.

Doplnkové varovania pre nástroje s možnosťou kontaktného nastreľovania



Nebezpečenstvo vibrácií

1. Emisie vibrácií počas používania závisia od sily uchopenia, kontaktného tlaku, smeru práce, nastavenia prívodu energie, obrobku a podporenia obrobku. Vykonajte posúdenie rizík v súvislosti s vibráciami a zavedte príslušné kontrolné mechanizmy na eliminovanie týchto rizík.
2. Vystavenie vibráciám môže mať za následok poškodenie nervov a zásobovania krvou v rukách a ramenách.
1. Pri dvíhaní náradia ani pri presúvaní sa medzi prevádzkovými oblasťami a polohami, či pri chôdzi nekladte prst na spúšťací spínač, pretože by mohlo dôjsť k neúmyselnej aktivácii náradia. V prípade náradia so selektívnym nastreľovaním vždy skontrolujte náradie a presvedčte sa, či ste vybrali správny režim.

- Toto náradie využíva buď selektívne nastreľovanie v prípade nastreľovania pri kontakte alebo trvalé nastreľovanie pri kontakte pri nastavení automatického režimu alebo ide o náradie vybavené režimom nastreľovania pri kontakte či trvalého nastreľovania pri kontakte, čo je vyznačené vyššie uvedeným symbolom. Je určené na použitie vo výrobe napríklad pri výrobe paliet, nábytku, výstavbe domov, čalúnení a obkladaní.
- Ak náradie používate v režime selektívneho nastreľovania vždy sa presvedčte, či je nastavený správny režim nastreľovania.
- Toto náradie nepoužívajte v režime nastreľovania pri kontakte v prípade zatváracích debien či škatúľ a montáži dopravných bezpečnostných systémov na prívesy a nákladné vozidlá.
- Dávajte pozor pri zmene miesta nastreľovania.

Bezpečnostné prvky

- Pred prácou skontrolujte, či sú všetky bezpečnostné systémy funkčné.** Tento nástroj sa nesmie používať tak, že sa poťahuje len vypínač, ani tak, že sa proti drevu zatláča iba kontaktné rameno. Musí sa používať len pri vykonávaní oboch týchto úkonov. Možnú chybnú činnosť vyskúšajte bez nabitia upínacími prvkami a tak, že tlačidlo je v polohe úplného potiahnutia.
- Zaistenie vypínača v polohe ON (ZAP.) je veľmi nebezpečné.** Vypínač sa nikdy nepokúšajte zaisťiť.
- Nepokúšajte sa kontaktný prvok ponechať v stlačenom stave pomocou pásky alebo drôtu.** Môže dôjsť k smrtelným alebo vážnym poraneniam.
- Vždy podľa pokynov uvedených v tomto návode skontrolujte kontaktný prvok.** Ak bezpečnostný mechanizmus nefunguje správne, skrutky sa môžu náhodne vystreliť.

Servis

- Okamžite po ukončení práce s nástrojom vykonajte vyčistenie a údržbu.** Nástroj udržiavajte v dokonalom stave. Pohyblivé časti namažte, aby ste zabránili hrdzaveniu a aby ste minimalizovali opotrebovanie spôsobené trením. Zo všetkých súčastí utrite prach.
- O pravidelnú kontrolu nástroja požiadajte autorizované servisné stredisko spoločnosti Makita.**
- Ak chcete zachovať SPOĽAHLIVOSŤ a BEZPEČNOSŤ výrobku, údržbu a opravy by sa mali vykonať v autorizovanom servisnom stredisku Makita, vždy použitím náhradných dielov Makita.**
- V prípade likvidácie náradia postupujte podľa miestnych predpisov.**

TIETO POKYNY USCHOVAJTE.

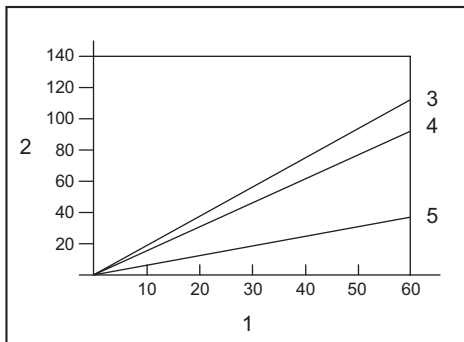
VAROVANIE: NIKDY nepripustíte, aby seba-vedomie a dobrá znalosť výrobku (získané opakovaným používaním) nahradili presné dodržiavanie bezpečnostných pravidiel pri používaní náradia. **NESPRÁVNE POUŽÍVANIE** alebo nedodržiavanie bezpečnostných zásad uvedených v tomto návode môže viesť k vážnemu zraneniu.

POPIS SÚČASTÍ

- **Obr.1:** 1. Spúšťač spínač 2. Kontaktný prvok 3. Volič režimu nastreľovania 4. Zásobník 5. Háčik

INŠTALÁCIA

Výber kompresora



- Frekvencia nastreľovania (počet nástrelov/min)
- Výstupný objem stlačeného vzduchu za minútu (l/min)
- 0,83 MPa (8,3 bar)
- 0,66 MPa (6,6 bar)
- 0,49 MPa (4,9 bar)

Vzduchový kompresor musí vyhovovať požiadavkám normy EN60335-2-34.

Vyberte kompresor, ktorý má dostatočný tlak a vzduchový výstup na zabezpečenie efektívnej prevádzky. Na grafe je znázornený vzťah medzi frekvenciou nastreľovania, použitým tlakom a výstupom vzduchu z kompresora. Preto napríklad, ak sa vykonáva nastreľovanie klinec pri frekvencii 60 krát za minútu pri tlaku 0,83 MPa (8,3 bar), je potrebné zabezpečiť kompresor s kapacitou viac ako 110 l/min.

V prípade, že tlak prírodného vzduchu presahuje menovitý pneumatický tlak náradia, musia sa používať regulátory tlaku na obmedzenie tlaku vzduchu na menovitú hodnotu tlaku náradia. V opačnom prípade hrozí vážne zranenie obsluhy náradia alebo osôb nachádzajúcich sa v blízkosti náradia.

Výber vzduchovej hadice

POZOR: Malý výstup vzduchu z kompresora, dlhá hadica alebo hadica s menším priemerom vo vzťahu k frekvencii nastreľovania klinec, môže mať za následok zníženie kapacity náradia pri skrutkovaní.

► Obr.2

Používajte čo najkratšiu hadicu s čo najväčším priemerom, aby ste zabezpečili nepretržitú a účinnú činnosť nastreľovania klinec.

Pri hodnote tlaku vzduchu 0,49 MPa (4,9 bar) sa odporúča sa používať vzduchovú hadicu s vnútorným priemerom viac než 6,5 mm a s dĺžkou kratšou než 20 m, pokiaľ je interval nastreľovania jednotlivých klinec 0,5 sekundy.

Hadice na prívod vzduchu sú dimenzované na minimálny pracovný tlak s hodnotou 1,03 MPa (10,3 bar) alebo 150 percent hodnoty maximálneho tlaku vytváraného systémom podľa toho, ktorá z hodnôt je vyššia.

Mazanie

► Obr.3

Vzduchovú súpravu (olejnička, regulátor, vzduchový filter) namontujte čo najbližšie k náradiu, aby ste zabezpečili maximálny výkon. Olejničku nastavte tak, aby na každých 30 klincov pripadla jedna kvapka oleja.

Pokiaľ sa nepoužíva vzduchová zostava, namažte náradie olejom určeným pre pneumatické náradie, a to nakvapkaním 2 (dvoch) alebo 3 (troch) kvapiek do vzduchovej armatúry. Tento krok treba vykonať pred použitím aj po ňom.

Správne namazanie sa zaistíte, keď náradie niekoľkokrát použijete na nastrelenie po nanosení oleja na pneumatické náradie.

► **Obr.4:** 1. Olej pre pneumatické náradie

OPIS FUNKCIÍ

▲POZOR: Pred nastavením alebo kontrolou funkčnosti náradia vždy vráťte spúšťací spínač do pôvodnej polohy a odpojte vzduchovú hadicu od náradia.

Nastavenie hĺbky nastreľovania klincov

▲POZOR: Pred úpravou hĺbky klincovania vždy uvoľnite spúšťací spínač a odpojte hadicu.

► **Obr.5:** 1. Ovládací prvok nastavenia

Hĺbka nastreľovania klincov sa nastavuje otáčaním nastavovača.

Hĺbka nastreľovania klincov je najhlbšia, keď je nastavovač úplne otočený v smere A, ako je znázornené na obrázku. Hĺbka sa znižuje otáčaním nastavovača v smere B.

Ak klince nemožno nastreliť dostatočne hlboko, aj keď je nastavovač otočený úplne v smere A, zvýšte tlak vzduchu.

Ak sa klince nastreľujú príliš hlboko, aj keď je nastavovač otočený úplne v smere B, znížte tlak vzduchu.

Vo všeobecnosti platí, že prevádzková životnosť nástroja je dlhšia, pokiaľ sa nástroj používa pri nižšom tlaku vzduchu a nastavovač je nastavený na väčšiu hĺbku nastreľovania klincov.

Háčik

▲POZOR: Pred zmenou polohy háku vždy uvoľnite spúšťací spínač a odpojte hadicu.

▲POZOR: Náradie nikdy nevešajte do výšky ani na potenciálne nestabilný povrch.

▲POZOR: Náradie si nevešajte na opasok. V prípade klincovača náhodou spadne, môže dôjsť k vystreleniu klince a zraneniu osôb.

► **Obr.6**

► **Obr.7:** 1. Háčik 2. Imbusová skrutka 3. Otvor

Hák je praktický na dočasné zavesenie náradia.

Ak chcete zmeniť polohu háku, odstráňte imbusovú skrutku a zmeňte smer háku. Hák má dva otvory.

Vyberte otvor v závislosti od preferovanej šírky háku.

Úprava opierky o šindle

► **Obr.8:** 1. Kontaktný prvok 2. Opierka o šindle 3. Šindel'

► **Obr.9:** 1. Nastavovacia platnička 2. Páčka

Opierka o šindle je navrhnutá tak, aby bola celá v kontakte so šindľom.

Umiestnite šindel' do požadovanej polohy. Otočením páčky uvoľníte nastavovaciu platničku. Nastavte klincovačku tak, aby kontaktný prvok zatlačil na horný šindel' aj na predchádzajúci rad šindľov. Posuňte nastavovaciu platničku nahor o spodnú stranu horného šindľa a zaistíte platničku vrátením páčky do polohy zaistenia.

ZOSTAVENIE

▲POZOR: Pred vykonaním akejkoľvek práce na náradi vždy vráťte spúšťací spínač do pôvodnej polohy a odpojte vzduchovú hadicu od náradia.

▲POZOR: Pokiaľ naplníte zásobník klincami, naplňte ho klincami rovnakého typu, veľkosti a rovnakej dĺžky.

Nabíjanie klincovačky

UPOZORNENIE: Vyberte klince vhodné pre vašu činnosť.

UPOZORNENIE: Nastavte podpornú platňu zvitku podľa veľkosti použitých klincov. Ak sa nástroj používa s podpornou platňou zvitku nastavenou na nesprávny krok, môže to spôsobiť nedostatočné podávanie klincov alebo poruchu nástroja.

1. Stlačte uzatváraciu páčku a otvorte uzáver zásobníka.

► **Obr.10:** 1. Uzáver zásobníka 2. Uzatváracia páčka

2. Zdvihnite a otočte podpornú platňu zvitku tak, aby šípka s veľkosťou klince na podpornej platni zvitku smerovala k príslušnému prírastku dielikovania vyznačenému na zásobníku.

► **Obr.11:** 1. Podporná platňa zvitku 2. Dielikovanie 3. Šípka

3. Položte zvitok klinecov na podpornú platňu zvitku. Odviňte dostatok klinecov, aby dosiahli k podávacej čelusti. Prvý klinec umiestnite do kanála vodidla a druhý klinec do podávacej čeluste. Zvyšné nerozvinuté klinec umiestnite do telesa podávača. Skontrolujte, či je zvitok klinecov správne umiestnený v zásobníku a zatvorte uzáver zásobníka.

► **Obr.12:** 1. Podávacia čelusť

Prípojenie vzduchovej hadice

⚠ POZOR: Pri pripájaní vzduchovej hadice nenechávajte prst na spúšti.

► **Obr.13:** 1. Vzduchová armatúra 2. Vzduchová objímka

Vzduchovú objímku vzduchovej hadice nasuňte na vzduchovú armatúru nástroja. Po nainštalovaní na vzduchovú armatúru sa presvedčte, že vzduchová objímka je pevne nasadená.

Spojka hadice musí byť nainštalovaná na náradie alebo jeho v blízkosti, aby sa tlaková nádoba vyprázdňovala počas odpojenia spojky prívodu vzduchu.

PREVÁDZKA

⚠ POZOR: Pred prácou skontrolujte, či sú všetky bezpečnostné systémy funkčné.

Kontrola správnosti funkcie pred použitím

Pred prácou vždy skontrolujte nasledujúce body.

- Zaisťte, aby sa náradie nespustilo bezprostredne po pripojení vzduchovej hadice.
- Zaisťte, aby sa náradie nespustilo bezprostredne po stlačení spúšťacieho spínača.
- Zaisťte, aby sa náradie nespustilo bezprostredne po priložení kontaktného prvku k obročku bez stlačenia spúšťacieho spínača.
- V režime jednorazového postupného nastreľovania zaisťte, aby sa náradie nespustilo v prípade, ak sa najprv stlačí spúšťací spínač a potom sa priloží kontaktný prvok na obroček.


Výber prevádzkového režimu

⚠ POZOR: Pred nastreľovaním klinecov sa vždy presvedčte, či je volič režimu nastreľovania správne nastavený na polohu požadovaného režimu nastreľovania klinecov.

► **Obr.14:** 1. Volič režimu nastreľovania


Režim jednorazového postupného nastreľovania:

Umožňuje nastreľovať postupne jeden klinec za druhým. Tento režim vyberte, ak vyžadujete starostlivé a presné nastreľovanie klinecov.

Výber tohto režimu vykonáte nastavením voliča režimu nastreľovania do polohy .

Režim nastreľovania pri kontakte:

Klinec môžete nastreľovať opakovaním priložením kontaktného prvku k materiálu počas držania spúšťacieho spínača.

Výber tohto režimu vykonáte nastavením voliča režimu nastreľovania do polohy .

Jednorazové postupné nastreľovanie

⚠ POZOR: Kontaktný prvok na obroček nadmerne nepritláčajte. Spúšťací spínač stlačte na doraz a podržte ho 1 – 2 sekundy po nastrelení klinca.

Aj v režime jednorazového postupného nastreľovania môže napoly stlačený spúšťací spínač spôsobiť náhodné vystrelenie klinca, keď sa kontaktný prvok znova dostane do kontaktu s obročkom.

Kontaktný prvok priložte na obroček a úplne stlačte spúšťací spínač.

Po nastrelení klinca uvoľnite kontaktný prvok a potom uvoľnite spúšťací spínač.

► **Obr.15**

Kontaktné nastreľovanie



Stlačte spúšťací spínač a umiestnite kontaktný prvok na obroček.

► **Obr.16**

Odstraňovanie zaseknutých klinecov

⚠ POZOR: Pred odstraňovaním zaseknutých klinecov vždy vráťte spúšťací spínač do pôvodnej polohy a odpojte hadicu.

⚠ POZOR: Nepoužívajte deformované klinec ani pásy klinecov. Ak to neurobite, dôjde k nesprávnemu posúvaniu klinecov.

► **Obr.17:** 1. Kladivo 2. Malá tyčka 3. Otvor na vystreľovanie

Keď sa klinec zasekne v klinecovačke, postupujte takto: Otvorte uzáver zásobníka a vyberte zvitok s klinecami. Vložte malú tyčku alebo niečo podobné do otvoru na vystreľovanie klinecov a klepnite po nej kladivom, aby sa zaseknutý klinec vysunul z otvoru na vystreľovanie. Opätovne nastavte zvitok klinecov a zatvorte uzáver zásobníka.

ÚDRŽBA

▲ POZOR: Pred pokusom o vykonanie akejkoľvek kontroly alebo údržby vždy vráťte spúšťací spínač do pôvodnej polohy a odpojte vzduchovú hadicu od náradia.

UPOZORNENIE: Na čistenie nikdy nepoužívajte benzín, benzínový čistič, riedidlo, alkohol ani žiadne iné podobné látky, ak sa to výslovne neuvádza v tejto príručke. Mohlo by to spôsobiť zmenu farby, deformácie alebo praskliny.

Klince

So zvitkami klincov a s ich škatuľami manipulujte opatrne. Pokiaľ budete so zvitkami klincov manipulovať nešetrne, môže sa zdeformovať a spôsobiť zlé podávanie klincov.

Klince neskladujte na veľmi vlhkých alebo horúcich miestach a nevystavujte ich účinkom priameho slnečného žiarenia.

Čistenie a odstránenie smoly a špiny

▲ POZOR: Na ochranu rúk vždy používajte vodovzdorné rukavice.

Prilepená smola alebo špina v okolí kontaktného prvku bráni plynulému pohybu kontaktného prvku (bezpečnostného mechanizmu) a môže spôsobiť náhodné vystrelenie. Oblasť okolo kontaktného prvku pravidelne čistite.

Použite rozpúšťadlo, ako napríklad petrolej, vykurovací olej č. 2 alebo naftu. Do rozpúšťadla ponorte len kontaktný prvok a oblasti bezprostredne okolo otvoru na vystreľovanie a potom smolu a špinu odstráňte kefou.

► Obr.18

UPOZORNENIE: Do rozpúšťadla nikdy neponárajte puzdro, zásobník a pod. Môže to mať za následok poruchu nástroja.

POZNÁMKA: Použitie rozpúšťadla vždy zlikvidujte správnym spôsobom a v súlade s miestnymi a celoštátnymi predpismi.

Údržba klincovačky

Nástroj pred používaním vždy skontrolujte z pohľadu jeho celkového stavu a z pohľadu uvoľnenia skrutiek. Dotiahnite podľa potreby.

Pri odpojení náradí každý deň skontrolujte a presvedčte sa, že sa kontaktný prvok a spúšťací spínač voľne pohybujú. Náradie nepoužívajte pokiaľ sa kontaktný prvok alebo spúšťací spínač zasekávajú alebo zachytávajú.

Pokiaľ nebudete náradie dlhodobo používať, namažte ho olejom na pneumatikách a uskladnite ho na bezpečnom mieste. Zabráňte vystaveniu účinkom priameho slnečného žiarenia, vlhkým alebo horúcim prostrediam.

► Obr.19

Údržba kompresora, vzduchovej súpravy a vzduchovej hadice

Po práci vždy vypustite nádobu kompresora a vzduchový filter. Ak do náradia môže preniknúť vlhkosť hrozí zníženie výkonu a možné zlyhanie náradia.

► Obr.20: 1. Vypúšťací kohútik

► Obr.21: 1. Vzduchový filter

Pravidelne kontrolujte, či sa v olejničke a vzduchovej súprave nachádza vhodný pneumatikový olej. Nezabezpečenie dostatočného mazania spôsobí rýchle opotrebovanie tesniacich O krúžkov.

► Obr.22: 1. Olejnička 2. Olej pre pneumatikové náradie

Vzduchovú hadicu chráňte pred účinkami tepla (nad 60 °C, nad 140 °F) a pred účinkami chemikálií (riedidlo, silné kyseliny alebo zásady). Hadicu ved'te mimo prekážok, o ktoré sa môže počas prevádzky nebezpečne zachytiť. Hadice musia byť vedené mimo ostrých hrán a plôch, kde môže dôjsť k poškodeniu hadice alebo k poškodzovaniu povrchu hadice.

Ak chcete udržať BEZPEČNOSŤ a BEZPORUCHOVOSŤ výrobu, prenechajte opravy, údržbu a nastavenie na autorizované alebo továrenské servisné centrá Makita, ktoré používajú len náhradné diely značky Makita.

VOLITEĽNÉ PRÍSLUŠENSTVO

▲ POZOR: Pre váš nástroj Makita, opísaný v tomto návode, doporučujeme používať toto príslušenstvo a nástavce. Pri použití iného príslušenstva či nástavcov môže hroziť nebezpečenstvo zranenia osôb. Príslušenstvo a nástavce sa môžu používať len na účely pre ne stanovené.

Ak potrebujete bližšie informácie týkajúce sa tohoto príslušenstva, obráťte sa na vaše miestne servisné stredisko firmy Makita.

- Klince
- Vzduchová hadica
- Ochranné okuliare

POZNÁMKA: Niektoré položky zo zoznamu môžu byť súčasťou balenia nástrojov vo forme štandardného príslušenstva. Rozsah týchto položiek môže byť v každej krajine odlišný.






SPECIFIKACE

Model:		AN454
Tlak vzduchu		0,49 – 0,83 MPa (4,9 – 8,3 bar)
Spojovací prvek	Typ	Cívka s hřebíky (na střechu)
	Délka	19 mm – 45 mm
	Průměr	3,05 mm
Kapacita zásobníku		120 kusů
Olej pro pneumatické nářadí		ISO VG32 nebo odpovídající
Minimální průměr hadice		6,5 mm
Rozměry (D × Š × V)		256 mm × 117 mm × 271 mm
Čistá hmotnost		2,4 kg

- Vzhledem k neustálému výzkumu a vývoji podléhají zde uvedené specifikace změnám bez upozornění.
- Specifikace se mohou pro různé země lišit.

Symboly

Níže jsou uvedeny symboly, se kterými se můžete při použití nástroje setkat. Je důležité, abyste dříve, než s ním začnete pracovat, pochopili jejich význam.

	Přečtěte si návod k obsluze.
	Noste ochranné brýle.
	Používejte ochranu sluchu.
	Nářadí je schopno provozu v režimu kontaktního chodu.
	Nepoužívat na lešeních a žebřících.

Účel použití

Nářadí je určeno pro přípravné interiérové práce, například k fixaci podlahových nosníků, jalových vazeb a rámových konstrukcí ve formátu 2" x 4".

Nářadí je určeno pouze k profesionálnímu velkoobjemovému použití. Nepoužívejte je k jakémukoli jinému účelu. Není určeno k umísťování spojovacích prvků přímo do tvrdého povrchu, například oceli nebo betonu.

Hlučnost

Typická vážená hladina hluku (A) určená podle normy ISO11148-13(EN12549):

Hladina akustického tlaku (L_{pA}): 102 dB(A)

Hladina akustického výkonu (L_{WA}): 113 dB (A)

Nejistota (K): 1,5 dB(A)

POZNÁMKA: Celková(é) hodnota(y) emisí hluku byla(y) změněna(y) v souladu se standardní zkušební metodou a dá se použít k porovnání nářadí mezi sebou.

POZNÁMKA: Hodnotu(y) deklarovaných emisí hluku lze také použít k předběžnému posouzení míry expozice vibracím.

VAROVÁNÍ: Používejte ochranu sluchu.

VAROVÁNÍ: Emise hluku se při používání elektrického nářadí ve skutečnosti mohou od deklarované(y) hodnot(y) lišit v závislosti na způsobech použití nářadí.

VAROVÁNÍ: Nezapomeňte stanovit bezpečnostní opatření na ochranu obsluhy podle odhadu expozice ve skutečných podmínkách použití. (Vezměte přitom v úvahu všechny části provozního cyklu, tj. kromě doby zátěže například doby, kdy je nářadí vypnuté a kdy běží naprázdno.)

Vibrace

Celková hodnota vibrací určená dle normy

ISO11148-13(ISO8662-11):

Emise vibrací (a_h): 5,7 m/s²

Nejistota (K): 1,5 m/s²

POZNÁMKA: Celková(é) hodnota(y) deklarovaných vibrací byla(y) změněna(y) v souladu se standardní zkušební metodou a dá se použít k porovnání nářadí mezi sebou.

POZNÁMKA: Celkovou(é) hodnotu(y) deklarovaných vibrací lze také použít k předběžnému posouzení míry expozice vibracím.

VAROVÁNÍ: Emise vibrací se při používání elektrického nářadí ve skutečnosti mohou od deklarované(y) hodnot(y) lišit v závislosti na způsobech použití nářadí.

VAROVÁNÍ: Nezapomeňte stanovit bezpečnostní opatření na ochranu obsluhy podle odhadu expozice ve skutečných podmínkách použití. (Vezměte přitom v úvahu všechny části provozního cyklu, tj. kromě doby zátěže například doby, kdy je nářadí vypnuté a kdy běží naprázdno.)

Prohlášení ES o shodě

Pouze pro evropské země

Prohlášení ES o shodě je obsaženo v Příloze A tohoto návodu k obsluze.

BEZPEČNOSTNÍ VÝSTRAHY

Bezpečnostní výstraha k pneumatické hřebíkovačce/sponkovačce

VAROVÁNÍ: Přečtěte si všechna bezpečnostní upozornění a pokyny. Zanedbání dodržování výstrah a pokynů může mít za následek vážné zranění, úraz elektrickým proudem nebo vznik požáru.

Všechna upozornění a pokyny si uschovejte pro budoucí potřebu.

V zájmu osobní bezpečnosti, správné obsluhy a údržby si před používáním nářadí přečtěte tento návod k obsluze.

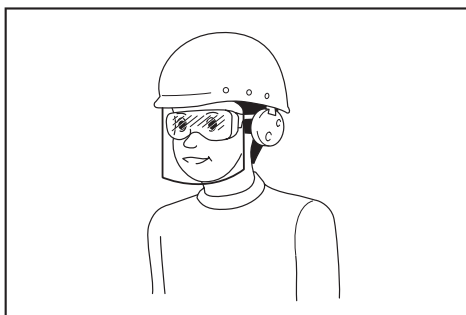
Všeobecná bezpečnostní pravidla

1. Použití k jakémukoliv jinému účelu, než k jakému je nářadí určeno, je zakázáno. Hřebíkovačky s nepřetržitým kontaktním chodem nebo kontaktním chodem se smí používat pouze ve výrobních aplikacích.
2. Pokud nářadí nepoužíváte nebo pokud se přesouváte z jednoho provozního místa na druhé, udržujte prsty v bezpečné vzdálenosti od spouště.
3. Mnohonásobná nebezpečí. Před připojením, odpojením, plněním, použitím, prováděním údržby, výměnou příslušenství nebo prací poblíž nářadí je nutné si přečíst bezpečnostní pokyny a pochopit jejich význam. Pokud tak neuděláte, může dojít k vážnému zranění.
4. Udržujte všechny části těla, jako jsou ruce, nohy atd., mimo směr vystřelování a zajistěte, aby spojovací prvek nemohl prolétnout obrobkem a proniknout do částí těla.
5. Při práci s nářadím mějte na paměti, že se spojovací prvek může vychýlit a způsobit zranění.
6. Nářadí držte pevně a buďte připraveni na zpětný ráz.

7. Hřebíkovačky smí používat pouze technicky kvalifikovaní pracovníci.
8. Na hřebíkovačce neprovádějte žádné úpravy. Úpravy mohou snížit účinnost bezpečnostních opatření a zvýšit riziko zranění obsluhy nebo přihlížejících osob.
9. Nevycházejte tento návod k obsluze.
10. Nářadí nepoužívejte, pokud je poškozené.
11. Při manipulaci se spojovacími prvky, obzvláště při plnění a vyjímání, buďte opatrní, jelikož spojovací prvky mají ostré hroty, které mohou způsobit zranění.
12. Vždy před použitím zkontrolujte nářadí, zda nemá poškozené, nesprávně zapojené nebo opotřebované části.
13. Nepřečehujte vlastní schopnosti. Nářadí používejte pouze na bezpečném pracovním místě. Udržujte vždy správný postoj a rovnováhu.
14. Nedovolte přístup přihlížejícím osobám (při práci v prostorách, kde je pravděpodobný výskyt procházejících lidí). Zřetelně označte pracovní oblast.
15. Nikdy nářadím nemířte na sebe ani na jiné osoby.
16. Při zvedání nářadí, přesouvání nářadí mezi pracovními oblastmi a polohami nebo při chůzi s nářadím nikdy nemějte prst na spoušti, jelikož hrozí riziko nechtěného spuštění. U nářadí s možností volby chodu vždy před použitím zkontrolujte, zda je zvolen správný režim.
17. Používejte pouze rukavice, které poskytují dostatečný cit a umožňují bezpečné ovládní spoušti a nastavovacích prvků.
18. Chcete-li nářadí odložit, položte jej na rovný povrch. Pokud používáte háček dodávaný k nářadí, zahákněte nářadí bezpečně na stabilní povrch.
19. Nepracujte pod vlivem alkoholu, léků atp.

Nebezpečí vystřelení

1. Hřebíkovačku je nutné při vyjímání spojovacích prvků, seřizování, vytahování zaseknutého materiálu nebo výměně příslušenství odpojit.
2. Během provozu se ujistěte, že spojovací prvky pronikají materiálem správně a nevychylují se / nevystřelují proti obsluze nebo přihlížejícím osobám.
3. Během provozu může dojít k vystřelování úlomků z obrobku nebo upevňovacího či sběrného systému.
4. Při používání elektrického nářadí vždy noste ochranné brýle určené k ochraně zraku. Ochranné brýle musí splňovat požadavky normy ANSI Z87.1 v USA, EN 166 v Evropě nebo AS/NZS 1336 v Austrálii a na Novém Zélandu. V Austrálii a na Novém Zélandu je dle zákona též nutné nosit obličejový štít chránící obličej.



Za vynucení používání vhodných ochranných pracovních prostředků obsluhou nářadí či jinými osobami v bezprostřední blízkosti pracoviště odpovídá zaměstnavatel.

5. Za zhodnocení rizik hrozících jiným osobám je odpovědná obsluha.
6. Při práci s nářadím bez kontaktu obrobku dbejte zvýšené opatrnosti, jelikož může dojít k jejich nechtěnému vystřelení a ke zranění obsluhy nebo přihlížejících osob.
7. Zajistěte, aby nářadí bylo vždy pevně usazené na obrobku a nemohlo sklouznout.
8. K ochraně před hlukem používejte ochranu sluchu a noste helmu. Používejte rovněž lehký avšak nikoli volný oděv. Rukávy by mely být zapnuty nebo vyhrnuty. Nenoste žádné vázanky.

Nebezpečí při obsluze

1. Držte nářadí správně. Buďte připraveni reagovat na průběžné pohyby nebo náhlé pohyby jako např. zpětné rázy.
2. Udržujte tělo ve stabilní poloze a stůjte pevně.
3. Používejte příslušné bezpečnostní brýle, rukavice a ochranné oblečení.
4. Používejte odpovídající ochranu sluchu.
5. Používejte zdroj energie, který je uveden v návodu k obsluze.
6. Nepoužívejte nářadí na pohyblivých plošinách nebo korbách nákladních vozů. Náhlý pohyb plošiny může vést ke ztrátě kontroly nad nářadím a úrazu.
7. Vždy předpokládejte, že nářadí obsahuje spojovací prvky.
8. Při práci nespěchejte a nepoužívejte násilí. S nářadím zacházejte opatrně.
9. Dbejte na správný postoj a udržujte dobrou rovnováhu s nářadím. Zajistěte, aby se při práci na vyvýšených místech nikdo nenacházel pod vámi a jestliže dochází k prudkému cukání či zachytávání, zabezpečte vzhduchové hadice.
10. Na střeších a v jiných vyvýšených místech nastřelujte při pohybu vpřed. Při nastřelování s couváním zpět můžete snadno ztratit půdu pod nohama. Při nastřelování do svislých ploch pracujte shora dolů. Budete tak pracovat s menší námahou.
11. Jestliže omylem zasáhnete místo s jiným spojovacím prvkem nebo se sukem ve dřevě, spojovací prvek se ohne nebo se nářadí může zaseknout. Spojovací prvek může být vymrštěn a mohl by někoho zasáhnout nebo může dojít k nebezpečné reakci samotného nářadí. Spojovací prvky proto rozmístíte pečlivě.

12. Nářadí naplněné hřebíky ani vzduchový kompresor pod tlakem neopouštějte dlouho venku na slunci. Zajistěte, aby v místě, kam nářadí odkládáte, nedošlo ke vniknutí prachu, pisku, třísek či jiných cizích těles.
13. Nikdy nenastřelujte současně z vnitřní i vnější strany. Spojovací prvky mohou projít či prolétnout naskrz a představují tak vážné nebezpečí.

Nebezpečí vyplývající z opakujících se pohybů

1. Pokud je nářadí používáno delší dobu, obsluha může pociťovat nepříjemné pocity v oblasti rukou, paží, ramen, krku nebo v jiných částech těla.
2. Při práci s nářadím by měla obsluha zaujmout vhodnou ergonomickou polohu. Udržujte bezpečné postavení a vyvarujte se nepřírodných a nestabilních poloh.
3. Pokud obsluha pociťá příznaky, jako je přetřívající nebo opakující se nepohodlí, bolest, brnění, znečitlivění, pálení nebo únava, nesmí tyto varovné příznaky ignorovat. Obsluha by se měla v této věci obrátit na kvalifikovaného zdravotníka.
4. Nepřetržitě používání nářadí může způsobit z důvodu zpětných rázů od nářadí zranění z opakovaného namáhání.
5. V zájmu prevence úrazů v důsledku opakovaného namáhání nesmí obsluha přeceňovat vlastní schopnosti nebo používat nadměrnou sílu. Kromě toho by si měl pracovník odpočinout, pokud pociťuje únavu.
6. Poskytněte přehled rizik souvisejících s nebezpečím vyplývajícím z opakujících se pohybů. Měl by se zaměřovat na muskuloskeletární poruchy a ideálně vycházet z předpokladu, že snižování únavy při práci účinně snižuje riziko těchto poruch.

Nebezpečí spojená s příslušenstvím a spotřebním materiálem

1. Před výměnou příslušenství, např. kontaktu obrobku, nebo před nastavováním odpojte zdroj energie od nářadí. Může to být vzduch, plyn nebo akumulátor.
2. Používejte pouze rozměry a typy příslušenství poskytované výrobcem.
3. Používejte pouze maziva doporučená v této příručce.

Nebezpečí na pracovišti

1. Nejčastější příčinou zranění na pracovišti je uklouznutí, zakopnutí nebo upadnutí. Uvědomte si, že se v důsledku použití nářadí mohou povrchy stát kluzkými a rovněž hrozí nebezpečí zakopnutí o hadice vzduchového vedení.
2. V neznámém prostředí se pohybujte se zvýšenou opatrností. Mohou existovat skrytá nebezpečí, jako je elektrické nebo jiné vedení.
3. Toto nářadí není určeno pro použití v potenciálně výbušném prostředí a není odizolováno pro případ kontaktu s elektrickou energií.
4. Ujistěte se, že se v pracovní oblasti nenacházejí žádné elektrické kabely, plynové potrubí atd., které by při poškození v důsledku práce s nářadím mohly být zdrojem nebezpečí.

- Udržujte na pracovišti pořádek a dbejte, aby bylo dobře osvětlené. Nepořádek a nedostatek světla mohou zapříčinit úraz.
- Existují-li místní předpisy týkající se hluku, bude třeba jim vyhovět a udržet hladinu hluku v předepsaných mezích. V určitých případech bude třeba k omezení hluku použít hrazení.

Nebezpečí spojená s prachem a vyfukováním vzduchu

- Vždy zkontrolujte své okolí. Vzduch vyfukovaný z nářadí může odfouknout prach nebo předměty a ohrozit tím obsluhu nebo přihlížející osoby.
- V prašném prostředí směřujte výfukový otvor tak, aby co nejméně vřel prach.
- Pokud v pracovní oblasti dochází k uvolňování prachu nebo jiných předmětů, snažte se je co nejvíce omezit v zájmu snížení ohrožení zdraví a rizika úrazu.

Nebezpečí poškození sluchu hlukem

- Nechráněné vystavení hluku vysoké intenzity může způsobit trvalé poškození sluchu nebo další problémy, jako je např. tinnitus (zvonění, bzučení, pískání či dunění v uších).
- Poskytněte přehled rizik souvisejících s nebezpečím poškození sluchu hlukem v pracovní oblasti a podnikněte příslušná opatření k řešení těchto rizik.
- K příslušným opatřením, které napomohou snížit riziko, patří například použití tlumících materiálů zamezujících „zvonění“ obrobku.
- Používejte odpovídající ochranu sluchu.
- Aby nářadí při práci nevydávalo zbytečně vysoký hluk, je nutné nářadí obsluhovat a ošetřovat podle pokynů v této příručce.
- Zaveďte opatření na snížení hluku, například je možné umístit obrobky na oporu tlumící hluk.

Nebezpečí vyplývající z vibrací

- Emise vibrací při provozu závisí na síle uchopení, kontaktním tlaku, orientaci při práci, nastavení přívodu energie, obrobku a opoře obrobku. Poskytněte přehled rizik souvisejících s nebezpečím v důsledku vibrací a podnikněte příslušná opatření k řešení těchto rizik.
- Vystavení se vibracím může způsobit poškození nervů a zásobování rukou a paží krví.
- Při práci v chladném prostředí se teple obléknete a ruce udržujte v teple a suchu.
- Pokud pocítíte ztuhlost, brnění, bolest v prstech nebo rukou nebo vám začne běhat pokožka, vyhledejte v této věci kvalifikovaného zdravotníka.
- Aby nářadí při práci neprodukovalo zbytečně velké vibrace, je nutné nářadí obsluhovat a ošetřovat podle pokynů v této příručce.
- Držte nářadí zlehka, ale bezpečně, jelikož riziko je obecně vyšší, když je síla úchopu větší.

Dodatečná varování týkající se pneumatického nářadí

- Stlačený vzduch může způsobit vážné zranění.
- Pokud nářadí nepoužíváte, vždy zavřete přívod vzduchu a odpojte jej.

- Nářadí odpojte od přívodu stlačeného vzduchu vždy před výměnou příslušenství, nastavováním či opravami, a když se přesouváte z jedné provozní oblasti do druhé.
- Pokud nářadí nepoužíváte nebo pokud se přesouváte z jednoho provozního místa na druhé udržujte prsty v bezpečné vzdálenosti od spouště.
- Nikdy nemiřte zařízením se stlačeným vzduchem proti sobě nebo proti někomu jinému.
- Uvolněná hadice může způsobit vážné zranění. Vždy zkontrolujte, zda nejsou hadice nebo přípojky poškozené.
- Nikdy nedržte pneumatické nářadí při přenášení za hadici.
- Nikdy pneumatické nářadí netahejte za hadici.
- Při práci s pneumatickým nářadím nepřekračujte maximální provozní tlak ps max.
- Do pneumatického nářadí by měl být přiváděn stlačený vzduch o nejnižším tlaku požadovaném pro pracovní proces, aby hladina hluku a vibrací byla co nejnižší a bylo minimalizováno opotřebení.
- Je-li pro provoz pneumatického nářadí používán kyslík a hořlavé plyny, vzniká nebezpečí požáru a výbuchu.
- Při práci s pneumatickým nářadím buďte opatrní, jelikož se nářadí může při práci ochladit a špatně se drží a ovládá.

Dodatečná varování týkající se nářadí s funkcí kontaktního chodu



- Při zvedání nářadí, přesouvání nářadí mezi pracovními oblastmi a polohami nebo při chůzi s nářadím nikdy nemějte prst na spoušti, jelikož hrozí riziko nechtěného spuštění. U nářadí s možností volby chodu vždy před použitím zkontrolujte, zda je zvolen správný režim.
- Toto nářadí disponuje buďto funkcí volitelného chodu, kdy se pomocí voliče volí kontaktní chod nebo nepřetržitý kontaktní chod, nebo je vybaveno funkcí kontaktního chodu nebo funkcí nepřetržitého kontaktního chodu a je označeno symbolem uvedeným výše. Zamýšlená použití nářadí zahrnuje použití v oblasti výroby palet, nábytku, modulových domů, čalounění, obkladů apod.
- Pokud je nářadí používáno v režimu volitelného chodu, vždy se ujistěte, že je nastavení chodu správné.
- Nepoužívejte nářadí v režimu kontaktního chodu pro aplikace, jako je zavírání krabic nebo beden a připevňování přepravních bezpečnostních systémů na přívěsy a nákladní vozidla.
- Při změně místa přiblížení dbejte zvýšené opatrnosti.

Bezpečnostní zařízení

- Před uvedením do provozu se ujistěte, že jsou plně funkční všechny bezpečnostní systémy.** Nářadí se nesmí uvést do chodu pouze stisknutím spouště ani samotným přitisknutím kontaktního ramene ke dřevu. Nářadí musí pracovat pouze v případě provedení obou činností současně. Proveďte kontrolu bezchybného provozu bez spojovacího materiálu a s podávacím prvkem ve zcela vytažené poloze.
- Velmi nebezpečné je zajištění spouště v poloze ON (ZAP.).** Nikdy se nepokoušejte spoušť zafixovat.
- Nepokoušejte se fixovat kontaktní prvek v sepnuté poloze páskou či drátem.** Může dojít ke smrtelnému či velmi vážnému zranění.
- Kontaktní prvek vždy kontrolujte podle pokynů v této příručce.** Při nesprávné funkci bezpečnostního mechanismu může dojít k náhodnému vystřelení spojovacích prvků.

Servis

- Vyčištění a údržbu proveďte ihned po skončení práce.** Nářadí udržujte v perfektním stavu. Promazáním pohyblivých částí zabráníte korozi a minimalizujete opotřebení třením. Z dlů setřete veškerý prach.
- O pravidelnou prohlídku požádejte autorizované servisní středisko Makita.**
- V rámci zachování BEZPEČNOSTI a SPOLEHLIVOSTI výrobku musí být údržba a opravy svěřeny autorizovaným servisním střediskům Makita používajícím vždy náhradní díly Makita.**
- Při likvidaci se řiďte lokálními předpisy.**

TYTO POKYNY USCHOVEJTE.

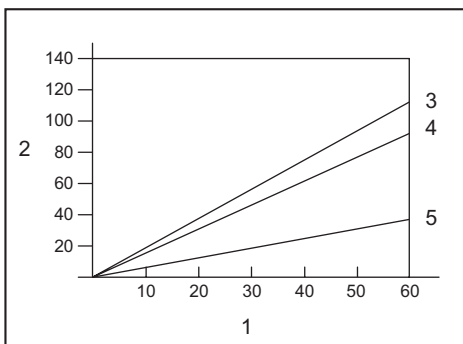
VAROVÁNÍ: NEDOVLTE, aby pohodlnost nebo pocit znalosti výrobku (získaný na základě předchozího použití) vedl k zanedbání dodržování bezpečnostních pravidel platných pro tento výrobek. **NESPRÁVNÉ POUŽÍVÁNÍ** či nedodržení bezpečnostních pravidel uvedených v tomto návodu k obsluze může způsobit vážné zranění.

POPIS SOUČÁSTÍ

- **Obr.1:** 1. Spoušť 2. Kontaktní prvek 3. Volič režimu chodu 4. Zásobník 5. Háček

INSTALACE

Výběr kompresoru



1. Frekvence přibíjení (počet/min) 2. Množství vzduchu z kompresoru za minutu (l/min) 3. 0,83 MPa (8,3 bar) 4. 0,66 MPa (6,6 bar) 5. 0,49 MPa (4,9 bar)

Vzduchový kompresor musí splňovat požadavky normy EN60335-2-34.

Používejte kompresor, který nabízí dostatečný tlak a množství dodávaného vzduchu, aby byl zajištěn efektivní provoz. Graf zobrazuje vztah mezi frekvencí přibíjení, příslušným tlakem a množstvím dodávaného vzduchu z kompresoru.

Například při přibíjení rychlostí přibližně 60 hřebíků za minutu při tlaku 0,83 MPa (8,3 barů) bude vyžadován kompresor s množstvím dodávaného vzduchu více 110 l/min.

Překračuje-li tlak vzduchového vedení hodnotu jmenovitého tlaku určeného pro nářadí, musí být k omezení na jmenovitou hodnotu použit tlakový regulátor. Zanedbání tohoto kroku může vést k vážnému zranění obsluhy nebo osob v okolí.

Výběr vzduchové hadice

UPOZORNĚNÍ: Nizký výkon kompresoru, dlouhá vzduchová hadice nebo její malý průměr mohou ve vztahu k frekvenci hřebíkování způsobit pokles výkonu nářadí.

- **Obr.2**

K zajištění nepřetržitého výkonného přibíjení použijte co nejsilnější a co nejkratší vzduchovou hadici.

Pro tlak vzduchu 0,49 MPa (4,9 baru) a půlsekundový interval mezi přibíjením se doporučuje vzduchová hadice s vnitřním průměrem větším než 6,5 mm a délkou maximálně 20 m.

Vzduchové hadice musí odolat minimálnímu provoznímu tlaku 1,03 MPa (10,3 baru) nebo tlaku, jehož hodnota činí 150 % maximálního tlaku vyprodukovaného v systému (podle toho, který tlak je vyšší).

Mazání

► Obr.3

K zajištění maximálního výkonu nainstalujte vzduchový systém (maznici, regulátor, vzduchový filtr) co nejbližší k nářadí. Maznici seřídte tak, aby dodávala jednu kapku oleje na každých 30 hřebíků.

Není-li používán vzduchový systém, naolejujte nářadí kápnutím 2 (dvou) či 3 (tří) kapek pneumatického oleje do vzduchové přípojky. Tento krok je třeba provést před i po použití.

Ke správnému promazání musí být nářadí po aplikaci pneumatického oleje několikrát spuštěno.

► **Obr.4:** 1. Olej pro pneumatické nářadí

POPIS FUNKCÍ

▲ UPOZORNĚNÍ: Před nastavováním či kontrolou funkčnosti nářadí vždy vraťte spoušť zpět a odpojte vzduchovou hadici od nářadí.

Nastavení hloubky přibíjení

▲ UPOZORNĚNÍ: Než začnete upravovat hloubku zatlučkání hřebíků, vždy nejprve uvolněte spoušť a odpojte hadici.

► **Obr.5:** 1. Regulátor

Nastavení hloubky nastřelování provedete otáčením regulátoru.

Přibíjení je nejhlubší při nastavení regulátoru nadoraz ve směru šipky A podle uvedeného obrázku. Měličho přibíjení docílíte otáčením regulátoru ve směru šipky B. Pokud hřebíky nelze nastřílet příliš hluboko, i když je regulátor zcela otočen ve směru A, zvyšte tlak vzduchu. Pokud jsou hřebíky přibíjeny příliš hluboko, i když je regulátor zcela otočen ve směru B, snižte tlak vzduchu.

Obecně lze říct, že životnost nástroje bude delší, když se nástroj bude používat s nižším tlakem a regulátorem nastaveným na větší hloubku přibíjení hřebíků.

Háček

▲ UPOZORNĚNÍ: Než začnete měnit pozici háku, vždy nejprve uvolněte spoušť a odpojte hadici.

▲ UPOZORNĚNÍ: Nikdy nástroj nezavěšujte ve výšce nebo na potenciálně nestabilním povrchu.

▲ UPOZORNĚNÍ: Nezavěšujte háček za opasek. Při náhodném pádu hřebíkovačky může dojít k náhodnému vystřelení a zranění.

► **Obr.6**

► **Obr.7:** 1. Háček 2. Šroub s vnitřním šestihranem 3. Otvor

Háček je vhodný k dočasnému pověšení nářadí. Chcete-li změnit pozici háku, odstraňte šroub s vnitřním šestihranem a přehodte směr háku. Hák má dva otvory. Zvolte otvor v závislosti na šířce háku, kterou preferujete.

Úprava vodítka šindele

► **Obr.8:** 1. Kontaktní prvek 2. Vodítko šindele 3. Šindel

► **Obr.9:** 1. Vyrovnávací deska 2. Páčka

Vodítko šindele je navrženo pro konzistentní odkrytí šindelů.

Vložte šindel do požadované pozice. Otočte páčku a uvolněte vyrovnávací desku. Nastavte hřebíkovačku tak, aby kontaktní prvek tlačil zároveň na odkrytou šindel a předchozí řadu šindelů. Posuňte vyrovnávací desku proti spodku odkryté šindele a vraťte páčku a zajistěte vyrovnávací desku.

SESTAVENÍ

▲ UPOZORNĚNÍ: Před prováděním jakékoli práce na nářadí vždy vraťte spoušť zpět a odpojte vzduchovou hadici od nářadí.

▲ UPOZORNĚNÍ: Při plnění zásobníku vždy vkládejte hřebíky stejného typu, velikosti a délky.

Plnění hřebíkovačky

POZOR: Vyberte hřebíky vhodné pro danou práci.

POZOR: Nastavte podložku cívky podle velikosti použitého hřebíku. Jestliže je nástroj používán s podložkou cívky nastavenou na špatný krok, může dojít ke špatnému podávání nebo poruše nástroje.

1. Stiskněte páčku západky a otevřete víko zásobníku.

► **Obr.10:** 1. Víko zásobníku 2. Páčka západky

2. Zdvihněte a otočte podložku cívky tak, aby šipka s označením velikosti hřebíku na podložce cívky směřovala k odpovídajícímu přírůstku délky hřebíku označenému na zásobníku.

► **Obr.11:** 1. Podložka cívky 2. Stupnice 3. Šipka

3. Vložte cívku s hřebíky na podložku cívky. Odmotejte dostatečný počet hřebíků, aby dosáhly na zub podavače. Poté první hřebík umístěte do kanálu vodítka a druhý do zubu podavače. Vložte další odvínuté hřebíky do tělesa podavače. Zkontrolujte, zda je cívka s hřebíky správně usazena v zásobníku, poté zavřete víko zásobníku.

► **Obr.12:** 1. Zub podavače

Připojení vzduchové hadice

▲ UPOZORNĚNÍ: Při připojování vzduchové hadice neopírejte prst o spoušť.

► **Obr.13:** 1. Vzduchová přípojka 2. Vzduchová objímka

Vzduchovou objímku hadice navlečte na vzduchovou přípojku nářadí. Zkontrolujte, zda vzduchová objímka při instalaci na přípojku pevně zapadla na místo. Hadicová spojka musí být nainstalována na nářadí nebo v jeho blízkosti tak, aby se tlakový zásobník při rozpojení spojky vzduchového vedení vypustil.

PRÁCE S NÁŘADÍM

▲ UPOZORNĚNÍ: Před uvedením do provozu se ujistěte, že jsou plně funkční všechny bezpečnostní systémy.

Kontrola správné funkčnosti před zahájením provozu

Před zahájením provozu se vždy ujistěte o následujícím.

- Ujistěte se, že se nářadí nespustí pouhým připojením vzduchové hadice.
- Ujistěte se, že se nářadí nespustí pouhým stisknutím spouště.
- Ujistěte se, že se nářadí nespustí pouhým přiložením kontaktního prvku na obrobek bez stisknutí spouště.
- Při režimu jednosekvenčního chodu se ujistěte, že se nářadí nespustí při stisknutí spouště a následném přiložení kontaktního prvku na obrobek.


Výběr provozního režimu

▲ UPOZORNĚNÍ: Vždy před zahájením přibíjení se ujistěte, že volič režimu chodu je správně nastaven do polohy požadovaného režimu přibíjení.

► Obr.14: 1. Volič režimu chodu


Režim jednosekvenčního chodu:

V tomto režimu můžete v rámci sekvence přibít jeden hřebík. Tento režim zvolte, když potřebujete hřebík přibít opatrně a přesně.

Tento režim vyberete nastavením voliče režimu chodu do polohy .

Režim kontaktního chodu:

V tomto režimu můžete hřebíky nastřelovat opakovaně přiložením kontaktního prvku se stisknutou spouští.

Tento režim vyberete nastavením voliče režimu chodu do polohy .

Jednosekvenční chod

▲ UPOZORNĚNÍ: Kontaktní prvek nepřitlačujte na obrobky přílišnou silou. Spoušť také naplno zmačkněte a po nastavení ji 1–2 sekundy podržte stisknutou.

I při jednosekvenčním chodu může napul stisknutá spoušť způsobit neočekávaný nástřel, pokud se kontaktní prvek znovu dotkne obrobku.

Kontaktní prvek přiložte ke zpracovávanému dílu a pak plně stiskněte spoušť.

Po nastřelení uvolněte kontaktní prvek a poté uvolněte spoušť.

► Obr.15

Kontaktní chod



Nejprve stiskněte spoušť a pak umístěte kontaktní prvek na obrobek.

► Obr.16

Vyjmutí zaseknutých hřebíků

▲ UPOZORNĚNÍ: Než začnete vytahovat zaseknuté hřebíky, vždy vraťte spoušť zpět a odpojte hadici.

▲ UPOZORNĚNÍ: Nepoužívejte deformované hřebíky ani pásy s hřebíky. V opačném případě dojde k chybnému podávání hřebíků.

► Obr.17: 1. Kladivo 2. Malá tyčka 3. Uvolňovací otvor

Když se hřebíkovačka zasekne, proveďte následující: Otevřete víko zásobníku a vyjměte kotouč s hřebíky. Vložte malou tyčku nebo něco podobného do uvolňovacího otvoru a klepněte na ni kladivem, aby se zaseknutý hřebík vysunul z uvolňovacího otvoru. Vložte zpět cívku s hřebíky a zavřete víko zásobníku.

ÚDRŽBA

▲ UPOZORNĚNÍ: Před zahájením kontrolních nebo údržbových prací vždy vraťte spoušť zpět a odpojte vzduchovou hadici od nářadí.

POZOR: K čištění nikdy nepoužívejte benzín, benzen, ředidlo, alkohol ani podobné prostředky, není-li v návodu uvedeno jinak. Mohlo by tak dojít ke změnám barvy, deformacím či vzniku prasklin.

Hřebíky

S pásy hřebíků a jejich obalem zacházejte opatrně. Bude-li s pásy hřebíků zacházeno hrubě, mohou se zdeformovat a způsobit problémy při podávání hřebíků. Hřebíky neskladujte na velmi vlhkém či velmi horkém místě ani je nevystavujte přímému slunečnímu záření.

Čištění a odstraňování dehtu a nečistot

▲ UPOZORNĚNÍ: Vždy si chraňte ruce vodotěsnými rukavicemi.

Lepení dehtu a nečistot na oblasti kolem kontaktního prvku zabraňuje hladkému pohybu tohoto kontaktního prvku (bezpečnostního mechanismu), což může způsobit náhodný výstřel. Pravidelně čistěte oblasti kolem kontaktního prvku.

Používejte rozpouštědla jako petrolej, naftu nebo pohonný olej č. 2. Do rozpouštědla vkládejte jen kontaktní prvek a oblasti kolem uvolňovacího otvoru, poté odstraňte dehet a nečistoty štetěčkem.

► **Obr.18**

POZOR: Nikdy nevkładejte kryt, zásobník atd. do rozpouštědla. Mohlo by to způsobit poruchu nástroje.

POZNÁMKA: Vždy likvidujte použité rozpouštědlo bezpečným a rozumným způsobem a také v souladu s místními a státními nařízeními a zákony.

Údržba hřebíkovačky

Před použitím vždy zkontrolujte celkový stav nářadí a přesvědčte se, zda nejsou povoleny šrouby. V případě nutnosti spoje dotáhněte.

Každý den provádějte prohlídku odpojeného nářadí a kontrolujte volný pohyb kontaktního prvku a spouště. Nářadí nepoužívejte, jestliže se kontaktní prvek nebo spoušť zasekává nebo zadržává.

Jestliže nářadí nebude delší dobu používáno, namažte je olejem na pneumatické nářadí a uložte na bezpečné místo. Zařízení nevystavujte přímému slunečnímu záření, vlhkosti a vysokým teplotám.

► **Obr.19**

Údržba kompresoru, vzduchového systému a vzduchové hadice

Po skončení práce vždy odvodněte zásobník kompresoru a vzduchový filtr. Důsledkem proniknutí vlhkosti do nářadí může být nedostatečný výkon a možné selhání zařízení.

► **Obr.20:** 1. Odvodňovací kohout

► **Obr.21:** 1. Vzduchový filtr

Pravidelně kontrolujte, zda je v maznici vzduchového systému dostatek pneumatického oleje. Zanedbání dostatečného mazání způsobí rychlé opotřebené O-kroužků.

► **Obr.22:** 1. Maznice 2. Olej pro pneumatické nářadí

Vzduchové hadice nesmí být umístěny v blízkosti zdrojů tepla (přes 60°C / 140°F) a chemikálií (ředidla, silné kyseliny či alkálie). Hadice také vedte mimo překážky, jež by mohly být při práci nebezpečným způsobem zachyceny. Hadice musí být rovněž vedeny mimo ostré hrany a oblasti, jež by mohly způsobit jejich poškození či oděnění.

K zachování BEZPEČNOSTI a SPOLEHLIVOSTI výrobku musí být opravy a veškerá další údržba či seřizování prováděny autorizovanými nebo továrními servisními středisky společnosti Makita s využitím náhradních dílů Makita.

VOLITELNÉ PŘÍSLUŠENSTVÍ

⚠ UPOZORNĚNÍ: Pro nářadí Makita popsané v tomto návodu doporučujeme používat následující příslušenství a nástavce. Při použití jiného příslušenství či nástavců může hrozit nebezpečí zranění osob. Příslušenství lze používat pouze pro stanovené účely.

Potřebujete-li bližší informace ohledně tohoto příslušenství, obraťte se na místní servisní středisko společnosti Makita.

- Hřebíky
- Vzduchová hadice
- Ochranné brýle

POZNÁMKA: Některé položky seznamu mohou být k nářadí přibaleny jako standardní příslušenství. Přibalené příslušenství se může v různých zemích lišit.

ТЕХНІЧНІ ХАРАКТЕРИСТИКИ

Модель:		AN454
Тиск повітря		0,49 - 0,83 МПа (4,9 - 8,3 бар)
Кріпильний виріб	Тип	Цвяхи барабанні (дахові)
	Довжина	19 мм - 45 мм
	Діаметр	3,05 мм
Кількість цвяхів		120 шт.
Олива для пневматичних інструментів		ISO VG32 або аналог
Мінімальний діаметр шланга		6,5 мм
Розміри (Д × Ш × В)		256 мм × 117 мм × 271 мм
Маса нетто		2,4 кг

- Оскільки наша програма наукових досліджень і розробок триває безперервно, наведені тут технічні характеристики можуть бути змінені без попередження.
- У різних країнах технічні характеристики можуть бути різними.

Символи

Далі наведені символи, які застосовуються для позначення обладнання. Перед користуванням переконайтеся, що Ви розумієте їхнє значення.



Читайте інструкцію з експлуатації.



Вдягайте захисні окуляри.



Користуйтеся засобами захисту органів слуху.



Інструмент можна використовувати в режимі контактного спрацювання.



Не використовуйте на риштуваннях та драбинах.

Призначення

Інструмент призначено для попередніх внутрішніх робіт, таких як скріплення балок підлоги або проміжних кроквин та каркасних конструкцій у корпусах розміром 2" x 4".

Інструмент призначений виключно для професійного виконання великих обсягів робіт. Не використовуйте його в інших цілях. Цей інструмент не призначений для забивання кріпильних виробів безпосередньо на тверду поверхню, наприклад сталь або бетон.

Шум

Рівень шуму за шкалою А в типовому виконанні, визначений відповідно до стандарту ISO11148-13(EN12549):

Рівень звукового тиску (L_{pA}): 102 дБ (А)

Рівень звукової потужності (L_{WA}): 113 дБ (А)

Похибка (К): 1,5 дБ (А)

ПРИМІТКА: Заявлене значення шуму було виміряно відповідно до стандартних методів тестування й може використовуватися для порівняння одного інструмента з іншим.

ПРИМІТКА: Заявлене значення шуму може також використовуватися для попереднього оцінювання впливу.

▲ПОПЕРЕДЖЕННЯ: Користуйтеся засобами захисту органів слуху.

▲ПОПЕРЕДЖЕННЯ: Залежно від умов використання рівень шуму під час фактичної роботи електроінструмента може відрізнятися від заявленого значення вібрації; особливо сильно на це впливає тип деталі, що оброблюється.

▲ПОПЕРЕДЖЕННЯ: Забезпечте належні запобіжні заходи для захисту оператора, що відповідатимуть умовам використання інструмента (слід брати до уваги всі складові робочого циклу, як-от час, коли інструмент вимкнено та коли він починає працювати на холостому ході під час запуску).

Вібрація

Загальна величина вібрації, визначена відповідно до ISO11148-13(ISO8662-11):

Вібрація (a_h): 5,7 м/с²

Похибка (К): 1,5 м/с²

ПРИМІТКА: Заявлене загальне значення вібрації було виміряно відповідно до стандартних методів тестування й може використовуватися для порівняння одного інструмента з іншим.

ПРИМІТКА: Заявлене загальне значення вібрації може також використовуватися для попереднього оцінювання впливу.

▲ ПОПЕРЕДЖЕННЯ: Залежно від умов використання вібрація під час фактичної роботи електроінструмента може відрізнятися від заявленого значення вібрації; особливо сильно на це впливає тип деталі, що оброблюється.

▲ ПОПЕРЕДЖЕННЯ: Забезпечте належні запобіжні заходи для захисту оператора, що відповідатимуть умовам використання інструмента (слід брати до уваги всі складові робочого циклу, як-от час, коли інструмент вимкнено та коли він починає працювати на холостому ході під час запуску).

Декларація про відповідність стандартам ЄС

Тільки для країн Європи

Декларацію про відповідність стандартам ЄС наведено в Додатку А до цієї інструкції з експлуатації.

ПОПЕРЕДЖЕННЯ ПРО ДОТРИМАННЯ ТЕХНІКИ БЕЗПЕКИ

Попередження про необхідну обережність під час роботи з пневматичним цвяхозабивним пістолетом / степлером

▲ ПОПЕРЕДЖЕННЯ: Прочитайте всі попередження про дотримання техніки безпеки та всі інструкції. Недотримання цих попереджень та інструкцій може призвести до важких травм, ураження електричним струмом та/або до виникнення пожежі.

Збережіть усі інструкції з техніки безпеки та експлуатації на майбутнє.

З метою забезпечення особистої безпеки та нормального функціонування інструмента прочитайте цю інструкцію з експлуатації перед початком роботи з інструментом.

Загальні заходи безпеки

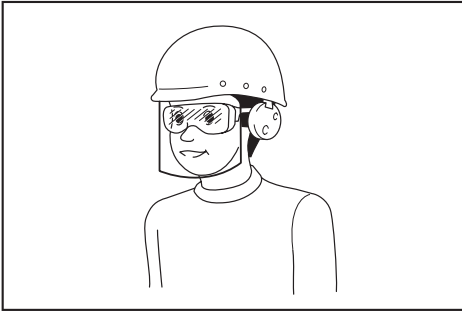
1. Використовувати інструмент в інших цілях заборонено. Кріпильні інструменти з неперервним контактним спрацюванням або контактним спрацюванням слід використовувати лише в галузі виробництва.

2. Не підносьте пальці близько до курка, коли інструмент не використовується та коли ви переходите між місцями використання.
3. Різноманітні ризики. Прочитайте та зрозумійте інструкції з техніки безпеки, перш ніж підключати, відключати, заряджати, експлуатувати інструмент, здійснювати його технічне обслуговування, замінювати його приладдя або працювати поруч із ним. Недотримання цієї вимоги може призвести до отримання серйозних травм.
4. Тримайте руки, ноги та інші частини тіла подалі від напрямку спрацювання та переконайтеся, що робоча деталь із кріпильного інструмента не може проникнути в частини тіла.
5. Використовуючи кріпильний інструмент, пам'ятайте, що він може відхилитися, що може призвести до отримання травм.
6. Міцно тримайте інструмент і будьте готові до віддачі.
7. Використовувати кріпильний інструмент можуть лише оператори, які мають спеціальні технічні навички.
8. Заборонено модифікувати кріпильний інструмент. Модифікації можуть призвести до зниження ефективності заходів безпеки та збільшення ризиків для оператора та/або осіб, які перебувають поруч.
9. Не викидайте цю інструкцію з експлуатації.
10. Не використовуйте інструмент, якщо він пошкоджений.
11. Будьте обережні, працюючи з кріпильними інструментами, особливо під час їх заряджання й розряджання, оскільки вони мають гострі деталі, що можуть призвести до поранення.
12. Перед використанням завжди перевіряйте інструмент на наявність зламаних, неправильно приєднаних і зношених частин.
13. Використовуючи інструмент, не тягніть за нього занадто далеко. Використовуйте лише в безпечному робочому середовищі. Завжди твердо стійте на ногах і тримайте рівновагу.
14. Не підпускайте близько сторонніх людей (працюючи в місцях із високою ймовірністю появи людей). Чітко позначайте зону, де ви працюєте.
15. Ніколи не спрямовуйте інструмент на себе або інших людей.
16. Не тримайте палець на курку, коли берете інструмент, пересуваєтесь між робочими місцями або положеннями та коли ходите, оскільки це може призвести до випадкового спрацювання. Перш ніж використовувати інструменти з можливістю вибору способу спрацювання, завжди перевіряйте, чи вибрано правильний режим.
17. Надягайте лише такі рукавиці, які дають змогу належним чином відчувати курки й пристрої регулювання та безпечно їх використовувати.
18. Залишаючи інструмент, кладіть його на плавку поверхню. Якщо ви використовуєте гак разом з інструментом, надійно прикріплюйте інструмент до стійкої поверхні за допомогою гака.

19. Не працюйте з інструментом, перебуваючи під впливом алкоголю, ліків тощо.

Ризики відлітання частин

1. Від'єднуйте кріпильний інструмент від електромережі, коли виймаєте кріпильні вироби, виконуйте налаштування, усуваєте затискання або заміняєте приладдя.
2. Під час експлуатації інструмента будьте обережні, щоб кріпильні вироби правильно проникали в матеріал і не відхилилися й не відлітали в бік оператора або інших осіб.
3. Під час експлуатації можуть відлітати уламки від робочої деталі та кріпильного інструмента або системи комплектування.
4. Завжди користуйтеся захисними окулярами, щоб захистити очі від травмування під час роботи з електроінструментами. Захисні окуляри мають відповідати стандарту ANSI Z87.1 у США, EN 166 у Європі або AS/NZS 1336 в Австралії / Новій Зеландії. В Австралії / Новій Зеландії законодавство вимагає користуватися також щитком для захисту обличчя.



Роботодавець відповідає за те, щоб оператори інструментів та інші особи, які знаходяться безпосередньо в робочій зоні, примусово користувалися відповідним захисним устаткуванням.

5. Оператор має оцінити ризик для інших осіб.
6. Будьте обережні, коли інструменти не контактують із робочою деталлю, оскільки вони можуть випадково спрацювати та поранити оператора та/або інших осіб, які перебувають поруч.
7. Завжди переконайтеся, що інструмент безпечно контактує з робочою деталлю та не може зісковзнути.
8. Використовуйте засоби захисту слуху від шуму та носіть захисний головний убір. Носіть легкий, але не вільний одяг. Рукави необхідно застібнути або загорнути. Не слід носити краватку.

Експлуатаційні ризики

1. Правильно тримайте інструмент: будьте готові протидіяти звичайним або несподіваним рухам, таким як віддача.
2. Тримайте рівновагу й твердо стійте на ногах.
3. Необхідно використовувати належні захисні окуляри та рекомендовано надягати рукавиці й захисний одяг.

4. Застосовуйте належні засоби для захисту органів слуху.

5. Використовуйте правильне енергоживлення, як зазначено в інструкції з експлуатації.
6. Не використовуйте інструмент на рухливих платформах або кузові вантажного автомобіля. Раптове переміщення платформи може призвести до втрати контролю над інструментом та спричинити травму.
7. Постійно пам'ятайте, що інструмент містить кріпильні деталі.
8. Під час роботи не поспішайте та не застосовуйте надмірну силу до інструмента. Поводьтеся з інструментом обережно.
9. Під час роботи з інструментом необхідно забезпечити надійну опору та утримувати рівновагу. Під час роботи на узвишші переконайтеся, що внизу немає людей, та закріпіть повітряний шланг, щоб уникнути небезпеки в разі несподіваного поштовху чи ривку.
10. Під час роботи на даху або в інших високо розташованих місцях вкручуйте кріпильні деталі в міру свого просування вперед. Якщо забивати кріпильні деталі, рухаючись спиною вперед, можна легко втратити опору. У разі вкручування кріпильних деталей у вертикальну поверхню починайте роботу зверху та просувайтеся вниз. Виконуючи роботу в такому порядку, ви будете менше втомлюватися.
11. Якщо помилково закрутити одну кріпильну деталь поверх іншої або закрутити її на місці сучка на деревині, кріпильна деталь може зігнутися або інструмент може заклинити. Кріпильна деталь може відлетіти і травмувати когось, або сам інструмент може небезпечно відскочити. Ретельно вибирайте місце для забивання кріпильних деталей.
12. Не залишайте заряджений інструмент або повітряний компресор під тиском на довгий час на сонці. Не допускайте потрапляння пилу, піску, скалок та сторонніх предметів у інструмент у місці, де ви його залишаєте.
13. Ніколи не намагайтеся вкручувати кріпильні деталі одночасно як зсередини, так і ззовні. Кріпильні деталі можуть пробити робочу поверхню та/або відлетіти, спричинивши серйозну небезпеку.

Ризики, пов'язані з повторюваними рухами

1. Використовуючи інструмент протягом тривалого часу, оператор може відчувати дискомфорт у кистях, руках, плечах, шії або інших частинах тіла.
2. Під час використання інструмента оператор повинен приймати відповідне для роботи, але ергономічне положення. Твердо стійте на ногах і уникайте незручних та нестійких поз.
3. У разі появи таких симптомів, як постійний або періодичний дискомфорт, біль, зокрема пульсуючий, шум у вухах, заніміння, відчуття печії або скованості, не ігноруйте ці тривожні сигнали. Оператору слід проконсультуватися стосовно своєї роботи з медичним фахівцем.

4. Тривале використання інструмента може призвести до травмування внаслідок хронічного напруження через віддачу інструмента.
5. Для запобігання травми від багаторазового виникнення напруги оператору не слід тягнути або застосовувати надмірну силу. Окрім цього, слід відпочити, якщо з'явиться втома.
6. Проведіть оцінку ризику стосовно небезпеки повторюваного руху. При цьому головну увагу слід приділити скелетно-м'язовим порушенням і дотримуватися принципу, що чим менша втома під час роботи, тим менше порушень.

Ризики, пов'язані з приладдям і витратними матеріалами

1. Від'єднуйте від інструмента енергопостачання, наприклад подачу повітря чи газу або акумуляторну батарею, перш ніж замінити приладдя, наприклад елементи, що контактують із робочою деталлю, або виконувати будь-які налаштування.
2. Використовуйте приладдя лише тих типів і розмірів, які вказані виробником.
3. Використовуйте лише те мастило, яке рекомендоване в цій інструкції.

Ризики травмування на робочому місці

1. Підскокування, спотикання та падіння є головними причинами травмування на робочому місці. Пам'ятайте про слизькі поверхні, спричинені використанням інструмента, а також про ризики спотикання через повітряний шланг.
2. Будьте особливо обережні в незнайомих місцях. Може існувати прихована небезпека, наприклад електричні або інші комунікаційні лінії.
3. Цей інструмент не призначений для використання у вибухонебезпечних середовищах і не ізольований від контакту з електроживленням.
4. Переконайтесь у відсутності електричних кабелів, газових труб тощо, які можуть становити небезпеку в разі пошкодження інструментом.
5. Робоче місце має бути чистим і добре освітленим. Захаращене або темне робоче місце часто є причиною виникнення нещасних випадків.
6. Можуть діяти місцеві нормативні положення стосовно шуму, яких необхідно дотримуватися, не перевищуючи дозволений рівень шуму. У деяких випадках слід використовувати виконниці для стримування шуму в межах приміщення, в якому виконується робота.

Ризики, пов'язані з пилом і вихлопами

1. Завжди перевіряйте середовище навколо себе. Повітря, що випускається з інструмента, може переносити пил або об'єкти, які можуть потрапити на оператора або інших осіб, які перебувають поруч.
2. В умовах запиленого середовища спрямуйте витяг так, щоб мінімізувати вплив пилу.

3. У разі викидів пилу чи інших об'єктів у робочій зоні максимально скоротіть викиди для того, щоб зменшити небезпеку для здоров'я та ризик травми.

Небезпека шуму

1. Відсутність захисту від високих рівнів шуму може спричинити незворотну втрату слуху, що призводить до інвалідності, а також інші проблеми на кшталт тіннітусу (дзвін, гудіння, свист або дзижчання у вухах).
2. Проведіть оцінку ризику стосовно небезпеки через шум у робочій зоні та застосуйте необхідний контроль над такою небезпекою.
3. Можна належним чином зменшити ризик, наприклад, змочуючи матеріали, щоб робочі деталі не дзвеніли.
4. Використовуйте відповідні засоби захисту органів слуху.
5. Експлуатуйте інструмент і здійснюйте його технічне обслуговування відповідно до рекомендацій, зазначених у цих інструкціях, щоб запобігти небажаному збільшенню рівнів шуму.
6. Вживайте заходи для зменшення шуму, наприклад кладіть робочі деталі на шумопоглинаючі опори.

Небезпека вібрації

1. Дія вібрації під час роботи залежить від сили стискання, сили натиску під час контакту, напрямку роботи, налаштування енергоживлення, робочої деталі та опори робочої деталі. Проведіть оцінку ризику стосовно небезпеки вібрації та застосуйте необхідний контроль над такою небезпекою.
2. Дія вібрації може призвести до порушення кровопостачання та функціонування нервової системи рук.
3. Працюючи в холодних умовах, надягайте теплий одяг на руки, щоб тримати їх сухими й теплими.
4. Якщо ви відчуєте заціпеніння, пощипування, біль у пальцях чи руках або помітите побіління шкіри на них, проконсультуйтеся стосовно своєї роботи з медичним фахівцем у галузі гігієни праці.
5. Експлуатуйте інструмент і здійснюйте його технічне обслуговування відповідно до рекомендацій, наведених у цих інструкціях, щоб запобігти небажаному збільшенню рівнів вібрації.
6. Тримайте інструмент легко, але надійно, оскільки ризик від вібрації зростає, коли зусилля стискання більше.

Додаткові попередження у разі роботи з пневматичними інструментами

1. Стиснуте повітря може спричинити серйозні травми.
2. Завжди перекривайте подавання повітря та від'єднуйте інструмент від системи подавання повітря, коли він не використовується.

3. Завжди від'єднуйте інструмент від системи подавання стиснутого повітря, перш ніж замінити приладдя, здійснювати налаштування та/або ремонт і переходити між місцями роботи.
4. Не підносьте пальці близько до курка, коли інструмент не використовується та коли ви переходите між місцями використання.
5. Забороняється спрямовувати стиснуте повітря на себе або інших людей.
6. Хльосткі удари шлангів можуть спричинити серйозні травми. Завжди перевіряйте, чи немає пошкоджених або незакріплених шлангів або з'єднань.
7. Забороняється піднімати пневматичний інструмент, тримаючи його за шланг.
8. Забороняється тягнути пневматичний інструмент, тримаючи його за шланг.
9. Використовуючи пневматичні інструменти, ніколи не перевищуйте встановлене для них значення максимального статичного робочого тиску.
10. Слід подавати стиснуте повітря в пневматичні інструменти з мінімальним тиском, потрібним для робочого процесу, щоб зменшити шум і вібрацію та мінімізувати зношення.
11. Використання кисню або горючих газів для роботи пневматичних інструментів створює небезпеку займання та вибуху.
12. Будьте обережні: під час використання пневматичні інструменти можуть охолоджуватися, що може ускладнювати їх стискання та контроль.

Додаткові попередження у випадку роботи з інструментами, що можуть спрацювати внаслідок контакту



1. Не тримайте палець на курку, коли берете інструмент, пересуваєтесь між робочими місцями або положеннями та коли ходите, оскільки це може призвести до випадкового спрацювання. Перш ніж використовувати інструменти з можливістю вибору способу спрацювання, завжди перевіряйте, чи вибрано правильний режим.
2. У цьому інструменті можна обирати спосіб контактного спрацювання або неперервного контактного спрацювання за допомогою селекторів режиму. Або ж цей інструмент має контактне спрацювання чи неперервне контактне спрацювання та позначений указаним вище символом. Він призначений для застосування на виробництві, наприклад для роботи з піддонами, меблями, оббивкою, для виготовлення корпусів і облицювання.
3. Використовуючи цей інструмент у режимі вибору спрацювання, завжди перевіряйте настройки спрацювання.

4. Не використовуйте цей інструмент у режимі контактної спрацювання для таких цілей, як закриття коробок або ящиків і кріплення систем безпеки для транспортування на причепах і вантажівках.
5. Будьте обережні, переходячи з одного місця експлуатації до іншого.

Запобіжні пристрої

1. **Перед початком роботи обов'язково перевірте справність усіх систем безпеки.** Інструмент не повинен вмикатися лише натисканням куркового вмикача або лише притисканням важеля безпеки до деревини. Він повинен спрацювати, лише коли виконуються обидві дії. Перевіряйте інструмент на наявність можливих несправностей, коли кріпильні деталі не заряджено, а поршень перебуває у повністю відтягнутому положенні.
2. **Фіксація курка в положенні ON (увімкнено) є дуже небезпечною.** У жодному разі не намагайтеся зафіксувати курок.
3. **Не намагайтеся утримувати контактний елемент натиснутим за допомогою стрічки або дроту.** Це може призвести до важкої травми або смерті.
4. **Обов'язково перевіряйте стан контактної елемента згідно з інструкціями, наведеними у цьому посібнику.** Якщо запобіжний механізм працює неправильно, вкручування кріпильних деталей може статися випадково.

Обслуговування

1. **Проводьте чищення та технічне обслуговування одразу після закінчення роботи.** Тримайте інструмент у найкращому стані. Змащуйте рухомі частини, щоб запобігти утворенню іржі та мінімізувати зношення через тертя. Витирайте пил з усіх деталей.
2. **Звертайтеся до авторизованого сервісного центру Makita з метою проведення періодичної перевірки інструмента.**
3. **Щоб забезпечити БЕЗПЕКУ та НАДІЙНІСТЬ виробу, його ремонт та технічне обслуговування повинні виконувати авторизовані сервісні центри Makita і лише із використанням запасних частин виробництва компанії Makita.**
4. **Дотримуйтеся місцевих норм щодо утилізації інструмента.**

ЗБЕРІГАЙТЕ ЦІ ВКАЗІВКИ.

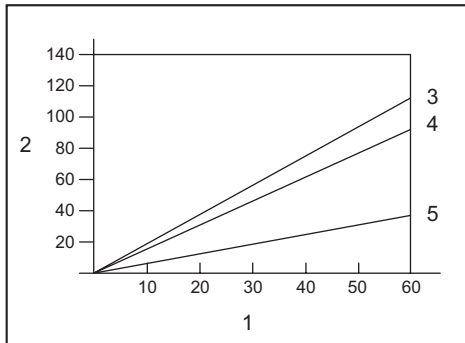
⚠ ПОПЕРЕДЖЕННЯ: НІКОЛИ НЕ втрачайте пильності та не розслабляйтеся під час користування виробом (що можливо при частому користуванні); обов'язково строго дотримуйтеся відповідних правил безпеки. **НЕНАЛЕЖНЕ ВИКОРИСТАННЯ** або недотримання правил безпеки, викладених у цій інструкції з експлуатації, може призвести до серйозних травм.

ОПИС ДЕТАЛЕЙ

- Рис.1: 1. Курок 2. Контактний елемент
3. Селектор режиму спрацювання
4. Магазин 5. Гак

ВСТАНОВЛЕННЯ

Вибір компресора



1. Частота вбивання цвяхів (разів/хв)
2. Продуктивність компресора за хвилину (л/хв)
3. 0,83 МПа (8,3 бар) 4. 0,66 МПа (6,6 бар) 5. 0,49 МПа (4,9 бар)

Повітряний компресор повинен відповідати вимогам стандарту EN60335-2-34.

Підберіть компресор із достатньо потужним тиском і виходом повітря для забезпечення економічності в роботі. На діаграмі показано відношення між частотою вбивання цвяхів, відповідним рівнем тиску та виходом повітря від компресора.

Наприклад, якщо забивання цвяхів відбувається зі швидкістю приблизно 60 разів на хвилину, а рівень тиску 0,83 МПа (8,3 бар), вам потрібен компресор із виходом повітря понад 110 літрів за хвилину.

Необхідно використовувати регулятори тиску для обмеження тиску повітря інструмента, якщо тиск подачі повітря перевищує номінальний тиск інструмента. Недотримання цієї інструкції може призвести до серйозного травмування оператора інструмента або осіб, що знаходяться поблизу нього.

Вибір повітряного шланга

⚠ОБЕРЕЖНО: Низька продуктивність компресора або занадто великий чи занадто малий діаметр повітряного шланга відносно частоти забивання цвяхів може спричинити зниження продуктивності інструмента.

► Рис.2

Використовуйте якомога ширший і коротший повітряний шланг для забезпечення тривалого та ефективного забивання кріпильних виробів.

Якщо повітряний тиск дорівнює 0,49 МПа (4,9 бар), рекомендується використовувати повітряний шланг із внутрішнім діаметром понад 6,5 мм і довжиною до 20 м, якщо операції забивання здійснюються з інтервалом 0,5 сек.

Шланги подачі повітря повинні мати мінімальний робочий тиск 1,03 МПа (10,3 бар) або 150 відсотків від максимального тиску в системі (більше з цих двох значень).

Змащування

► Рис.3

Для забезпечення максимальної ефективності під час експлуатації встановіть комплект пневматичного обладнання (маслянку, регулятор, повітряний фільтр) якомога ближче до інструмента. Відрегулюйте маслянку таким чином, щоб подача однієї краплі мастила припадала на кожні 30 цвяхів.

Якщо комплектний повітряний пристрій не використовується, змастіть інструмент пневматичним мастилом, наносячи 2 (дві) або 3 (три) краплі мастила в повітряний штуцер. Проводьте цю операцію до і після роботи з інструментом.

Для забезпечення необхідного змащування інструмент слід запустити кілька разів після нанесення оливи для пневматичного інструмента.

► Рис.4: 1. Олива для пневматичних інструментів

ОПИС РОБОТИ

⚠ОБЕРЕЖНО: Перш ніж налаштувати або перевіряти роботу інструмента, завжди відпускаяйте курок і від'єднайте повітряний шланг від інструмента.

Регулювання глибини забивання цвяхів

⚠ОБЕРЕЖНО: Перш ніж регулювати глибину забивання цвяхів, обов'язково відпустіть курок і від'єднайте шланг.

► Рис.5: 1. Регулятор

Щоб відрегулювати глибину забивання цвяхів, поверніть регулятор.

Глибина забивання цвяхів найбільша, якщо регулятор повністю прокручений у напрямку А, як показано на рисунку. Глибина зменшується в разі прокручування регулятора в напрямку Б.

Якщо цвяхи неможливо забити достатньо глибоко, навіть якщо регулятор повністю прокручений у напрямку А, слід збільшити тиск повітря.

Якщо цвяхи забиваються надто глибоко, навіть коли регулятор повністю прокручений у напрямку Б до упору, слід зменшити тиск повітря.

Загалом, термін служби інструмента буде довшим, коли його використовують із нижчим тиском повітря, налаштованим на більшу глибину забивання.

Гак

⚠ОБЕРЕЖНО: Перш ніж змінювати положення скоби, обов'язково відпустіть курок і від'єднайте шланг.

⚠ОБЕРЕЖНО: Ніколи не підвишуйте інструмент за гак високо та не залишайте його на потенційно нестійкій поверхні.

⚠ОБЕРЕЖНО: Не вішайте гак на пояс. Випадкове падіння цвяхозабивного інструмента може спричинити його незаплановане спрацювання та травмування.

► **Рис.6**

► **Рис.7:** 1. Гак 2. Болт із внутрішнім шестигранником 3. Отвір

Гак є зручним для тимчасового підвишування інструмента.

Щоб змінити положення скоби, зніміть болт із внутрішнім шестигранником і поверніть скобу в інший бік. На скобі є два отвори. Вони дозволяють регулювати відстань між скобою й інструментом.

Регулювання напрямної гонту

► **Рис.8:** 1. Контактний елемент 2. Напрямна гонту 3. Гонтина

► **Рис.9:** 1. Планка регулювання 2. Важіль

Напрямна гонту призначена для рівного укладання гонту.

Покладіть гонтину в потрібне положення. Поверніть важіль, щоб вивільнити регульовальну пластину. Розмістіть цвяхозабивний пістолет таким чином, щоб контактний елемент притискав одночасно гонтину, що прибивається, та попередній рядок гонту. Пересуньте регульовальну пластину вгору до нижньої частини гонтини, що прибивається, та поверніть на місце важіль, щоб зафіксувати регульовальну пластину.

ЗБОРКА

⚠ОБЕРЕЖНО: Перш ніж здійснювати будь-які роботи з інструментом, завжди відпускайте курок і від'єднайте повітряний шланг від інструмента.

⚠ОБЕРЕЖНО: Заряджаючи цвяхи в магазин, використовуйте цвяхи однакового типу, розміру та довжини.

Зарядження цвяхозабивного інструмента

УВАГА: Застосовуйте цвяхи, що підходять для такого типу роботи.

УВАГА: Відрегулюйте опорну пластину барабана відповідно до розміру цвяхів. Неправильне регулювання опорної пластини барабана може призвести до проблем із подачею цвяхів або несправності інструмента.

1. Притисніть важіль фіксатора та відкрийте кришку магазину.

► **Рис.10:** 1. Кришка магазину 2. Важіль фіксатора

2. Підніміть і поверніть опорну пластину барабана, так щоб стрілка з розміром цвяха на опорній пластині вказувала на відповідне збільшення градування, позначене на магазині.

► **Рис.11:** 1. Опорна пластина барабана 2. Градування 3. Стрілка

3. Помістіть барабан цвяхів на опорну пластину. Відмотайте достатньо цвяхів, щоб дістати до грейфера. Помістіть перший цвях у напрямний канал, а другий – у грейфер. Покладіть інші цвяхи в барабан уздовж механізму подачі. Переконайтеся, що барабан цвяхів належним чином вставлено в магазин, і закрийте кришку магазину.

► **Рис.12:** 1. Грейфер

Приєднування повітряного шланга

⚠ОБЕРЕЖНО: Не тримайте пальці на курку вмикача, коли повітряний шланг під'єднано.

► **Рис.13:** 1. Повітряний штуцер 2. Отвір повітряного шланга

Надіньте отвір повітряного шланга на повітряний штуцер інструмента. Отвір повітряного шланга повинен бути міцно закріплений на повітряному штуцері. Муфта шланга має бути встановлена на інструменті або біля нього таким чином, щоб напірний резервуар розряджався в разі від'єднання муфти подачі повітря.

РОБОТА

⚠ОБЕРЕЖНО: Перед початком роботи обов'язково перевірте справність усіх систем безпеки.

Перевірка належної роботи інструмента перед експлуатацією

Перед експлуатацією завжди виконуйте перелічені нижче перевірки.


- Переконайтеся, що приєднання повітряного шланга недостатньо для спрацювання інструмента.
- Переконайтеся, що натискання курка недостатньо для спрацювання інструмента.
- Переконайтеся, що прикладання контактної частини до робочої поверхні без натискання курка недостатньо для спрацювання інструмента.
- У режимі одиночного послідовного спрацювання переконайтеся, що інструмент не спрацює тільки після того, як спочатку натиснуто курок, а потім прикладено контактний елемент до робочої деталі.

Вибір режиму роботи

⚠ ОБЕРЕЖНО: Перед забиванням цвяхів завжди перевіряйте, чи встановлено селектор режиму спрацювання на потрібний режим забивання.


► Рис.14: 1. Селектор режиму спрацювання

Режим одинарного послідовного спрацювання
Можна забивати один цвях за одну послідовну операцію. Вибирайте цей режим, коли потрібно обережно й точно забивати цвяхи.

Щоб вибрати цей режим, установіть селектор режиму спрацювання в положення .

Режим контактного спрацювання

Можна багаторазово забивати цвяхи, установлюючи контактний елемент із натиснутим курком.

Щоб вибрати цей режим, установіть селектор режиму спрацювання в положення .

Одиночне послідовне спрацювання

⚠ ОБЕРЕЖНО: Не встановлюйте контактний елемент проти робочої деталі з застосуванням надмірної сили. Повністю натискайте на курок і утримуйте його 1-2 секунди після забивання цвяха.

Навіть у режимі "Одиночне послідовне спрацювання" напівнатиснутий курок спричиняє несподіване спрацювання, коли контактний елемент повторно контактує з робочою деталлю.

Прикладіть контактний елемент до робочої деталі, після чого натисніть на курок до упору. Після забивання цвяха відпустіть контактний елемент, а після цього відпустіть курок.

► Рис.15

Контактне спрацювання



Спочатку натисніть на курок, а потім прикладіть контактний елемент навпроти робочої деталі.

► Рис.16

Видалення цвяхів, які застрягли

⚠ ОБЕРЕЖНО: Перш ніж видаляти цвяхи, що застрягли, завжди відпускайте курок і від'єднайте шланг.

⚠ ОБЕРЕЖНО: Не використовуйте деформовані цвяхи або обійми цвяхів. Недотримання цієї вимоги призводить до неполадок у подачі цвяхів.

► Рис.17: 1. Молоток 2. Маленький стрижень 3. Випускний отвір

У разі застрягання цвяхів виконайте такі дії: Відкрийте кришку магазину та вийміть барабан цвяхів. Вставте у випускний отвір маленький стрижень або подібний предмет і злегка вдарте по ньому молотком, щоб вивільнити застрягли цвяхи з отвору. Знову вставте барабан цвяхів і закрийте кришку магазину.

ТЕХНІЧНЕ ОБСЛУГОВУВАННЯ

⚠ ОБЕРЕЖНО: Перш ніж намагатися здійснити інспекцію або технічне обслуговування, завжди відпускайте курок і від'єднайте повітряний шланг від інструмента.

УВАГА: У жодному разі не використовуйте для цього газолін, бензин, розріджувач, спирт або подібні речовини, якщо інше не зазначено в цьому посібнику. Їхнє використання може призвести до зміни кольору, деформації або появи тріщин.

Цвяхи

Обережно переносьте та зберігайте барабани цвяхів і коробку з-під них. У разі необережного поводження вони можуть деформуватися, що може призвести до проблем із подачею цвяхів.

Не можна зберігати цвяхи в місцях із високою вологістю чи температурою або під прямим сонячним промінням.

Чищення та видалення бруду й смоли

⚠ ОБЕРЕЖНО: Обов'язково використовуйте водонепроникні рукавички для захисту рук.

Приставання смоли й бруду заважає плавному руху контактного елемента (захисного механізму), що може спричинити випадкове спрацювання. Регулярно чистіть ділянки навколо контактного елемента.

Використовуйте розчинник на кшталт гасу, топкового мазуту № 2 або дизельного пального. Занурюйте в розчинник лише контактний елемент і ділянки навколо випускного отвору та видаляйте смолу й бруд щіткою.

► Рис.18

УВАГА: У жодному разі не занурюйте в розчинник корпус, магазин та інші деталі. Це може призвести до порушення в роботі інструмента.

ПРИМІТКА: Під час утилізації розчинника завжди дотримуйтеся всіх місцевих і загальнодержавних вимог, щоб не завдати шкоди довкіллю.

Технічне обслуговування цвяхозабивного інструмента

Перед початком роботи обов'язково перевірте справність інструмента, зокрема, чи немає ослаблених гвинтів. За потреби затягніть гвинти.

При від'єднанні інструменту щодня проводьте перевірку, щоб забезпечити вільний хід контактного елемента й курка. Не використовуйте інструмент, якщо контактний елемент або курок не натискаються або зігнуті.

Для довготривалого зберігання інструмента змастіть його пневматичним мастилом і помістіть у захищене місце для зберігання. Не залишайте інструмент під прямим сонячним промінням та/або у вологих чи спекотних умовах.

► **Рис.19**

Технічне обслуговування компресора, комплектного повітряного пристрою та повітряного шланга

Після роботи з інструментом завжди зливайте конденсат із бака компресора та повітряного фільтра. Проникнення вологи в інструмент може призвести до зниження ефективності роботи та відмови інструмента.

► **Рис.20:** 1. Зливний кран

► **Рис.21:** 1. Повітряний фільтр

Регулярно проводьте перевірку наявності достатньої кількості пневматичного мастила в маслянці комплектного повітряного пристрою. Незабезпечення достатнього змащування призводить до швидкого зношування ущільнювальних кілець.

► **Рис.22:** 1. Маслянка 2. Олива для пневматичних інструментів

Тримайте повітряний шланг подалі від джерела нагрівання (понад 60°C, понад 140°F) та хімічних речовин (розчинників, сильних кислот або лугів). Крім того, проводьте шланг таким чином, щоб уникнути його небезпечного зачіпання за сторонні предмети під час роботи. Шланги повинні знаходитися на безпечній відстані від гострих країв предметів, які можуть пошкодити або стерти шланг.

Для забезпечення БЕЗПЕКИ та НАДІЙНОСТІ продукції, її ремонт, а також роботи з обслуговування або регулювання повинні виконуватись уповноваженими або заводськими сервісними центрами Makita із використанням запчастин виробництва компанії Makita.

ДОДАТКОВЕ ПРИЛАДДЯ

⚠ ОБЕРЕЖНО: Це додаткове та допоміжне обладнання рекомендовано використовувати з інструментом Makita, зазначеним у цій інструкції з експлуатації. Використання будь-якого іншого додаткового та допоміжного обладнання може становити небезпеку травмування. Використовуйте додаткове та допоміжне обладнання лише за призначенням.

У разі необхідності отримати допомогу в більш детальному ознайомленні з оснащенням звертайтеся до місцевого сервісного центру Makita.

- Цвяхи
- Повітряний шланг
- Захисні окуляри

ПРИМІТКА: Деякі елементи списку можуть входити до комплекту інструмента як стандартне приладдя. Вони можуть відрізнятися залежно від країни.

SPECIFICAȚII

Model:		AN454
Presiunea aerului		0,49 - 0,83 MPa (4,9 - 8,3 bar)
Dispozitiv de fixare	Tip	Bobină de cuie înfășurată în sârmă (cuie pentru acoperiș)
	Lungime	19 mm - 45 mm
	Diametru	3,05 mm
Capacitate cuie		120 pcs.
Ulei pentru unelte pneumatice		ISO VG32 sau echivalent
Diametrul minim al furtunului		6,5 mm
Dimensiuni (L x l x I)		256 mm x 117 mm x 271 mm
Greutate netă		2,4 kg

- Datorită programului nostru continuu de cercetare și dezvoltare, specificațiile pot fi modificate fără o notificare prealabilă.
- Specificațiile pot varia în funcție de țară.

Simboluri

Mai jos sunt prezentate simbolurile de pe echipament. Asigurați-vă că înțelegeți sensul acestora înainte de utilizare.



Citiți manualul de utilizare.



Purtați ochelari de protecție.



Purtați echipament de protecție pentru urechi.



Mașina are capacitatea de a opera în modul de acționare prin contact.



Nu folosiți pe schele sau pe scări.

Destinația de utilizare

Mașina este destinată lucrărilor preliminare de interior, cum ar fi fixarea traverselor pentru podea sau a lățișorilor uzuali și pentru lucrări de asamblare a cadrelor într-o carcasă de 2" x 4".

Mașina este destinată numai aplicațiilor profesionale de volum ridicat. Nu utilizați mașina în alte scopuri. Aceasta nu este proiectată pentru a aplica dispozitive de fixare direct pe o suprafață tare precum oțel și beton.

Zgomot

Nivelul de zgomot normal ponderat A determinat în conformitate cu ISO11148-13(EN12549):
 Nivel de presiune acustică (L_{pA}): 102 dB(A)
 Nivel de putere acustică (L_{WA}): 113 dB (A)
 Marjă de eroare (K): 1,5 dB(A)

NOTĂ: Valoarea (valorile) totală(e) a (ale) emisiilor de zgomot declarate a(u) fost măsurată(e) în conformitate cu o metodă de test standard și poate (pot) fi utilizată(e) pentru compararea unei unelte cu alta.

NOTĂ: Valoarea (valorile) totală(e) a (ale) emisiilor de zgomot declarate poate (pot) fi, de asemenea, utilizată(e) într-o evaluare preliminară a expunerii.

AVERTIZARE: Purtați echipament de protecție pentru urechi.

AVERTIZARE: Emisiile de zgomot în timpul utilizării efective a unelei electrice poate diferi de valoarea (valorile) nivelului declarat, în funcție de modul în care unealta este utilizată, în special ce fel de piesă este prelucrată.

AVERTIZARE: Asigurați-vă că identificați măsurile de siguranță pentru a proteja operatorul, acestea fiind bazate pe o estimare a expunerii în condiții reale de utilizare (luând în considerare toate părțile ciclului de operare, precum timpii în care unealta a fost oprită, sau a funcționat în gol, pe lângă timpul de declanșare).

Vibrații

Valoarea totală a emisiilor de vibrații determinată conform ISO11148-13(ISO8662-11):

Emisie de vibrații (a_{hv}): 5,7 m/s^2

Marjă de eroare (K): 1,5 m/s^2

NOTĂ: Valoarea (valorile) totală(e) a (ale) nivelului de vibrații declarat a (au) fost măsurată(e) în conformitate cu o metodă de test standard și poate (pot) fi utilizată(e) pentru compararea unei unelte cu alta.

NOTĂ: Valoarea (valorile) totală(e) a (ale) nivelului de vibrații declarat poate (pot) fi, de asemenea, utilizată(e) într-o evaluare preliminară a expunerii.

⚠️AVERTIZARE: Nivelul de vibrații în timpul utilizării efective a unelei electrice poate diferi de valoarea (valorile) nivelului declarat, în funcție de modul în care unealta este utilizată, în special ce fel de piesă este prelucrată.

⚠️AVERTIZARE: Asigurați-vă că identificați măsurile de siguranță pentru a proteja operatorul, acestea fiind bazate pe o estimare a expunerii în condiții reale de utilizare (luând în considerare toate părțile ciclului de operare, precum timpii în care unealta a fost oprită, sau a funcționat în gol, pe lângă timpul de declanșare).

Declarație de conformitate CE

Numai pentru țările europene

Declarația de conformitate CE este inclusă ca Anexa A în acest manual de instrucțiuni.

AVERTIZĂRI DE SIGURANȚĂ

Avertismente privind siguranța pentru pistol de bătut cuie/capsator pneumatic

⚠️AVERTIZARE: Citiți toate avertismentele de siguranță și toate instrucțiunile. Nerespectarea avertismentelor și instrucțiunilor poate cauza vătămări grave, electrocutare și/sau incendiu.

Păstrați toate avertismentele și instrucțiunile pentru consultări ulterioare.

Pentru siguranța personală și pentru funcționarea și întreținerea adecvată a mașinii, citiți aceste instrucțiuni de utilizare, înainte de folosirea acesteia.

Siguranță generală

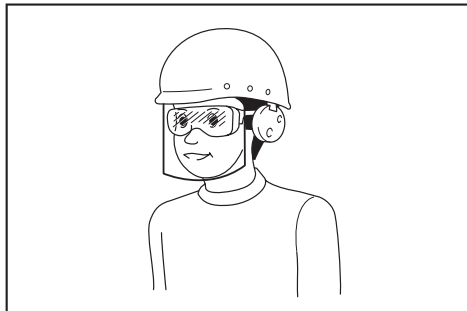
1. Orice altă utilizare, cu excepția utilizării conform destinației a acestei mașini, este interzisă. Mașinile pentru acționarea dispozitivelor de fixare cu contact continuu sau acționare prin contact se utilizează numai pentru aplicațiile de producție.
2. Țineți-vă degetele departe de butonul declanșator atunci când nu utilizați această mașină și atunci când vă deplasați dintr-o poziție de operare în alta.
3. Riscuri multiple. Citiți și înțelegeți instrucțiunile de siguranță înainte de a conecta, deconecta, încărca, utiliza, întreține, schimba accesoriile sau înainte de a lucra în apropierea mașinii. În caz contrar există pericol de vătămări corporale grave.
4. Țineți toate părțile corpului, cum ar fi mâinile și picioarele etc. departe de direcția de declanșare și asigurați-vă că dispozitivul de fixare nu poate pătrunde prin piesa de prelucrat în diverse părți ale corpului.

5. Atunci când utilizați mașina, fiți conștienți de faptul că dispozitivul de fixare ar putea devia și provoca o vătămare corporală.
6. Țineți ferm mașina și fiți pregătiți să gestionați reculul.
7. Numai operatorii calificați din punct de vedere tehnic trebuie să utilizeze mașina pentru acționarea dispozitivelor de fixare.
8. Nu modificați mașina pentru acționarea dispozitivelor de fixare. Modificările pot reduce eficacitatea măsurilor de siguranță și pot crește riscurile pentru operator și/sau persoanele aflate în zonă.
9. Nu aruncați manualul de instrucțiuni.
10. Nu utilizați o mașină dacă aceasta a fost deteriorată.
11. Procedați cu atenție când manipulați dispozitivele de fixare, în special la încărcare și descărcare, deoarece dispozitivele de fixare au puncte ascuțite care ar putea provoca o vătămare corporală.
12. Verificați întotdeauna mașina înainte de utilizare pentru a vedea dacă există piese defecte, incorect conectate sau uzate.
13. Nu vă întindeți excesiv. Utilizați numai într-un loc de muncă în condiții de siguranță. Mențineți-vă permanent echilibrul și sprijiniți-vă ferm pe picioare.
14. Țineți la distanță persoanele aflate în zonă (atunci când lucrați într-o zonă în care ar putea circula oameni). Marcați în mod clar zona de operare.
15. Nu îndreptați niciodată mașina spre dumneavoastră sau spre alte persoane.
16. Nu vă sprijiniți degetul pe trăgaci când ridicați mașina, când vă deplasați între zonele și pozițiile de operare sau în timpul mersului, deoarece degetul plasat pe trăgaci poate duce la acționarea accidentală a mașinii. Pentru mașini cu acționare selectivă, verificați întotdeauna mașina înainte de utilizare pentru a stabili dacă este selectat modul corect.
17. Purați numai mânuși care să asigure sensibilitate tactilă adecvată și un control sigur al butoanelor declanșatoare și al oricărui dispozitiv de reglare.
18. În cazul în care rezeamați mașina, așezați-o pe o suprafață orizontală. În cazul în care utilizați cârligul echipat cu mașina, prindeți mașina în siguranță pe suprafața stabilă.
19. Nu utilizați sub influența alcoolului, a drogurilor sau a altor produse asemănătoare.

Pericol de obiecte proiectate

1. Mașina pentru acționarea dispozitivelor de fixare trebuie să fie deconectată la descărcarea dispozitivelor de fixare, efectuarea ajustărilor, eliminarea blocajelor sau schimbarea accesoriilor.
2. În timpul funcționării, fiți atenți ca dispozitivele de fixare să pătrundă corect în material și să nu poată fi deviate/acționate neintenționat către operator și/sau persoanele aflate în zonă.
3. În timpul funcționării, ar putea fi evacuate reziduurile din piesa de prelucrat și sistemul de fixare/sortare.

- Purtați întotdeauna ochelari de protecție pentru a vă proteja ochii contra rănirii atunci când utilizați uneltele electrice. Ochelarii trebuie să fie în conformitate cu ANSI Z87.1 în S.U.A., EN 166 în Europa sau AS/NZS 1336 în Australia/ Noua Zeelandă. În Australia/Noua Zeelandă se solicită în mod legal și purtarea unei măști obligatorii pentru a vă proteja fața.



Intră în responsabilitatea angajatorului să impună utilizarea unor echipamente de protecție și siguranță adecvate de către utilizatorii mașinii și de către celelalte persoane din imediata apropiere a zonei de lucru.

- Riscurile pentru alte persoane vor fi evaluate de către operator.
- Procedați cu atenție cu mașinile fără contact cu piesa de prelucrat, deoarece acestea pot fi declanșate în mod neintenționat și pot răni operatorul și/sau persoanele aflate în zonă.
- Asigurați-vă că mașina este cuplată întotdeauna în condiții de siguranță pe piesa de prelucrat și că nu poate aluneca.
- Purtați dispozitive de protecție pentru cap și dispozitive de protecție a auzului, pentru a vă proteja auzul împotriva zgomotului produs. De asemenea, purtați îmbrăcăminte ușoară, dar care să nu fie largă pe corp. Nasturii de la mâneci trebuie să fie închiși sau suflecați-vă mânecile. Nu trebuie să purtați cravată.

Riscuri de funcționare

- Prindeți mașina în mod corect: fiți gata să contracarați mișcările normale sau bruște, cum ar fi reculul.
- Mențineți o poziție echilibrată și stabilă a corpului.
- Se recomandă utilizarea ochelarilor de protecție, mănușilor și îmbrăcămintei de protecție corespunzătoare.
- Trebuie purtată protecție auditivă corespunzătoare.
- Utilizați sursa de alimentare cu energie corectă, conform instrucțiunilor din manualul de instrucțiuni.
- Nu utilizați mașina pe platforme mobile sau pe partea posterioară a camioanelor. Mișcarea bruscă a platformei poate duce la pierderea controlului asupra mașinii, provocând vătămări corporale.
- Plecați întotdeauna de la presupunerea că mașina conține elemente de fixare.

- Nu grăbiți operațiunea și nu forțați mașina. Manipulați mașina cu atenție.
- Aveți grijă să vă mențineți un echilibru stabil atunci când folosiți mașina. Atunci când lucrați la înălțime, asigurați-vă că nu e află nicio persoană dedesubt și asigurați furtunul de aer pentru a preveni pericolul în cazul unei smucituri bruște sau a prinderii acestuia.
- Pe acoperișuri și în alte locații înalte, aplicați elemente de fixare pe măsură ce vă deplasați înainte. Este ușor să vă pierdeți sprijinul dacă aplicați elemente de fixare în timp ce vă deplasați încet înapoi. Atunci când aplicați elemente de fixare pe o suprafață perpendiculară, lucrați de sus în jos. Procedând în acest mod, operațiunile de aplicare pot fi efectuate cu efort redus.
- Un element de fixare se va îndoi sau mașina se poate bloca dacă din greșeală aplicați elementul de fixare deasupra unui alt element de fixare sau dacă loviți un nod din lemn. Elementul de fixare poate fi aruncat și poate lovi pe cineva sau chiar mașina poate reacționa periculos. Amplasați cu atenție elementele de fixare.
- Nu lăsați mașina încărcată sau compresorul de aer sub presiune în soare pentru o perioadă lungă de timp. Asigurați-vă că praful, nisipul, așchiile și materialele străine nu vor pătrunde în mașină în locul unde ați lăsat-o.
- Nu încercați niciodată să aplicați elemente de fixare simultan din partea interioară și exterioară. Elementele de fixare pot traversa materialul și/sau pot fi proiectate în jur, reprezentând un pericol grav.

Pericole din cauza mișcărilor repetitive

- Atunci când utilizați un instrument pentru perioade lungi de timp, operatorul poate experimenta disconfort la nivelul mâinilor, brațelor, umerilor, gâtului sau altor părți ale corpului.
- În timp ce utilizați o mașină, operatorul trebuie să adopte o poziție adecvată, dar ergonomică. Mențineți o poziție stabilă și evitați pozițiile incomode sau dezechilibrate.
- În cazul în care operatorul experimentează simptome precum disconfort recurent sau persistent, dureri, dureri pulsatile, tuiet în urechi, amorțeală, senzații de arsură sau de înțepeneală, nu ignorați aceste semne de avertizare. Operatorul trebuie să consulte o persoană calificată în domeniul medical în ceea ce privește activitățile generale.
- Folosirea continuă a mașinii poate cauza accidentarea repetată din cauza efortului produs de reculul mașinii.
- Pentru a evita vătămările cauzate de încordarea repetitivă, operatorul nu trebuie să se întindă excesiv sau să aplice forță în exces. În plus, operatorul trebuie să se odihnească atunci când simte că este obosit.
- Efectuați o evaluare a riscurilor în ceea ce privește pericolurile legate de mișcările repetitive. Aceasta trebuie să pună accent pe afecțiunile musculo-scheletale și, preferabil, să se bazeze pe presupunerea conform căreia reducerea oboselei în timpul lucrului este eficientă în reducerea afecțiunilor.

Pericole referitoare la accesorii și consumabile

1. Decuplați alimentarea cu energie a mașinii, cum ar fi o baterie cu aer sau gaz, după caz, înainte de schimbarea/înlocuirea accesoriilor, cum ar fi contactul piesei de prelucrat sau de efectuarea oricăror ajustări.
2. Utilizați numai dimensiunile și tipurile de accesorii furnizate de producător.
3. Utilizați lubrifianți doar în modul recomandat în acest manual.

Pericole la locul de muncă

1. Alunecarea, împiedicarea și căderea sunt principalele cauze ale vătămărilor corporale de la locul de muncă. Feriți-vă de suprafețele alunecoase cauzate de utilizarea mașinii, precum și de pericolele de împiedicare cauzate de furtunul de aer.
2. Acționați cu mai multă atenție în împrejurimi necunoscute. Pot exista pericole ascunse, cum ar fi electricitatea sau alte linii de utilități.
3. Această mașină nu este destinată utilizării în atmosfere potențial explozive și nu este izolată față de intrarea în contact cu energia electrică.
4. Asigurați-vă că nu există cabluri electrice, conducte de gaz etc., care ar putea provoca un pericol în caz de defectare prin utilizarea mașinii.
5. Păstrați zona de lucru curată și bine iluminată. Zonele de lucru dezordonate sau întunecate favorizează accidentele.
6. Pot exista reglementări locale privind zgomotul care trebuie respectate, menținând nivelurile de zgomot în cadrul limitelor prescrite. În anumite cazuri, trebuie să fie folosite dispozitive speciale de reducere a zgomotului.

Pericol de praf și gaze de evacuare

1. Verificați întotdeauna împrejurimile. Aerul evacuat din mașină poate sufla praf sau obiecte și lovi operatorul și/sau persoanele aflate în zonă.
2. Direcționați orificiul de evacuare astfel încât să minimizezi ridicarea prafului în mediile cu mult praf.
3. Dacă în zona de lucru se generează praf sau diverse obiecte, reduceți generarea acestora cât mai mult posibil, pentru a reduce pericolele pentru sănătate și riscul de vătămare corporală.

Pericol de zgomot

1. Expunerea neprotejată la niveluri ridicate de zgomot poate provoca pierderea permanentă, slăbirea, pierderea auzului, precum și alte probleme, cum ar fi acufena (zgomote, zumzet, șuierături sau vâjâituri în urechi).
2. Efectuați o evaluare a riscurilor privind pericolele de zgomot în zona de lucru și implementați controale corespunzătoare pentru aceste pericole.
3. Controalele adecvate pentru reducerea riscului pot include acțiuni cum ar fi materialele de amortizare pentru a preveni „vibrațiile” pieselor de prelucrat.
4. Folosiți protecție adecvată a auzului.

5. Operați și întrețineți mașina conform recomandărilor din aceste instrucțiuni, pentru a preveni o creștere inutilă a nivelului de zgomot.
6. Luați măsuri de reducere a zgomotului, de exemplu, amplasarea pieselor de prelucrat pe suporturi de atenuare a zgomotului.

Pericol de vibrații

1. Emisia de vibrații în timpul funcționării depinde de forța de prindere, forța presiunii de contact, direcția de lucru, ajustarea alimentării cu energie, piesa de prelucrat, suportul piesei de prelucrat. Efectuați o evaluare a riscurilor privind pericolele legate de vibrații și implementați controale corespunzătoare pentru aceste pericole.
2. Expunerea la vibrații poate cauza vătămări grave la nivelul nervilor și alimentării cu sânge a mâinilor și brațelor.
3. Purtați haine călduroase atunci când lucrați în condiții de frig, păstrați mâinile calde și uscate.
4. Dacă simțiți amorțeli, furnicăături, durere sau observați albirea pielii la nivelul degetelor sau mâinilor, solicitați sfatul unei persoane calificate în domeniul medical în ceea ce privește activitățile generale.
5. Operați și întrețineți mașina conform recomandărilor din aceste instrucțiuni, pentru a preveni o creștere inutilă a nivelului de vibrații.
6. Apucați mașina ușor, dar sigur, deoarece riscul de vibrații este în general mai mare atunci când forța de aderență este mai mare.

Avertizări suplimentare pentru mașinile pneumatice

1. Aerul comprimat poate provoca accidente grave.
2. Oprțiți întotdeauna alimentarea cu aer și deconectați mașina de la alimentarea cu aer, atunci când nu este utilizată.
3. Deconectați întotdeauna mașina de la sursa de aer comprimat înainte de schimbarea accesoriilor, efectuarea ajustărilor și/sau reparațiilor atunci când vă deplasați dintr-o zonă de operare în alta.
4. Țineți-vă degetele departe de butonul declanșator atunci când nu utilizați mașina și atunci când vă deplasați dintr-o poziție de operare în alta.
5. Nu îndreptați niciodată aerul comprimat direct către dumneavoastră sau oricine altcineva.
6. Furtunurile care se răsucesc pot provoca accidente grave. Verificați întotdeauna dacă furtunurile și accesoriile nu sunt deteriorate sau slăbite.
7. Nu transportați niciodată o mașină pneumatică trăgând de furtunul acesteia.
8. Nu trageți niciodată o mașină pneumatică trăgând de furtunul acesteia.
9. Atunci când utilizați mașini pneumatice, nu depășiți valoarea maximă a presiunii de funcționare.
10. Mașinile pneumatice trebuie alimentate numai cu aer comprimat, la cea mai mică presiune necesară pentru procesul de lucru pentru a reduce zgomotul și vibrațiile și pentru a minimiza uzura.

- Utilizarea oxigenului sau a gazelor combustibile pentru operarea mașinilor pneumatice creează un pericol de incendiu și de explozie.
- Procedați cu atenție atunci când utilizați mașini pneumatice deoarece acestea ar putea deveni reci, lucru ce afectează aderența și controlul.

Avvertizări suplimentare pentru mașinile cu capacități de acționare prin contact



- Nu vă sprijiniți degetul pe butonul declanșator când ridicați mașina, când vă deplasați între zonele și pozițiile de operare sau în timpul mersului, deoarece degetul plasat pe butonul declanșator poate duce la acționarea accidentală a mașinii. Pentru mașini cu acționare selectivă, verificați întotdeauna mașina înainte de utilizare pentru a stabili dacă este selectat modul corect.
- Această mașină fie are acționare selectivă pentru acționarea prin contact sau acționarea prin contact continuu prin selectorii modului de acționare, fie este o mașină cu acționare prin contact sau prin contact continuu și a fost marcată cu simbolul de mai sus. Utilizările sale de destinație sunt aplicațiile de producție, cum ar fi paleți, mobilier, locuințe fabricate, tapițerie și înveliș.
- În cazul în care utilizarea acestei mașini în modul de acționare selectivă, asigurați-vă întotdeauna că aceasta se află în setarea corectă de acționare.
- Nu utilizați această mașină în acționarea prin contact pentru aplicații, cum ar fi închiderea cutiilor sau lăzilor și montarea sistemelor de siguranță pentru transport pe remorci și camioane.
- Procedați cu atenție atunci când treceți de la un loc de acționare la altul.

Dispozitive de siguranță

- Asigurați-vă că toate sistemele de siguranță sunt funcționale înainte de utilizare. Mașina nu trebuie să fie utilizată dacă este acționat numai butonul declanșator sau dacă numai brațul de contact este presat pe lemn. Aceasta trebuie să funcționeze numai când se execută ambele acțiuni. Testați cu privire la posibila funcționare defecțuoasă, fără elemente de fixare și cu dispozitivul de împingere în poziție complet retrasă.
- Asigurarea întrerupătorului pe poziția ON (Conectat) este foarte periculoasă. Nu încercați să blocați butonul declanșator.
- Nu încercați să țineți apăsat cu bandă sau cu sârmă elementul de contact. Se poate produce rănirea gravă sau decesul.
- Verificați întotdeauna elementul de contact cum se arată în acest manual. Dacă mecanismul de siguranță nu funcționează corect, elementele de fixare pot fi acționate accidental.

Service

- Efectuați curățarea și întreținerea imediat după ce ați terminat lucrul. Păstrați mașina în stare excelentă. Lubrifiați componentele mobile pentru a preveni ruginirea și pentru a minimiza uzura prin frecare. Curățați praful de pe toate componentele.
- În ceea ce privește inspecția periodică a mașinii, adresați-vă centrului de service autorizat de Makita.
- Pentru a menține SIGURANȚA și FIABILITATEA produsului, întreținerea și reparațiile trebuie executate de centre de service Makita autorizate, folosind întotdeauna piese de schimb Makita.
- Respectați reglementările locale atunci când aruncați mașina.

PĂSTRAȚI ACESTE INSTRUCȚIUNI.

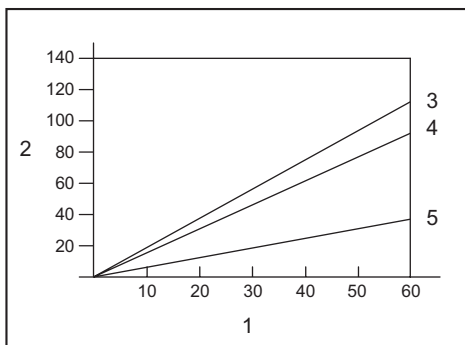
⚠️ AVERTIZARE: NU permiteți comodității și familiarizării cu produsul (obținute prin utilizare repetată) să înlocuiască respectarea strictă a normelor de securitate pentru acest produs. FOLOSIREA ÎN CORECTĂ sau nerespectarea normelor de securitate din acest manual de instrucțiuni poate provoca vătămări corporale grave.

DESCRIERE COMPONENTE

- Fig.1: 1. Buton declanșator 2. Element de contact 3. Selectorul modului de acționare 4. Magazin 5. Cărlig

INSTALARE

Alegerea compresorului



1. Frecvență de batere de cuie (ori/min) 2. Debitul de aer la ieșirea din compresor per minut (L/min) 3. 0,83 MPa (8,3 bar) 4. 0,66 MPa (6,6 bar) 5. 0,49 MPa (4,9 bar)

Compresorul de aer trebuie să fie conform cerințelor EN60335-2-34.

Selectați un compresor cu o presiune și o evacuare a aerului ample pentru a asigura o operație rentabilă. Graficul reprezintă relația dintre frecvența de batere a cuielor, presiunea aplicabilă și debitul de aer al compresorului.

În acest mod, de exemplu, dacă baterea cuielor are loc la o cadență de circa 60 de ori pe minut la o compresie de 0,83 MPa (8,3 bari), este necesar un compresor cu un debit de aer de peste 110 litri/minut.

Trbuie utilizate regulatoare de presiune pentru a limita presiunea aerului la presiunea nominală a mașinii, acolo unde presiunea alimentării cu aer depășește presiunea nominală a mașinii. În caz contrar se poate produce rănirea serioasă a operatorului mașinii sau a persoanelor din apropiere.

Alegerea furtunului de aer

ATENȚIE: Debitul mic de aer al compresorului sau un furtun lung sau cu diametru mai mic în raport cu frecvența baterii cuielor poate provoca o scădere a capacității de funcționare a mașinii.

► Fig.2

Folosiți un furtun de aer comprimat cât mai gros și mai scurt posibil pentru a asigura o operație eficientă de împușcat cuie.

La o presiune a aerului de 0,49 MPa (4,9 bar), se recomandă folosirea unui furtun de aer cu un diametru intern de peste 6,5 mm și o lungime mai mică de 20 m când intervalul dintre baterile cuielor este de 0,5 secunde.

Furtunurile de alimentare cu aer trebuie să aibă o presiune minimă de lucru de 1,03 MPa (10,3 bar) sau 150 % din presiunea maximă produsă în sistem, luându-se în considerare valoarea cea mai mare.

Lubrifierea

► Fig.3

Pentru a asigura o performanță maximă, instalați setul de dispozitive pentru aer comprimat (ungătorul, regulatorul, filtrul de aer) cât mai aproape de mașină. Reglați ungătorul astfel încât să fie furnizată o picătură de ulei la fiecare 30 de cuie.

Când nu se folosește un set de dispozitive pentru aer comprimat, ungeți mașina cu ulei pneumatic, punând 2 (două) sau 3 (trei) picături în ștuțul de aer. Acest lucru trebuie efectuat înainte și după utilizare.

Pentru o lubrifiere corectă, mașina trebuie declanșată de câteva ori după introducerea uleiului pneumatic.

► Fig.4: 1. Ulei pentru unelte pneumatice

DESCRIEREA FUNCȚIILOR

ATENȚIE: Înainte de a ajusta sau verifica funcția pe mașină, readuceți întotdeauna butonul declanșator în poziție și deconectați furtunul de aer de la mașină.

Reglarea adâncimii de batere a cuielor

ATENȚIE: Eliberați întotdeauna declanșatorul și deconectați furtunul, înainte de a regla adâncimea de împușcare a cuielor.

► Fig.5: 1. Dispozitiv de reglare

Pentru reglarea adâncimii de batere a cuielor, rotiți dispozitivul de reglaj.

Adâncimea de batere a cuielor este cea mai mare atunci când dispozitivul de reglaj este rotit complet în direcția A, indicată pe figură. Ea va deveni mai puțin adâncă pe măsură ce dispozitivul de reglaj este rotit în direcția B.

În cazul în care cuiile nu pot fi introduse suficient de adânc nici atunci când dispozitivul de reglaj este rotit complet în direcția A, creșteți presiunea aerului.

În cazul în care cuiile sunt introduse prea adânc atunci când dispozitivul de reglaj este rotit complet în direcția B, micșorați presiunea aerului.

Vorbind la modul general, durata de viață a mașinii va fi mai lungă atunci când este utilizată la o presiune mai mică a aerului și dispozitivul de reglaj este rotit la o adâncime mai mare de batere a cuielor.

Cârlig

ATENȚIE: Eliberați întotdeauna declanșatorul și deconectați furtunul, înainte de a schimba poziția cârligului.

ATENȚIE: Nu agățați niciodată mașina în locații înalte sau pe suprafețe potențial instabile.

ATENȚIE: Nu agățați cârligul de centura de la brâu. În cazul în care pistolul de bătut cuie cade accidental, poate duce la acționare neintenționată și la vătămări corporale.

► Fig.6

► Fig.7: 1. Cârlig 2. Șurub cu cap hexagonal 3. Orificiu

Cârligul este util pentru suspendarea temporară a mașinii.

Pentru a schimba poziția cârligului, scoateți șurubul cu cap hexagonal și schimbați direcția cârligului. Cârligul are două orificii. Alegeți orificiul în funcție de lățimea dorită a cârligului.

Reglarea ghidajului șindrilei

► **Fig.8:** 1. Element de contact 2. Ghidajul șindrilei 3. Șindrila

► **Fig.9:** 1. Placă de reglare 2. Pârghie

Ghidajul șindrilei este proiectat pentru expunerea uniformă a șindrilei.

Fixați șindrila în poziția dorită. Rotiți pârghia pentru a elibera placa de reglare. Fixați pistolul de bătut cuie astfel încât elementul de contact să apese atât pe șindrila expusă, cât și pe rândul anterior de șindrili. Glisați placa de reglare în sus spre partea inferioară a șindrilei expuse și reasezați pârghia pentru a bloca placa de reglare.

ASAMBLARE

ATENȚIE: Înainte de a efectua orice lucrări pe mașină, readuceți întotdeauna butonul declanșator în poziție și deconectați furtunul de aer de la mașină.

ATENȚIE: Când încărcați cuie în magazie, alegeți cuie de același tip, mărime și de lungime uniformă.

Încărcarea pistolului de bătut cuie

NOTĂ: Selectați cuie adecvate pentru lucrarea dvs.

NOTĂ: Fixați placa de fixare a bobinei în funcție de dimensiunea cuielor utilizate. Dacă mașina este utilizată cu placa de fixare a bobinei fixată la pasul incorect, alimentarea cuielor poate fi anevoioasă sau mașina se poate defecta.

1. Apăsăți piedica și deschideți capacul magaziei.

► **Fig.10:** 1. Capacul magaziei 2. Piedică

2. Ridicați și rotiți placa de fixare a bobinei astfel încât săgeata cu dimensiunea cuiului de pe placa de fixare a bobinei să indice creșterea gradată marcată pe magazie.

► **Fig.11:** 1. Placă de fixare a bobinei 2. Gradație 3. Săgeată

3. Poziționați bobina de cuie pe placa de fixare a bobinei. Desfășurați un număr suficient de cuie care să ajungă în gheara de alimentare. Amplasați primul cui în canalul dispozitivului de acționare și cel de-al doilea cui în gheara de alimentare. Amplasați alte cuie neînășurate pe corpul alimentatorului. Închideți capacul magaziei după ce ați verificat dacă bobina de cuie este fixată corect în magazie.

► **Fig.12:** 1. Gheară de alimentare

Conectarea furtunului de aer

ATENȚIE: Nu puneți degetul pe butonul declanșator atunci când conectați furtunul de aer.

► **Fig.13:** 1. Fiting de admisie aer 2. Manșon de aer
Glisați manșonul furtunului de aer pe fittingul de admisie a aerului de pe unealtă. Asigurați-vă că manșonul de aer se fixează ferm în poziție atunci când este instalat pe fittingul de admisie a aerului. Trebuie instalat un cuplal al furtunului pe sau în apropierea uneltei astfel încât presiunea rezervorului să fie descărcată în momentul deconectării cuplajului alimentării cu aer.

OPERAREA

ATENȚIE: Asigurați-vă că toate sistemele de siguranță sunt funcționale înainte de utilizare.

Verificarea acționării corecte înainte de utilizare

Înainte de utilizare, verificați întotdeauna următoarele puncte.

- Asigurați-vă că mașina nu funcționează doar prin conectarea furtunului de aer.
- Asigurați-vă că mașina nu funcționează doar prin tragerea declanșatorului.
- Asigurați-vă că mașina nu funcționează doar prin amplasarea elementului de contact pe piesa de prelucrat, fără tragerea declanșatorului.
- În modul de acționare secvențială unică, asigurați-vă că mașina nu funcționează atunci când mai întâi se trage declanșatorul și apoi se amplasează elementul de contact pe piesa de prelucrat.


Selectarea modului de operare

ATENȚIE: Asigurați-vă întotdeauna că selectorul modului de acționare este setat corespunzător în poziție pentru modul de batere a cuielor dorit, înainte de baterea cuielor.

► **Fig.14:** 1. Selectorul modului de acționare


Mod acționare secvențială unică:

Puteți introduce un cui printr-o singură operație secvențială. Selectați acest mod atunci când introduceți un cui cu atenție și precizie.

Pentru a alege acest mod, setați selectorul modului de acționare în poziția .

Mod de acționare prin contact:

Puteți introduce cuietele în mod repetat plasând elementul de contact cu butonul declanșator tras.

Pentru a alege acest mod, setați selectorul modului de acționare în poziția .

Aționare secvențială unică

ATENȚIE: Nu puneți elementul de contact pe piesa de prelucrat cu o forță excesivă. De asemenea, trageți complet întrerupătorul declanșator și mențineți-l pornit pentru 1-2 secunde după bătărea de cuie.

Chiar și în modul „Acționare secvențială unică”, un declanșator pe jumătate tras provoacă o bătărea de cuie neașteptată atunci când elementul de contact intră din nou în contact cu piesa de prelucrat.

Amplasați elementul de contact pe piesa de prelucrat și trageți complet declanșatorul. După bătărea cuielei, eliberați elementul de contact, iar apoi eliberați declanșatorul.

► Fig.15

Aționare prin contact



Trageți mai întâi declanșatorul și apoi amplasați elementul de contact pe piesa de prelucrat.

► Fig.16

Scoaterea cuielei blocate

ATENȚIE: Reduceți întotdeauna butonul declanșator în poziție și deconectați furtunul de aer comprimat, înainte de a scoate cuiele blocate.

ATENȚIE: Nu utilizați cuie deformate sau o bandă de cuie deformată. În caz contrar, alimentarea cu cuie poate fi deficitară.

► Fig.17: 1. Ciocan 2. Tijă scurtă 3. Orificiu de evacuare

Dacă pistolul de bătut cuie se blochează, respectați următorii pași: Deschideți capacul magaziei și scoateți bobina de cuie. Introduceți o tijă scurtă sau un obiect asemănător în orificiul de evacuare și loviți cu un ciocan pentru a scoate cuiul blocat din orificiul de evacuare. Fixați din nou bobina de cuie și închideți capacul magaziei.

ÎNȚEȚINERE

ATENȚIE: Înainte de a încerca să efectuați lucrări de inspecție sau întreținere, reduceți întotdeauna butonul declanșator în poziție și deconectați furtunul de aer de la mașină.

NOTĂ: Nu utilizați niciodată gazolină, benzină, diluant, alcool sau alte substanțe asemănătoare, decât dacă se specifică acest lucru în acest manual. În caz contrar, pot rezulta decolorări, deformări sau fisuri.

Cuie

Manipulați cu grijă bobinele de cuie și cutia acestora. Dacă sunt manipulate dur, bobinele de cuie se pot deforma, iar alimentarea acestora poate deveni anevoioasă.

Evitați depozitarea cuielor într-un spațiu cu umiditate ridicată, la temperaturi mari, sau în bătaia directă a razelor solare.

Curățarea și îndepărtarea smoalei și a murdăriei

ATENȚIE: Pentru a vă proteja mâinile, purtați întotdeauna mănuși impermeabile.

Aderarea smoalei și a murdăriei la zonele din jurul elementului de contact va preveni mișcarea lină a elementului de contact (mecanismul de siguranță), cauzând declanșarea accidentală. Curățați regulat zonele din jurul elementului de contact.

Folosiți un solvent precum cherosenul, #2 un amestec de combustibil și ulei sau combustibil diesel. Imersați doar elementul de contact și zonele din jurul orificiului de evacuare în solvent și îndepărtați smoala și murdăria cu o perie.

► Fig.18

NOTĂ: Nu imersați niciodată carcasa, magazia etc. în solvent. Acest lucru poate cauza defectarea mașinii.

NOTĂ: Eliminați întotdeauna solventul utilizat ca deșeu într-o manieră sigură și prudentă și în conformitate cu toate cerințele prevăzute în codurile locale și naționale.

Întreținerea capsatorului pentru cuie

Înainte de utilizare, verificați întotdeauna starea generală a mașinii și dacă nu are șuruburi slăbite. Strângeți-le cum trebuie.

Cu mașina deconectată, efectuați zilnic verificări pentru a vă asigura de libera mișcare a elementului de contact și a butonului declanșator. Nu folosiți mașina dacă elementul de contact sau butonul declanșator se înțepesc sau merg greu.

Când mașina nu este utilizată, pentru o perioadă mai mare de timp, lubrifiați-o folosind ulei pneumatic și depozitați-o în siguranță. Evitați expunerea ei la acțiunea directă a luminii soarelui și/sau într-un mediu umed sau cald.

► Fig.19

Întreținerea compresorului, setului de dispozitive pentru aer comprimat și a furtunului de aer

După utilizare, scurgeți întotdeauna rezervorul compresorului și filtrul de aer. Dacă umezeala pătrunde în mașină, pot rezulta o performanță slabă și o posibilă defectare a mașinii.

► **Fig.20:** 1. Robinet de drenaj

► **Fig.21:** 1. Filtru de aer

Verificați regulat să vedeți dacă există suficient ulei pneumatic în ungătorul din setul de dispozitive. Dacă nu se menține o lubrifiere suficientă, garniturile inelare se vor uza rapid.

► **Fig.22:** 1. Ungător 2. Ulei pentru unelte pneumatice

Țineți furtunul de aer departe de căldură (peste 60°C, peste 140°F), departe de substanțe chimice (solvenți, acizi puternici sau substanțe alcaline). De asemenea, poziționați furtunul departe de obstacole de care se poate agăța periculos în timpul utilizării. Furtunurile trebuie, de asemenea, situate departe de marginile ascuțite și de zonele care pot duce la deteriorarea sau roaderea furtunului.

Pentru a menține SIGURANȚA și FIABILITATEA produsului, reparațiile și orice alte lucrări de întreținere sau reglare trebuie executate de centre de service Makita autorizate sau proprii, folosind întotdeauna piese de schimb Makita.

ACCESORII OPȚIONALE

⚠ATENȚIE: Folosiți accesoriile sau piesele auxiliare recomandate pentru mașina dumneavoastră Makita în acest manual. Utilizarea oricăror alte accesorii sau piese auxiliare poate prezenta risc de vătămare corporală. Utilizați accesoriile și piesele auxiliare numai în scopul destinat.

Dacă aveți nevoie de asistență sau de mai multe detalii referitoare la aceste accesorii, adresați-vă centrului local de service Makita.

- Cuie
- Furtun de aer
- Ochelari de protecție

NOTĂ: Unele articole din listă pot fi incluse ca accesorii standard în ambalajul de scule. Acestea pot diferi în funcție de țară.

TECHNISCHE DATEN

Modell:		AN454
Luftdruck		0,49 - 0,83 MPa (4,9 - 8,3 bar)
Befestigungselement	Typ	Drahtgebundene Coinnägel (Dachnägel)
	Länge	19 mm - 45 mm
	Durchmesser	3,05 mm
Nagelkapazität		120 Stück
Druckluftwerkzeugöl		ISO VG32 oder gleichwertiges Öl
Minimaler Schlauchdurchmesser		6,5 mm
Abmessungen (L x B x H)		256 mm x 117 mm x 271 mm
Nettogewicht		2,4 kg

- Wir behalten uns vor, Änderungen der technischen Daten im Zuge der Entwicklung und des technischen Fortschritts ohne vorherige Ankündigung vorzunehmen.
- Die technischen Daten können von Land zu Land unterschiedlich sein.

Symbole

Nachstehend sind Symbole aufgeführt, auf die Sie beim Werkzeuggebrauch stoßen können. Sie sollten noch vor Arbeitsbeginn ihre Bedeutung kennen.



Betriebsanleitung lesen.



Schutzbrille tragen.



Einen Gehörschutz tragen.



Das Werkzeug besitzt die Fähigkeit, im Kontaktauslösemodus zu arbeiten.



Werkzeug nicht auf Gerüsten oder Leitern verwenden.

Vorgesehene Verwendung

Das Werkzeug ist für vorbereitende Innenarbeiten, wie das Befestigen von Bodenbalken oder allgemeinen Dachsparren und Balkenwerk beim 2" x 4" Hausbau, vorgesehen.

Das Werkzeug ist nur für professionelle Massenanwendung vorgesehen. Benutzen Sie es nicht für andere Zwecke. Es ist nicht dazu ausgelegt, Befestigungselemente direkt auf einer harten Oberfläche, wie z. B. Stahl und Beton, einzutreiben.

Geräusch

Typischer A-bewerteter Geräuschpegel ermittelt gemäß ISO11148-13(EN12549):

Schalldruckpegel (L_{pA}): 102 dB (A)

Schalleistungspegel (L_{WA}): 113 dB (A)

Messunsicherheit (K): 1,5 dB (A)

HINWEIS: Der (Die) angegebene(n)

Schallemissionswert(e) wurde(n) im Einklang mit der Standardprüfmethode gemessen und kann (können) für den Vergleich zwischen Werkzeugen herangezogen werden.

HINWEIS: Der (Die) angegebene(n)

Schallemissionswert(e) kann (können) auch für eine Vorbewertung des Gefährdungsgrads verwendet werden.

⚠️ WARNUNG: Einen Gehörschutz tragen.

⚠️ WARNUNG: Die Schallemission während der tatsächlichen Benutzung des Elektrowerkzeugs kann je nach der Benutzungsweise des Werkzeugs, und speziell je nach der Art des bearbeiteten Werkstücks, von dem (den) angegebenen Wert(en) abweichen.

⚠️ WARNUNG: Identifizieren Sie Sicherheitsmaßnahmen zum Schutz des Benutzers anhand einer Schätzung des Gefährdungsgrads unter den tatsächlichen Benutzungsbedingungen (unter Berücksichtigung aller Phasen des Arbeitszyklus, wie z. B. Ausschalt- und Leerlaufzeiten des Werkzeugs zusätzlich zur Betriebszeit).

Schwingungen

Der Schwingungsgesamtwert wurde gemäß ISO11148-13(ISO8662-11) ermittelt:

Schwingungsemission (a_{hv}): 5,7 m/s²

Messunsicherheit (K): 1,5 m/s²

HINWEIS: Der (Die) angegebene(n) Vibrationsgesamtwert(e) wurde(n) im Einklang mit der Standardprüfmethode gemessen und kann (können) für den Vergleich zwischen Werkzeugen herangezogen werden.

HINWEIS: Der (Die) angegebene(n) Vibrationsgesamtwert(e) kann (können) auch für eine Vorbewertung des Gefährdungsgrads verwendet werden.

⚠️ WARNUNG: Die Vibrationsemission während der tatsächlichen Benutzung des Elektrowerkzeugs kann je nach der Benutzungsweise des Werkzeugs, und speziell je nach der Art des bearbeiteten Werkstücks, von dem (den) angegebenen Emissionswert(en) abweichen.

⚠️ WARNUNG: Identifizieren Sie Sicherheitsmaßnahmen zum Schutz des Benutzers anhand einer Schätzung des Gefährdungsgrads unter den tatsächlichen Benutzungsbedingungen (unter Berücksichtigung aller Phasen des Arbeitszyklus, wie z. B. Ausschalt- und Leerlaufzeiten des Werkzeugs zusätzlich zur Betriebszeit).

EG-Konformitätserklärung

Nur für europäische Länder

Die EG-Konformitätserklärung ist als Anhang A in dieser Bedienungsanleitung enthalten.

SICHERHEITSWARNUNGEN

Sicherheitswarnungen für Druckluftnagel/-tacker

⚠️ WARNUNG: Lesen Sie alle Sicherheitshinweise und Anweisungen durch. Die Nichtbeachtung der Warnungen und Anweisungen kann zu schweren Verletzungen, Stromschlag und/oder Feuer führen.

Bewahren Sie alle Warnungen und Anweisungen für spätere Bezugnahme auf.

Lesen Sie vor dem Gebrauch des Werkzeugs diese Bedienungsanleitung, um die Personensicherheit und die richtige Bedienung und Wartung des Werkzeugs sicherzustellen.

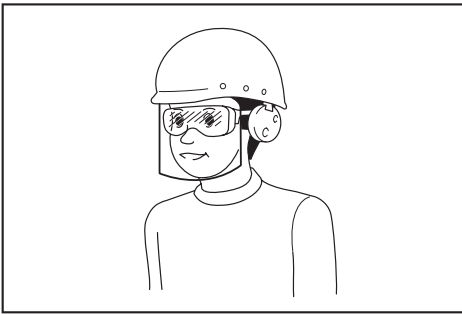
Allgemeine Sicherheitshinweise

1. Jeder andere Gebrauch außer dem beabsichtigten Gebrauch dieses Werkzeugs ist verboten. Eintreibgeräte mit ständiger Kontaktauslösung oder Kontaktauslösung dürfen nur für Produktionsanwendungen verwendet werden.
2. Halten Sie die Finger vom Auslöser fern, wenn Sie dieses Werkzeug nicht benutzen, und wenn Sie von einer Arbeitsposition zu einer anderen wechseln.

3. Mehrfache Gefahren. Lesen und verstehen Sie die Sicherheitsanweisungen, bevor Sie Zubehör am Werkzeug anschließen, abtrennen, laden, betreiben, das Werkzeug warten, oder Zubehör am Werkzeug wechseln. Anderenfalls kann es zu schweren Körperverletzungen kommen.
4. Halten Sie alle Körperteile, wie Hände und Beine usw., aus der Schussrichtung fern, und stellen Sie sicher, dass das Befestigungselement nicht durch das Werkstück hindurch in Teile des Körpers eindringen kann.
5. Beachten Sie bei Benutzung des Werkzeugs, dass das Befestigungselement abgelenkt werden und Verletzungen verursachen kann.
6. Halten Sie das Werkzeug mit festem Griff, und richten Sie sich darauf ein, Rückstoß abzufangen.
7. Nur technisch versierte Bediener sollten das Eintreibgerät benutzen.
8. Unterlassen Sie jegliche Abänderung des Eintreibgeräts. Abänderungen können die Effektivität der Sicherheitsmaßnahmen verringern und die Gefahren für den Bediener und/oder Umstehende erhöhen.
9. Werfen Sie die Betriebsanleitung nicht weg.
10. Benutzen Sie ein Werkzeug nicht, wenn es beschädigt worden ist.
11. Lassen Sie bei der Handhabung von Befestigungselementen, besonders beim Beladen und Entladen, Vorsicht walten, da die Befestigungselemente scharfe Spitzen aufweisen, die Verletzungen verursachen können.
12. Überprüfen Sie das Werkzeug vor Gebrauch immer auf beschädigte, falsch angeschlossene oder verschlissene Teile.
13. Strecken Sie sich bei der Arbeit nicht zu weit vor. Benutzen Sie das Werkzeug nur an einem sicheren Arbeitsplatz. Achten Sie stets auf sicheren Stand und gute Balance.
14. Halten Sie Umstehende fern (wenn Sie in einem Bereich arbeiten, wo die Wahrscheinlichkeit von Passanten-Durchgangsverkehr hoch ist). Grenzen Sie Ihren Arbeitsbereich klar ab.
15. Richten Sie das Werkzeug niemals auf sich selbst oder andere Personen.
16. Legen Sie Ihren Finger nicht auf den Auslöser, wenn Sie das Werkzeug aufheben, sich zwischen Arbeitsbereichen und -positionen bewegen oder gehen, weil das zu einer unbeabsichtigten Betätigung führen kann. Werkzeuge mit selektiver Betätigung sind vor Gebrauch stets zu überprüfen, um sicherzustellen, dass der korrekte Modus gewählt ist.
17. Tragen Sie nur Handschuhe, die ein angemessenes Gefühl und sichere Kontrolle von Auslösern und Einstellvorrichtungen gewähren.
18. Legen Sie das Werkzeug im Ruhezustand auf einer ebenen Fläche ab. Wenn Sie den am Werkzeug angebrachten Aufhänger verwenden, hängen Sie das Werkzeug sicher an einer stabilen Oberfläche auf.
19. Unter dem Einfluss von Alkohol, Drogen oder dergleichen nicht in Betrieb nehmen.

Gefahren von Geschossen

1. Das Eintreibgerät ist grundsätzlich von der Druckluftquelle zu trennen, wenn Befestigungselemente entladen, Einstellungen vorgenommen, Nagelstaus beseitigt oder Zubehörteile gewechselt werden.
2. Achten Sie während der Arbeit darauf, dass die Befestigungselemente das Material korrekt durchdringen und nicht fälschlicherweise auf den Bediener und/oder Umstehende abgeleckt/abgeschossen werden können.
3. Während der Arbeit können Bruchstücke vom Werkstück und Befestigungs-/Sammelsystem abgegeben werden.
4. Tragen Sie stets eine Schutzbrille, um Ihre Augen bei Verwendung von Elektrowerkzeugen vor Verletzung zu schützen. Die Brille muss den Vorschriften ANSI Z87.1 in den USA, EN 166 in Europa oder AS/NZS 1336 in Australien/Neuseeland entsprechen. In Australien/Neuseeland ist das Tragen eines Gesichtsschutzes gesetzlich vorgeschrieben, um auch Ihr Gesicht zu schützen.



Der Arbeitgeber ist dafür verantwortlich, den Gebrauch von angemessener Schutzausrüstung für die Werkzeugbenutzer und andere Personen im unmittelbaren Arbeitsbereich durchzusetzen.

5. Die Gefahren für andere Personen sind vom Bediener zu beurteilen.
6. Lassen Sie bei Werkzeugen ohne Werkstückkontakt Vorsicht walten, weil sie unbeabsichtigt ausgelöst werden können und den Bediener und/oder Umstehende verletzen können.
7. Vergewissern Sie sich stets, dass das Werkzeug sicher auf dem Werkstück aufsitzt und nicht abrutschen kann.
8. Tragen Sie einen Gehörschutz, um Ihre Ohren vor dem Auslassgeräusch zu schützen, und einen Kopfschutz. Tragen Sie außerdem leichte, aber keine weite Kleidung. Ärmel müssen zugeknöpft oder hochgerollt sein. Das Tragen einer Krawatte ist unzulässig.

Gefahren beim Betrieb

1. Halten Sie das Werkzeug korrekt: richten Sie sich darauf ein, normalen oder plötzlichen Bewegungen, wie z. B. Rückstoß, entgegenzuwirken.
2. Behalten Sie eine ausbalancierte Körperhaltung und sicheren Stand bei.

3. Tragen Sie eine geeignete Schutzbrille; außerdem wird das Tragen geeigneter Handschuhe und Schutzkleidung empfohlen.
4. Tragen Sie einen geeigneten Gehörschutz.
5. Verwenden Sie die korrekte Energiequelle gemäß den Anweisungen in der Betriebsanleitung.
6. Benutzen Sie das Werkzeug nicht auf beweglichen Plattformen oder auf der Ladefläche von Lastwagen. Eine plötzliche Bewegung der Plattform kann zum Verlust der Kontrolle über das Werkzeug führen und Verletzungen verursachen.
7. Gehen Sie stets davon aus, dass sich Befestigungsmittel im Werkzeug befinden.
8. Arbeiten Sie nicht überhastet, und verwenden Sie das Werkzeug nicht mit zu hohem Kraftaufwand. Gehen Sie mit dem Werkzeug sorgfältig um.
9. Achten Sie beim Arbeiten mit dem Werkzeug auf sicheren Stand und auf Ihr Gleichgewicht. Stellen Sie sicher, dass sich bei Arbeiten an hochgelegenen Arbeitsplätzen keine Personen unterhalb Ihres Standorts aufhalten, und sichern Sie den Druckluftschlauch, um Gefahren durch plötzliches Rucken oder Hängenbleiben zu vermeiden.
10. Bewegen Sie sich beim Eintreiben von Befestigungsmitteln auf Dächern und anderen hochgelegenen Orten in Vorwärtsrichtung. Wenn Sie sich beim Arbeiten rückwärts bewegen, können Sie leicht den Stand verlieren. Arbeiten Sie beim Eintreiben von Befestigungsmitteln an senkrechten Flächen von oben nach unten. Das Arbeiten auf diese Weise ist weniger ermüdend.
11. Wenn Sie versehentlich auf ein anderes Befestigungsmittel oder auf einen Ast im Holz treffen, kann sich das Befestigungsmittel verbiegen oder im Werkzeug verklemmen. Das Befestigungsmittel kann herausgeschleudert werden und Personen treffen, oder das Werkzeug selbst kann gefährliche Bewegungen machen. Setzen Sie die Befestigungsmittel mit Sorgfalt.
12. Das mit Befestigungsmitteln geladene Werkzeug und den Kompressor nicht längere Zeit der Sonneneinstrahlung aussetzen - insbesondere, wenn sie unter Druck stehen. Achten Sie darauf, dass am Ablageplatz des Werkzeugs keine Fremdkörper wie Staub, Sand, Späne oder sonstige Materialien in das Werkzeug eindringen.
13. Treiben Sie Befestigungsmittel niemals gleichzeitig von innen und außen ein. Die Befestigungsmittel können durchschießen und/oder umherfliegen und stellen eine große Gefahr dar.

RSI-Syndrom verursachende Gefahren

1. Wird ein Werkzeug über längere Zeitspannen benutzt, kann der Bediener Beschwerden in Händen, Armen, Schultern, Nacken oder anderen Körperteilen verspüren.
2. Bei der Benutzung eines Werkzeugs sollte der Bediener eine geeignete, aber ergonomische Haltung annehmen. Behalten Sie sicheren Stand bei, und vermeiden Sie unbehagliche oder unausbalancierte Haltungen.

3. Falls der Bediener Symptome, wie z. B. anhaltende oder immer wiederkehrende Beschwerden, Schmerzen, Pochen, Reißen, Kribbeln, Taubheit, Brennen oder Steifigkeit verspürt, sollten diese Warnzeichen nicht ignoriert werden. Der Bediener sollte einen qualifizierten Gesundheitsexperten in Bezug auf allgemeine Aktivitäten konsultieren.
4. Fortgesetzter Gebrauch des Werkzeugs kann RSI-Syndrom durch den vom Werkzeug erzeugten Rückstoß verursachen.
5. Um RSI-Syndrom zu vermeiden, sollte sich der Bediener nicht übernehmen oder übermäßige Kraft anwenden. Darüber hinaus sollte der Bediener eine Pause einlegen, wenn er Müdigkeit verspürt.
6. Führen Sie eine Gefährdungsabschätzung bezüglich Gefahren durch wiederholte Beanspruchung durch. Diese sollte sich auf Muskel-Skelett-Erkrankungen konzentrieren und vorzugsweise auf der Annahme basieren, dass geringere Ermüdung während der Arbeit effektiv zur Reduzierung von Erkrankungen ist.

Durch Zubehör und Verbrauchsmaterial verursachte Gefahren

1. Trennen Sie das Werkzeug von seiner jeweiligen Energiequelle, wie z. B. Luft oder Gas oder Batterie, wo anwendbar, bevor Sie Zubehörteile, wie z. B. den Werkstückkontakt, austauschen oder Einstellungen vornehmen.
2. Verwenden Sie nur Zubehörteile der vom Hersteller gelieferten Größen und Typen.
3. Verwenden Sie nur die in dieser Anleitung empfohlenen Schmiermittel.

Gefahren am Arbeitsplatz

1. Ausrutschen, Stolpern und Stürzen sind Hauptursachen für Verletzungen am Arbeitsplatz. Achten Sie auf schlüpfrige Oberflächen, die durch den Gebrauch des Werkzeugs verursacht werden, und auch auf Stolpergefahren, die durch den Druckluftschlauch verursacht werden.
2. Lassen Sie in fremden Umgebungen zusätzliche Sorgfalt walten. Verborgene Gefahren, wie z. B. Stromkabel oder andere Versorgungsleitungen, können vorhanden sein.
3. Dieses Werkzeug ist nicht für den Einsatz in potenziell explosiven Atmosphären vorgesehen und ist nicht gegen Kontakt mit Strom isoliert.
4. Vergewissern Sie sich, dass keine Stromkabel, Gasrohre usw. vorhanden sind, die bei Beschädigung durch den Einsatz des Werkzeugs eine Gefahr darstellen können.
5. Der Arbeitsplatz muss sauber, aufgeräumt und gut beleuchtet sein. Unordnung und Dunkelheit am Arbeitsbereich bringen Unfallgefahren mit sich.
6. Befolgen Sie etwaige örtliche Lärmschutzvorschriften, und halten Sie die vorgeschriebenen Grenzen für Geräuschpegel ein. In bestimmten Fällen muss der Lärmpegel mit Hilfe von Schallschutzwänden/-lamellen gedämpft werden.

Durch Staub und Abgase verursachte Gefahren

1. Überprüfen Sie stets Ihre Umgebung. Die vom Werkzeug ausgeblasene Luft kann Staub oder Objekte aufwirbeln und den Bediener und/oder Umstehende treffen.
2. Lenken Sie die Abluft so, dass Aufwirbelung von Staub in einer staubgefüllten Umgebung minimiert wird.
3. Werden Staub oder Objekte im Arbeitsbereich emittiert, reduzieren Sie die Emissionen so weit wie möglich, um Gesundheitsrisiken und Verletzungsgefahr zu verringern.

Gefahren durch Lärm

1. Ungeschützte Einwirkung von hohen Geräuschpegeln kann permanente, behindernde Gehörschädigung und andere Probleme wie Tinnitus (Klingeln), Sausen, Pfeifen oder Brummen in den Ohren) verursachen.
2. Führen Sie eine Gefährdungsabschätzung bezüglich Lärmgefahren im Arbeitsbereich durch, und realisieren Sie angemessene Kontrollen für diese Gefahren.
3. Geeignete Kontrollen zur Verringerung des Risikos können Maßnahmen, wie Dämpfungsmaterial, beinhalten, um „Klingeln“ von Werkstücken zu verhindern.
4. Verwenden Sie einen geeigneten Gehörschutz.
5. Betreiben und warten Sie das Werkzeug gemäß den Empfehlungen in dieser Anleitung, um eine unnötige Zunahme von Geräuschpegeln zu verhindern.
6. Ergreifen Sie Lärmreduzierungsmaßnahmen, indem Sie beispielsweise Werkstücke auf Schalldämpfungsstützen legen.

Gefahren durch Vibrationen

1. Die Schwingungsemission während der Arbeit hängt von der Greifkraft, der Anpresskraft, der Arbeitsrichtung, der Einstellung der Energieversorgung, dem Werkstück und der Werkstückauflage ab. Führen Sie eine Gefährdungsabschätzung bezüglich Vibrationsgefahren durch, und realisieren Sie angemessene Kontrollen für diese Gefahren.
2. Einwirkung von Vibrationen kann behindernde Schäden an den Nerven und Blutgefäßen der Hände und Arme verursachen.
3. Tragen Sie beim Arbeiten unter kalten Bedingungen warme Kleidung, und halten Sie Ihre Hände warm und trocken.
4. Wenn Sie Taubheit, Kribbeln, Schmerzen oder Bleichwerden der Haut an Ihren Fingern oder Händen erleben, holen Sie sich medizinischen Rat von einem qualifizierten Berufsmediziner in Bezug auf allgemeine Aktivitäten.
5. Betreiben und warten Sie das Werkzeug gemäß den Empfehlungen in dieser Anleitung, um eine unnötige Zunahme von Vibrationspegeln zu verhindern.
6. Halten Sie das Werkzeug mit leichtem, aber sicherem Griff, weil die Gefährdung durch Vibrationen bei höherer Greifkraft im Allgemeinen größer ist.

Zusätzliche Warnungen für Druckluftwerkzeuge

1. Druckluft kann schwere Verletzungen verursachen.
2. Stellen Sie immer die Druckluftversorgung ab, und trennen Sie das Werkzeug von der Druckluftversorgung, wenn es nicht benutzt wird.

3. Trennen Sie das Werkzeug immer von der Druckluftversorgung, bevor Sie Zubehörteile wechseln, Einstellungen und/oder Reparaturen vornehmen, und wenn Sie sich von einem Arbeitsbereich zu einem anderen bewegen.
4. Halten Sie die Finger vom Auslöser fern, wenn Sie dieses Werkzeug nicht benutzen, und wenn Sie von einer Arbeitsposition zu einer anderen wechseln.
5. Richten Sie Druckluft niemals auf sich selbst oder andere Personen.
6. Peitschende Schläuche können schwere Verletzungen verursachen. Prüfen Sie stets, ob beschädigte oder lockere Schläuche oder Anschlussstutzen vorhanden sind.
7. Tragen Sie ein Druckluftwerkzeug niemals an seinem Schlauch.
8. Ziehen Sie ein Druckluftwerkzeug niemals an seinem Schlauch.
9. Bei Benutzung von Druckluftwerkzeugen darf der maximale Betriebsdruck $p_s \text{ max.}$ nicht überschritten werden.
10. Druckluftwerkzeuge sollten nur mit Druckluft bei der niedrigsten für den Arbeitsvorgang erforderlichen Druckeinstellung betrieben werden, um Lärm und Vibrationen zu verringern und Verschleiß zu minimieren.
11. Die Verwendung von Sauerstoff oder brennbaren Gasen für den Betrieb von Druckluftwerkzeugen erzeugt eine Brand- und Explosionsgefahr.
12. Lassen Sie bei der Benutzung von Druckluftwerkzeugen Vorsicht walten, weil das Werkzeug kalt werden könnte, wodurch Griff und Kontrolle beeinflusst werden.

Zusätzliche Warnungen für Werkzeuge mit Kontaktauslösungsvermögen



1. Legen Sie Ihren Finger nicht auf den Auslöser, wenn Sie das Werkzeug aufheben, sich zwischen Arbeitsbereichen und -positionen bewegen oder gehen, weil das zu einer unbeabsichtigten Betätigung führen kann. Werkzeuge mit selektiver Betätigung sind vor Gebrauch stets zu überprüfen, um sicherzustellen, dass der korrekte Modus gewählt ist.
2. Dieses Werkzeug verfügt entweder über selektive Betätigung für Kontaktauslösung oder ständige Kontaktauslösung durch einen Auslösemoduswähler, oder es handelt sich um ein Werkzeug mit Kontaktauslösung oder ständiger Kontaktauslösung, das mit dem obigen Symbol markiert worden ist. Es ist für Produktionsanwendungen, wie z. B. Paletten, Möbel, Fertighäuser, Polstermöbel und Verschalung, vorgesehen.
3. Wenn Sie dieses Werkzeug im Modus für selektive Betätigung verwenden, stellen Sie stets sicher, dass die korrekte Betätigungseinstellung gewählt ist.

4. Verwenden Sie dieses Werkzeug nicht in Kontaktauslösung für Anwendungen, wie z. B. Schließen von Kisten oder Verschlüssen und Anbringen von Transport-Sicherheitssystemen an Anhängern und Lastwagen.
5. Lassen Sie Vorsicht walten, wenn Sie von einem Eintreibort zu einem anderen wechseln.

Sicherheitsvorrichtungen

1. Stellen Sie vor der Benutzung des Werkzeugs sicher, dass alle Sicherheitssysteme in funktionsfähigem Zustand sind. Das Werkzeug darf nicht auslösen, wenn nur der Ein-Aus-Schalter betätigt oder nur der Kontaktarm gegen das Holz gedrückt wird. Es darf nur dann auslösen, wenn beides gleichzeitig erfolgt. Überprüfen Sie das Werkzeug ohne Befestigungsmittel und bei voll angezogenem Drucker auf mögliche Funktionsfehler.
2. Die Arretierung des Auslösers in der EIN-Stellung ist sehr gefährlich. Versuchen Sie niemals, den Auslöser zu arretieren.
3. Versuchen Sie nicht, das Kontaktelement mit Klebeband oder Draht in gedrücktem Zustand zu fixieren. Es besteht Verletzungs- und Lebensgefahr.
4. Überprüfen Sie stets das Kontaktelement entsprechend der Vorgaben in dieser Anleitung. Wenn der Sicherheitsmechanismus nicht ordnungsgemäß funktioniert, können unbeabsichtigt Befestigungsmittel aus dem Werkzeug geschossen werden.

Wartung

1. Reinigen und warten Sie das Werkzeug direkt nach Beendigung der Arbeiten. Halten Sie das Werkzeug in einwandfreiem Zustand. Schmieren Sie bewegliche Teile, um Rostbildung zu verhindern und reibungsbedingten Verschleiß zu minimieren. Wischen Sie sämtlichen Staub von den Teilen ab.
2. Lassen Sie das Werkzeug regelmäßig bei einem autorisierten Makita-Servicecenter überprüfen.
3. Um die SICHERHEIT und die ZUVERLÄSSIGKEIT des Produkts zu gewährleisten, dürfen Reparatur- und Wartungsarbeiten ausschließlich von autorisierten Makita-Servicecentern durchgeführt werden. Es dürfen nur Original-Ersatzteile von Makita verwendet werden.
4. Befolgen Sie die örtlichen Vorschriften zur Entsorgung des Werkzeugs.

DIESE ANWEISUNGEN AUFBEWAHREN.

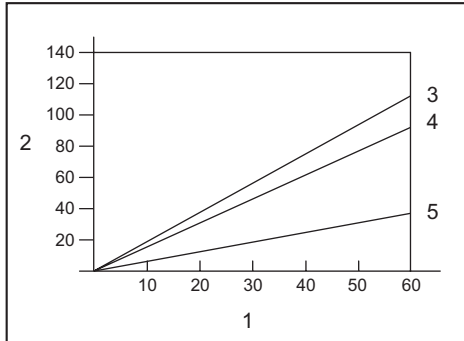
⚠️ WARNUNG: Lassen Sie sich NICHT durch Bequemlichkeit oder Vertrautheit mit dem Produkt (durch wiederholten Gebrauch erworben) von der strikten Einhaltung der Sicherheitsregeln für das vorliegende Produkt abhalten. MISSBRAUCH oder Missachtung der Sicherheitsvorschriften in dieser Anleitung können schwere Personenschäden verursachen.

BEZEICHNUNG DER TEILE

- **Abb.1:** 1. Auslöser 2. Kontaktelement
3. Auslösemoduswähler 4. Magazin 5. Aufhänger

INSTALLATION

Auswählen des Kompressors



1. Schussfrequenz (Auslösungen/Minute) 2. Kompressor-Luftleistung pro Minute (L/min) 3. 0,83 MPa (8,3 bar)
4. 0,66 MPa (6,6 bar) 5. 0,49 MPa (4,9 bar)

Der Luftkompressor muss den Anforderungen von EN60335-2-34 entsprechen.

Wählen Sie einen Kompressor mit reichlicher Luftdruck- und Luftmengenleistung, um kosteneffizienten Betrieb zu gewährleisten. Das Diagramm zeigt die Beziehung zwischen Schussfrequenz, anwendbarem Druck und Kompressor-Luftleistung.

Wenn der Nagelbetrieb beispielsweise mit einer Rate von ca. 60 Auslösungen pro Minute bei einem Druck von 0,83 MPa (8,3 bar) erfolgt, ist ein Kompressor mit einer Luftmengenleistung von über 110 Liter/Minute erforderlich.

Der Luftdruck muss mit Druckreglern auf den Nenndruck des Werkzeugs begrenzt werden, wenn der Luftquellendruck den Nenndruck des Werkzeugs überschreitet. Eine Missachtung dieses Punkts kann zu schweren Verletzungen des Werkzeugbenutzers oder umstehender Personen führen.

Auswählen des Druckluftschlauchs

⚠ VORSICHT: Eine zu geringe Luftleistung des Kompressors oder ein Druckluftschlauch mit einer zu großen Länge oder einem zu kleinen Durchmesser in Bezug auf die Schussfrequenz kann eine Abnahme der Eintreibleistung des Werkzeugs verursachen.

► Abb.2

Verwenden Sie einen möglichst dicken und kurzen Druckluftschlauch, um kontinuierlichen, effizienten Nagelbetrieb zu gewährleisten.

Bei einem Luftdruck von 0,49 MPa (4,9 bar) wird ein Druckluftschlauch mit einem Innendurchmesser von über 6,5 mm und einer Länge von unter 20 m empfohlen, wenn das Nagelintervall 0,5 Sekunden beträgt.

Der Luftschlauch muss eine minimale Arbeitsdruckleistung von 1,03 MPa (10,3 bar) oder 150 Prozent des im System erzeugten Maximaldrucks haben, je nachdem, welcher Wert höher ist.

Schmierung

► Abb.3

Um maximale Leistung zu gewährleisten, sollte der Druckluftsatz (Öler, Regler, Luftfilter) möglichst nahe am Werkzeug installiert werden. Stellen Sie den Öler so ein, dass er einen Tropfen Öl für jeweils 30 Nägel liefert.

Wenn kein Druckluftsatz verwendet wird, ölen Sie das Werkzeug mit Druckluftwerkzeugöl, indem Sie 2 (zwei) bis 3 (drei) Tropfen in den Druckluftanschluss geben. Dies sollte vor und nach dem Gebrauch erfolgen.

Für eine einwandfreie Schmierung muss das Werkzeug mehrmals ausgelöst werden, nachdem das Druckluftwerkzeugöl eingegeben worden ist.

► Abb.4: 1. Druckluftwerkzeugöl

FUNKTIONSBESCHREIBUNG

⚠ VORSICHT: Bevor Sie das Werkzeug einstellen oder seine Funktion überprüfen, stellen Sie stets den Auslöser zurück, und trennen Sie den Druckluftschlauch vom Werkzeug ab.

Einstellen der Nageleintreibtiefe

⚠ VORSICHT: Lassen Sie stets den Auslöser los, und trennen Sie den Schlauch ab, bevor Sie die Nageleintreibtiefe einstellen.

► Abb.5: 1. Einsteller

Zum Einstellen der Nageleintreibtiefe drehen Sie die Einstellvorrichtung.

Die Nageleintreibtiefe ist am größten, wenn die Einstellvorrichtung vollständig in Richtung A gedreht wird, wie in der Abbildung gezeigt. Die Nageleintreibtiefe wird geringer, je weiter die Einstellvorrichtung in Richtung B gedreht wird.

Falls die Eintreibtiefe der Nägel nicht groß genug ist, selbst wenn die Einstellvorrichtung vollständig in Richtung A gedreht wird, erhöhen Sie den Luftdruck. Falls die Eintreibtiefe der Nägel zu groß ist, selbst wenn die Einstellvorrichtung vollständig in Richtung B gedreht wird, verringern Sie den Luftdruck.

Im Allgemeinen verlängert sich die Lebensdauer des Werkzeugs, wenn es bei niedrigerem Luftdruck verwendet und die Einstellvorrichtung auf eine größere Nageleintreibtiefe eingestellt wird.

Aufhänger

⚠ VORSICHT: Lassen Sie stets den Auslöser los, und trennen Sie den Schlauch ab, bevor Sie die Aufhängerposition ändern.

⚠ VORSICHT: Hängen Sie das Werkzeug auf keinen Fall an hoch gelegenen Stellen oder an einer potentiell instabilen Fläche auf.

⚠ VORSICHT: Hängen Sie den Aufhänger nicht in das Koppel ein. Falls der Nagler versehentlich herunterfällt, kann das zu einer Fehlauslösung und Personenschäden führen.

► **Abb.6**

► **Abb.7:** 1. Aufhänger 2. Innensechskantschraube 3. Loch

Der Aufhänger ist praktisch, um das Werkzeug vorübergehend aufzuhängen.

Um die Aufhängerposition zu ändern, entfernen Sie die Innensechskantschraube, und wechseln Sie die Aufhängerrichtung. Der Aufhänger hat zwei Löcher. Wählen Sie das Loch abhängig von Ihrer bevorzugten Aufhängerbreite aus.

Einstellen der Schindelführung

► **Abb.8:** 1. Kontaktelement 2. Schindelführung 3. Schindel

► **Abb.9:** 1. Einstellplatte 2. Hebel

Die Schindelführung ist für einheitliche Schindeldeckung ausgelegt.

Platzieren Sie die Schindel in die gewünschte Position. Drehen Sie den Hebel, um die Einstellplatte freizugeben. Setzen Sie den Nagler so auf, dass das Kontaktelement sowohl die freiliegende Schindel als auch die vorherige Schindelreihe niederdrückt. Schieben Sie die Einstellplatte nach oben gegen die Unterkante der freiliegenden Schindel, und stellen Sie den Hebel zurück, um die Einstellplatte zu verriegeln.

MONTAGE

⚠ VORSICHT: Bevor Sie irgendwelche Arbeiten am Werkzeug ausführen, stellen Sie stets den Auslöser zurück, und trennen Sie den Druckluftschlauch vom Werkzeug ab.

⚠ VORSICHT: Achten Sie darauf, dass Sie Nägel desselben Typs, derselben Größe und der gleichen Länge laden, wenn Sie Nägel in das Magazin laden.

Beladen des Naglers

ANMERKUNG: Wählen Sie für Ihre Arbeit geeignete Nägel aus.

ANMERKUNG: Stellen Sie den Magazinboden entsprechend der zu verwendenden Nagelgröße ein. Wird das Werkzeug bei Einstellung des Magazinbodens auf die falsche Stufe betrieben, kann es zu schlechtem Nageltransport oder einer Funktionsstörung des Werkzeugs kommen.

1. Drücken Sie den Rasthebel nieder, und öffnen Sie die Magazinkappe.

► **Abb.10:** 1. Magazinkappe 2. Rasthebel

2. Heben Sie den Magazinboden an, und drehen Sie ihn so, dass der Pfeil mit der auf dem Magazinboden angegebenen Nagelgröße auf den entsprechenden Skalenstrich am Magazin zeigt.

► **Abb.11:** 1. Magazinboden 2. Skalenteilung 3. Pfeil

3. Setzen Sie die Nagelcoil auf den Magazinboden. Wickeln Sie genügend Nägel ab, um die Vorschubklau zu erreichen. Platzieren Sie den ersten Nagel in den Treiberkanal, und den zweiten Nagel in die Vorschubklau. Platzieren Sie weitere abgewinkelte Nägel auf den Zuführer. Schließen Sie die Magazinkappe, nachdem Sie sich vergewissert haben, dass die Nagelcoil ordnungsgemäß in das Magazin eingesetzt ist.

► **Abb.12:** 1. Vorschubklau

Anschließen des Druckluftschlauchs

⚠ VORSICHT: Lassen Sie Ihren Finger nicht auf dem Auslöser ruhen, wenn Sie den Druckluftschlauch anschließen.

► **Abb.13:** 1. Druckluftanschluss 2. Anschlussmuffe

Schieben Sie die Anschlussmuffe des Druckluftschlauchs auf den Druckluftanschluss des Werkzeugs. Vergewissern Sie sich, dass die Anschlussmuffe fest einrastet, wenn sie auf den Druckluftanschluss geschoben wird. Eine Schlauchkupplung muss so am Werkzeug oder in dessen Nähe installiert werden, dass der Druckvorrat abgelassen wird, wenn die Luftquellenkupplung abgetrennt wird.

BETRIEB

⚠ VORSICHT: Vergewissern Sie sich vor der Benutzung, dass alle Sicherheitssysteme in gutem Betriebszustand sind.

Funktionsprüfung vor dem Betrieb

Überprüfen Sie vor dem Betrieb stets die folgenden Punkte.

- Vergewissern Sie sich, dass das Werkzeug nicht durch bloßes Anschließen des Druckluftschlauchs betätigt wird.
- Vergewissern Sie sich, dass das Werkzeug nicht durch bloßes Ziehen des Auslösers betätigt wird.
- Vergewissern Sie sich, dass das Werkzeug nicht durch bloßes Drücken des Kontaktelements gegen das Werkstück betätigt wird, ohne den Auslöser zu ziehen.
- Vergewissern Sie sich im Einzelauslösungsmodus, dass das Werkzeug nicht betätigt wird, wenn zuerst der Auslöser gezogen und dann das Kontaktelement gegen das Werkstück gehalten wird.


Wählen der Betriebsart

⚠ VORSICHT: Vergewissern Sie sich vor dem Nageln stets, dass der Auslösemoduswähler korrekt auf die Position für den gewünschten Nagelmodus eingestellt ist.

► **Abb.14:** 1. Auslösemoduswähler

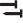
Einzelauslösungsmodus:

Sie können einen einzelnen Nagel in einem sequenziellen Vorgang eintreiben. Wählen Sie diesen Modus, wenn Sie einen Nagel sorgfältig und genau eintreiben wollen.

Um diesen Modus zu wählen, stellen Sie den Auslösemoduswähler auf die Position .

Kontaktauslösungsmodus:

Sie können Nägel wiederholt eintreiben, indem Sie das Kontaktelement bei gezogenem Auslöser platzieren.

Um diesen Modus zu wählen, stellen Sie den Auslösemoduswähler auf die Position .

Einzelauslösung

⚠ VORSICHT: Drücken Sie das Kontaktelement nicht mit übermäßiger Kraft gegen das Werkstück. Ziehen Sie außerdem den Auslöser ganz durch, und halten Sie ihn nach dem Nageln noch 1-2 Sekunden lang gezogen.

Selbst im Modus „Einzelauslösung“ verursacht ein halb gezogener Auslöser unerwartetes Abschießen, wenn das Kontaktelement das Werkstück erneut berührt.

Setzen Sie das Kontaktelement auf das Werkstück, und ziehen Sie den Auslöser ganz durch.

Geben Sie das Kontaktelement nach dem Nageln frei, und lassen Sie dann den Auslöser los.

► **Abb.15**

Kontaktauslösung



Ziehen Sie zuerst den Auslöser, und setzen Sie dann das Kontaktelement auf das Werkstück.

► **Abb.16**

Entfernen von gestauten Nägeln

⚠ VORSICHT: Stellen Sie den Auslöser stets zurück, und trennen Sie den Schlauch ab, bevor Sie gestaute Nägel entfernen.

⚠ VORSICHT: Verwenden Sie keine verformten Nägel oder Nagelgurte. Anderenfalls kann es zu Transportstörungen der Nägel kommen.

► **Abb.17:** 1. Hammer 2. Kleine Stange 3. Auswurföffnung

Wenn ein Nagelstau auftritt, gehen Sie wie folgt vor: Öffnen Sie die Magazinkappe, und entnehmen Sie die Nagelcoil. Führen Sie eine kleine Stange oder dergleichen in die Auswurföffnung ein, und klopfen Sie mit einem Hammer darauf, um den klemmenden Nagel aus der Auswurföffnung auszutreiben. Legen Sie die Nagelcoil wieder ein, und schließen Sie die Magazinkappe.

WARTUNG

⚠ VORSICHT: Bevor Sie sich anschicken, eine Überprüfung oder Wartungsarbeiten auszuführen, stellen Sie stets den Auslöser zurück, und trennen Sie den Druckluftschlauch vom Werkzeug ab.

ANMERKUNG: Verwenden Sie keinesfalls Benzin, Waschbenzin, Verdünnern, Alkohol oder dergleichen, wenn nicht anders in dieser Anleitung angewiesen. Es kann sonst zu Verfärbung, Verformung oder Rissbildung kommen.

Nägeln

Behandeln Sie Nagelcoils und ihre Schachteln sorgfältig. Bei grober Behandlung der Nagelcoils können sie sich verformen, was schlechten Nageltransport verursacht.

Vermeiden Sie die Lagerung von Nägeln an sehr feuchten oder heißen Orten oder an Orten, die direktem Sonnenlicht ausgesetzt sind.

Reinigung und Beseitigung von Teer und Schmutz

⚠ VORSICHT: Tragen Sie stets wasserdichte Handschuhe, um Ihre Hände zu schützen.

Das Anhaften von Teer und Schmutz an Bereichen um das Kontaktelement verhindert reibungslose Bewegung des Kontaktelements (Sicherheitsmechanismus), wodurch versehentlicher Abschuss verursacht werden kann. Reinigen Sie die Bereiche um das Kontaktelement regelmäßig.

Verwenden Sie ein Lösungsmittel, wie z. B. Kerosin, Heizöl Nr. 2 oder Dieselmotorenöl. Tauchen Sie nur das Kontaktelement und die Bereiche um die Auswurföffnung in Lösungsmittel, und entfernen Sie Teer und Schmutz mit einer Bürste.

► **Abb.18**

ANMERKUNG: Tauchen Sie niemals das Gehäuse, Magazin usw. in Lösungsmittel. Es kann sonst zu einer Funktionsstörung des Werkzeugs kommen.

HINWEIS: Entsorgen Sie das verbrauchte Lösungsmittel immer auf sichere und gewissenhafte Weise und in Beachtung aller lokalen und nationalen Gesetze.

Wartung des Naglers

Überprüfen Sie das Werkzeug vor der Benutzung stets auf seinen Allgemeinzustand und lockere Schrauben. Erforderlichenfalls anziehen.

Führen Sie die tägliche Inspektion bei abgetrenntem Werkzeug durch, um sicherzustellen, dass sich Kontaktelement und Auslöser ungehindert bewegen. Benutzen Sie das Werkzeug nicht, falls das Kontaktelement oder der Auslöser klemmt oder blockiert.

Wenn das Werkzeug längere Zeit nicht benutzt werden soll, schmieren Sie es mit Druckluftwerkzeugöl, und lagern Sie es an einem sicheren Ort. Vermeiden Sie Orte, die direktem Sonnenlicht ausgesetzt sind und/oder feuchte oder heiße Umgebungen.

► **Abb.19**

Wartung von Kompressor, Druckluftsatz und Druckluftschlauch

Nach jedem Betrieb sollten Kompressortank und Luftfilter entleert werden. In das Werkzeug eingedrungene Feuchtigkeit kann eine Verschlechterung der Leistung und ein mögliches Versagen des Werkzeugs verursachen.

► **Abb.20:** 1. Ablasshahn

► **Abb.21:** 1. Luftfilter

Prüfen Sie regelmäßig nach, ob genügend Druckluftöl im Öl des Druckluftsatzes vorhanden ist. Eine Vernachlässigung der Schmierung führt zu schnellem Verschleiß der O-Ringe.

► **Abb.22:** 1. Öl 2. Druckluftwerkzeugöl

Halten Sie den Druckluftschlauch von Wärmequellen (über 60°C) und Chemikalien (Verdüner, starken Säuren oder Laugen) fern. Achten Sie auch darauf, dass sich der Schlauch nicht an Hindernissen verfängt, was während des Betriebs gefährlich sein kann. Der Schlauch darf auch nicht mit scharfen Kanten oder Gegenständen in Berührung kommen, die eine Beschädigung oder Abrieb des Schlauchs verursachen können.

Um die SICHERHEIT und ZUVERLÄSSIGKEIT dieses Produkts zu gewährleisten, sollten Reparaturen und andere Wartungs- oder Einstellarbeiten nur von Makita-Vertragswerkstätten oder Makita-Kundendienstzentren unter ausschließlicher Verwendung von Makita-Originalersatzteilen ausgeführt werden.

SONDERZUBEHÖR

⚠ VORSICHT: Die folgenden Zubehörteile oder Vorrichtungen werden für den Einsatz mit dem in dieser Anleitung beschriebenen Makita-Werkzeug empfohlen. Die Verwendung anderer Zubehörteile oder Vorrichtungen kann eine Verletzungsgefahr darstellen. Verwenden Sie Zubehörteile oder Vorrichtungen nur für ihren vorgesehenen Zweck.

Wenn Sie weitere Einzelheiten bezüglich dieser Zubehörteile benötigen, wenden Sie sich bitte an Ihre Makita-Kundendienststelle.

- Nägel
- Druckluftschlauch
- Schutzbrille

HINWEIS: Manche Teile in der Liste können als Standardzubehör im Werkzeugsatz enthalten sein. Sie können von Land zu Land unterschiedlich sein.

TEHNIČNI PODATKI

Model:		AN454
Zračni tlak		0,49 – 0,83 MPa (4,9 – 8,3 bara)
Sponka	Vrsta	Žebliji v zvitku iz žice (strešni žebliji)
	Dolžina	19 mm – 45 mm
	Premer	3,05 mm
Število žeblijev		120 kosov
Olje za pnevmatska orodja		ISO VG32 ali enakovredno
Najmanjši premer cevi		6,5 mm
Mere (D × Š × V)		256 mm × 117 mm × 271 mm
Neto teža		2,4 kg

- Ker nenehno opravljamo raziskave in razvijamo svoje izdelke, se lahko tehnični podatki v tem dokumentu spremenijo brez obvestila.
- Tehnični podatki se lahko razlikujejo od države do države.

Simboli

Naslednji simboli se uporabljajo v povezavi s strojem. Pred uporabo proizvoda se obvezno seznanite z njihovim pomenom.



Preberite navodila za uporabo.



Nosite zaščitna očala.



Uporabljajte zaščito za sluh.



Orodje lahko deluje v načinu kontaktnega sprožanja.



Ne uporabljajte delovnih odrov ali lestev.

Predvidena uporaba

Orodje je namenjeno za notranja pripravljalna dela, kot je pritrdjevanje talnih prečnih nosilcev ali strešnih špirovcev in tramov pri gradnji 2" × 4".

Orodje je namenjeno samo profesionalni uporabi v velikih količinah. Ne uporabljajte ga v druge namene. Orodje ni namenjeno za pritrdjevanje sponk neposredno na trdo površino, kot sta jeklo in beton.

Hrup

Običajna A-ovrednotena raven hrupa v skladu z ISO11148-13(EN12549):

Raven zvočnega tlaka (L_{pA}): 102 dB (A)

Raven zvočne moči (L_{WA}): 113 dB (A)

Odstopanje (K): 1,5 dB (A)

OPOMBA: Navedene vrednosti oddajanja hrupa so bile izmerjene v skladu s standardnimi metodami testiranja in se lahko uporabljajo za primerjavo orodij.

OPOMBA: Navedene vrednosti oddajanja hrupa se lahko uporabljajo tudi pri predhodni oceni izpostavljenosti.

⚠ OPOZORILO: Uporabljajte zaščito za sluh.

⚠ OPOZORILO: Oddajanje hrupa med dejansko uporabo električnega orodja se lahko razlikuje od navedenih vrednosti, odvisno od načina uporabe orodja in predvsem vrste obdelovanca.

⚠ OPOZORILO: Upravljevec mora za lastno zaščito poznati varnostne ukrepe, ki temeljijo na oceni izpostavljenosti v dejanskih pogojih uporabe (poleg časa proženja je treba upoštevati celoten delovni cikel, vključno s časom, ko je orodje izklopljeno, in časom, ko deluje v prostem teku).

Vibracije

Ocenjena skupna vrednost vibracij v skladu z ISO11148-13(ISO8662-11):

Emisije vibracij (a_{h1}): 5,7 m/s²

Odstopanje (K): 1,5 m/s²

OPOMBA: Navedene skupne vrednosti oddajanja vibracij so bile izmerjene v skladu s standardnimi metodami testiranja in se lahko uporabljajo za primerjavo orodij.

OPOMBA: Navedene skupne vrednosti oddajanja vibracij se lahko uporabljajo tudi pri predhodni oceni izpostavljenosti.

⚠ OPOZORILO: Oddajanje vibracij med dejansko uporabo električnega orodja se lahko razlikuje od navedenih vrednosti, odvisno od načina uporabe orodja in predvsem vrste obdelovanca.

⚠ OPOZORILO: Upravljavca mora za lastno zaščito poznati varnostne ukrepe, ki temeljijo na oceni izpostavljenosti v dejanskih pogojih uporabe (poleg časa sproženja je treba upoštevati celoten delovni cikel, vključno s časom, ko je orodje izklopljeno, in časom, ko deluje v prostem teku).

Izjava o skladnosti ES

Samo za evropske države

Izjava ES o skladnosti je vključena v dodatku A, ki je priložen tem navodilom za uporabo.

VARNOSTNA OPOZORILO

Varnostna opozorila za pnevmatski žebeljnik/spenjalnik

⚠ OPOZORILO: Preberite vsa varnostna opozorila in navodila. Neupoštevanje opozoril in navodil lahko privede do resnih telesnih poškodb, električnega udara in/ali požara.

Shranite vsa opozorila in navodila za poznejšo uporabo.

Zaradi lastne varnosti in za pravilno delovanje orodja pred prvo uporabo pozorno preberite navodila za uporabo in jih shranite.

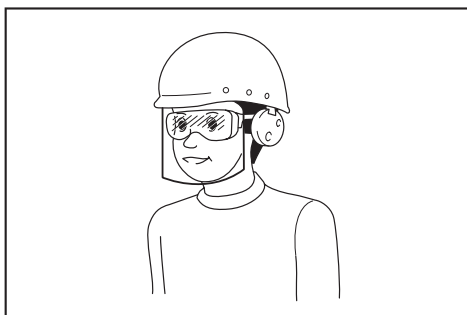
Splošna varnost

1. Kakršnakoli druga uporaba orodja, ki se razlikuje od namenske uporabe, je prepovedana. Žebeljnikove z neprekinjenim kontaktnim sprožanjem ali kontaktnim sprožanjem uporabljajte samo za proizvodnjo izdelkov.
2. Umaknite prste s sprožilca, ko orodja ne uporabljate in ko ga pomikate iz enega delovnega položaja v drugega.
3. Različne nevarnosti. Pred povezavo, odklopom, polnjenjem, upravljanjem in vzdrževanjem orodja, menjavanjem pripomočkov na orodju ali delu v bližini orodja preberite in se seznanite z varnostnimi navodili. V nasprotnem primeru lahko pride do hudih telesnih poškodb.
4. Ne postavljajte telesnih delov (rok, nog itd.) pred orodje v smeri sproženja in se prepričajte, da žebelj ne more prodrati skozi obdelovanca v dele telesa.
5. Pri uporabi orodja se zavedajte, da se žebelj lahko odbije in povzroči telesne poškodbe.

6. Orodje čvrsto držite in bodite pripravljeni na povratni udarec.
7. Žebeljnik lahko uporabljajo samo upravljavci z ustreznim tehničnim znanjem.
8. Žebeljnik ne spreminjajte. Spremembe lahko zmanjšajo učinkovitost varnostnih ukrepov in povečajo nevarnosti za upravljavca in/ali osebe, ki stojijo v bližini.
9. Ne zavrzite navodil za uporabo.
10. Če je orodje poškodovano, ga ne uporabljajte.
11. Bodite previdni pri rokovanju z žebli, predvsem ko jih polnite in praznite, saj imajo žebli ostre konice, s katerimi se lahko poškodujete.
12. Pred uporabo vedno preverite, ali so deli orodja polomljeni, nepravilno priključeni ali obrabljeni.
13. Ne segajte predaleč. Orodje uporabljajte samo v varnem delovnem prostoru. Vselej pazite na ustrezno oporo in ravnotežje.
14. Ko delate v območju, kjer je možnost velikega pretoka ljudi, poskrbite, da se osebe ne bodo zadrževale v bližini. Jasno označite delovno območje.
15. Orodja nikoli ne usmerjajte vase ali v druge osebe.
16. Ne držite prsta na sprožilcu, ko pobirate orodje, ga pomikate med delovnimi območji, spreminjate delovni položaj oziroma hodite, saj lahko orodje po nesreči sprožite. Pri orodjih z možnostjo izbirnega načina sproženja pred uporabo vedno preverite, da je izbran pravi način.
17. Nosite samo rokavice, v katerih imate primeren občutek za varno upravljanje sprožilcev in naprav za prilagajanje.
18. Orodje odložite tako, da ga položite na ravno podlago. Če uporabljate kavelj, ki je priložen orodju, orodje varno pritrdite na stabilno podlago.
19. Orodja ne uporabljajte, če ste pod vplivom alkohola, mamil ali podobnih substanc.

Nevarnosti, ki jih predstavljajo leteči predmeti

1. Ko odstranjujete žebelje, spreminjate orodje, odpravljate zagoditve ali menjujete pripomočke, odklopite žebeljnik.
2. Med delom pazite, da žebelj pravilno prodre v material in da se ne more odbiti/nenamerno sprožiti proti upravljavcu in/ali osebam v bližini.
3. Med delom lahko ostanki odletijo iz obdelovanca in mehanizma za pritrjevanje/združevanje.
4. Pri uporabi električnega orodja vedno nosite zaščitna očala, da preprečite poškodbe oči. Očala morajo ustrezati standardu ANSI Z87.1 v ZDA, EN 166 v Evropi ali AS/NZS 1336 v Avstraliji/Novi Zelandiji. V Avstraliji/Novi Zelandiji je zakonsko zahtevano tudi nošenje obrazne zaščite.



Delodajalec mora zagotoviti, da upravljavci orodja in druge osebe v neposrednem delovnem območju uporabljajo ustrezno zaščitno opremo.

5. Tveganja za druge osebe mora oceniti upravljavec.
6. Z orodjem brez kontaktnega elementa ravnajte previdno, saj se lahko nenamerno sproži in poškoduje upravljavca in/ali osebe v bližini.
7. Poskrbite, da je orodje vedno varno v stiku z obdelovancem in da ne more zdrsniti.
8. Uporabljajte zaščito za sluh pred hrupom in čelado. Nosite lahko delovno obleko, ki pa ne sme biti preohlapna. Rokave si pripnite ali zavahajte. Nošenje kravat ni dovoljeno.

Nevarnosti pri uporabi

1. Pravilno držite orodje. Bodite pripravljene na običajne in nenadne premike, kot je povratni udarec.
2. Postavite se v položaj, v katerem boste lahko obdržali ravnotežje, in si zagotovite dobro stojišče.
3. Uporabljajte primerna zaščitna očala. Uporaba ustreznih rokavic in zaščitnih oblačil je priporočljiva.
4. Nosite primerno zaščito za sluh.
5. Uporabljajte ustrezni vir napajanja, kot je naveden v navodilih za uporabo.
6. Orodja ne uporabljajte na premičnih ploščadih ali v zadnjih delih tovarnjakov. Nenaden premik ploščadi lahko povzroči izgubo nadzora nad orodjem in povzroči poškodbo.
7. Vedno predvidevajte, da orodje vsebuje sponke.
8. Pri delu ne hitite in ne preobremenjujte orodja. Z orodjem ravnajte previdno.
9. Poskrbite za varno stojišče in pazite na stalno ravnotežje telesa in orodja. Pri uporabi orodja na višini se prepričajte, da nikogar pod delovnim območjem. Cev za stisnjen zrak ustrezno zavarujte za primer nenadnega trzaja ali blokade stroja.
10. Na strehah in drugih visokih mestih privijajte pritrdilne elemente tako, da se pomikate naprej. Če se pri privijanju pritrdilnih elementov s tem orodjem pomikate nazaj, obstaja nevarnost hitre izgube ravnotežja. Pri privijanju pritrdilnih elementov v navpično površino se pomikajte v smeri od zgoraj navzdol. Tako bo delo manj utrujajoče.

11. Če po pomoti privijete pritrdilni element v glavo drugega pritrdilnega elementa ali grčo, se lahko pritrdilni element ukriži oziroma pride do zagozditve v orodju. Pri tem lahko pritrdilni element odleti proti osebam v okolici ali orodje nevarno odskoči. Pritrdilne elemente nameščajte previdno.
12. Orodja z vstavljenimi pritrdilnimi elementi ali kompresorja pod tlakom ne puščajte na soncu dalj časa. Pri odlaganju orodja pazite, da v njegovo notranjost ne pridejo prah, pesek, odrezki ali drugi tujki.
13. Ne poskušajte privijati pritrdilnih elementov z zgornje in spodnje strani hkrati. To je skrajno nevarno, saj lahko prebijejo material ali odletijo.

Nevarnosti, ki jih predstavljajo ponavljajoči se gibi

1. Pri daljši uporabi orodja lahko upravljavec občuti nelagodje v dlaneh, rokah, ramenih, vratu ali drugih delih telesa.
2. Med uporabo orodja se mora upravljavec postaviti v primeren in ergonomičen položaj. Stojite stabilno in se izogibajte nerodnim položajem ali položajem, v katerih težko vzdržujete ravnotežje.
3. Če upravljavec občuti simptome, kot so vztrajno ali neprekinjeno neudobje, bolečina, zbadanje, ščemenje, odrevenelost, pekoč občutek ali okorelost, naj jih ne zanemarija. O svojih dejavnostih naj se posvetuje z usposobljenim zdravstvenim strokovnjakom.
4. Pri neprekinjeni uporabi orodja lahko pride do poškodb zaradi napora, ki je posledica povratnega udara orodja.
5. Da bi se izognili poškodbam zaradi ponavljajoče se obremenitve, upravljavec ne sme orodja preobremenjevati ali uporabljati prekomerne sile. Upravljavec mora počivati, ko je utrujen.
6. Ocenite tveganje pri ponavljajočih se gibih. Ocena se mora osredotočiti na mišično-skeletne motnje in mora prednostno temeljiti na predpostavki, da preprečevanje utrujenosti pri delu učinkovito zmanjšuje bolečine.

Nevarnosti, ki jih predstavljajo pripomočki in potrošni material

1. Pred spreminjanjem/menjava pripomočkov, kot so kontaktni element, ali spreminjanjem orodja odklopite orodje iz vira napajanja (npr. zrak, plin ali akumulator).
2. Uporabljajte samo tiste velikosti in tipe pripomočkov, ki jih nudi proizvajalec.
3. Uporabljajte samo tista maziva, ki jih priporoča proizvajalec.

Nevarnosti na delovnem območju

1. Zdrsi, spotiki in padci so glavni vzroki poškodb na delovnem območju. Bodite previdni na drsečih površinah, ki nastanejo zaradi uporabe orodja, in pazite, da se ne spotaknete ob cev za zrak.
2. Pri delu v neznanih okoljih bodite posebej previdni. Prisotne so lahko nevarnosti, kot je skrita električna ali druga napeljava.
3. Orodje ni namenjeno uporabi v potencialno eksplozivnih območjih in ni električno izolirano.

4. **Prepričajte se, da v bližini ni električnih kablov, plinskih cevi in drugih elementov, ki bi predstavljali nevarnost, če bi jih poškodovali z orodjem.**
5. **Delovno območje mora biti čisto in dobro osvetljeno.** Neurejena ali temna območja povečajo možnost nesreče.
6. **V nekaterih državah so z nacionalnimi predpisi določene posebne omejitve glede širjenja hrupa. V nekaterih primerih so lahko predpisana posebna sredstva za omejitev hrupa.**

Nevarnosti, ki jih povzročajo prah in izpuhi

1. **Vedno preverite območje.** Zrak, ki se odvaja iz orodja, lahko odpihne prah in predmete v upravljavca in/ali osebe v bližini.
2. **Usmerite izpuh tako, da bo dvigovanje prahu v prašnem okolju čim manjše.**
3. **V delovnem okolju čim bolj zmanjšajte oddajanje prahu ali delcev, da omejite tveganje za zdravje in poškodbe.**

Nevarnosti, ki jih predstavlja hrup

1. **Nezaščiten izpostavljenost visokim nivojem hrupa lahko povzroči trajno izgubo sluha in druge težave, na primer tinitus (zvonjenje, šumenje piskanje ali brnenje v ušesih).**
2. **Ocenite tveganja, ki jih povzročata hrup v delovnem okolju, in jih ustrezno nadzorujte.**
3. **Med primerne ukrepe za zmanjšanje tveganja spada uporaba blažilnih materialov, ki preprečujejo, da bi obdelovanec „donel“.**
4. **Uporabljajte ustrezno zaščito za sluh.**
5. **Orodje upravljajte in vzdržujte, kot priporočajo navodila, da preprečite nepotrebno povišanje ravni hrupa.**
6. **Z ustreznimi ukrepi, npr. tako, da položite obdelovance na zvočno izolirano podlago, zmanjšajte hrup.**

Nevarnosti, ki jih predstavljajo tresljaji

1. **Oddajanje vibracij med delovanjem je odvisno od sile, s katero držite orodje, sile, s katero pritiskate na obdelovanca, smeri sprožanja, nastavitve vira napajanja, obdelovanca in podpore obdelovanca. Ocenite tveganja, ki jih povzročajo vibracije, in jih ustrezno nadzorujte.**
2. **Izpostavljenost tresljam lahko poškoduje živce ter krvni pretok dlani in rok.**
3. **Ko delate v mrzlih razmerah, nosite topla oblačila ter poskrbite, da so vaše dlani tople in suhe.**
4. **Če opazite odrevenelost ali bledenje kože prstov ali dlani oziroma ščemenje ali bolečino v prstih ali dlaneh, se o svojih dejavnostih posvetujte z ustreznim zdravstvenim strokovnjakom.**
5. **Orodje upravljajte in vzdržujte, kot priporočajo navodila, da preprečite nepotrebno povišanje ravni tresljev.**
6. **Orodje držite z rahlim in varnim prijemom, saj je nevarnost tresljev načeloma večja, če orodje držite s trdnim prijemom.**

Dodatna opozorila za pnevmatska orodja

1. **Stisnjeni zrak lahko povzroči resne poškodbe.**
2. **Ko orodja ne uporabljate, vedno izklopite dovod zraka in orodje odklopite od dovoda zraka.**
3. **Pred menjavo pripomočkov, spreminjanjem in/ali popravilom orodja ali spreminjanjem delovnega območja vedno odklopite orodje iz dovoda stisnjenega zraka.**
4. **Umaknite prste s sprožilca, ko orodja ne uporabljate in ko ga pomikate iz enega delovnega položaja v drugega.**
5. **Stisnjenega zraka nikoli ne usmerjajte vase ali v druge osebe.**
6. **Premikajoče se cevi lahko povzročijo resne poškodbe. Vedno preverite, ali so cevi ali nastavki poškodovani ali razhljani.**
7. **Pnevmatskega orodja nikoli ne prenašajte tako, da ga držite za cev.**
8. **Pnevmatskega orodja nikoli ne vlecite za cev.**
9. **Pri uporabi pnevmatskega orodja pazite, da ne presežete največjega delovnega tlaka.**
10. **Pnevmatska orodja mora poganjati samo stisnjeni zrak pri najmanjšem tlaku, ki je potreben za delovni postopek, da se zmanjša hrup, tresljaje in obrabo.**
11. **Pri uporabi kisika in vnetljivih plinov za pogon pnevmatskih orodij lahko pride do požara in eksplozije.**
12. **Pri uporabi pnevmatskih orodij bodite previdni, saj se orodje lahko ohladi, kar vpliva na prijem in nadzor orodja.**

Dodatna opozorila za orodja z možnostjo sproženja s kontaktom



1. **Ne držite prsta na sprožilcu, ko pobirate orodje, ga pomikate med delovnimi območji, spreminjate delovni položaj oziroma hodite, saj lahko orodje po nesreči sprožite. Pri orodjih z možnostjo izbirnega načina sprožanja pred uporabo vedno preverite, da je izbran pravi način.**
2. **Orodje omogoča izbirni način sprožanja, pri čemer sta na voljo kontaktno sprožanje in neprekinjeno kontaktno sprožanje, ki ju izberete z izbirnimi načina, oziroma je orodje s kontaktnim ali neprekinjenim kontaktnim sprožanjem in je ustrezno označeno z zgornjim simbolom. Namenjeno je proizvodnji izdelkov, kot so palete, pohištvo, modularne gradnje, blazine in notranji opaži.**
3. **Če orodje uporabljate v izbirnem načinu sprožanja, se prepričajte, da je nastavljena ustrezna nastavitev sprožanja.**
4. **Orodja ne uporabljajte v načinu kontaktnega sprožanja za zapiranje škatel ali zabojev ter nameščanje sistemov za zaščito pri prevozu na priklopnikih in tovornjakih.**
5. **Bodite previdni pri spreminjanju mesta zabijanja.**

Varnostne naprave

- 1. Pred začetkom dela se prepričajte, da so vse varnostne naprave v neoporečnem stanju.** Stikala ni dovoljeno sprožiti, ne da bi prislonili kontaktno ročico ob obdelovanec. Stikalo se sme sprožiti le, če naredite oboje. Preizkusite delovanje orodja brez pritrdilnih elementov s povsem pritisnjene stikalom.
- 2. Zaklepanje sprožilca v položaju ON predstavlja veliko nevarnost.** Nikoli ne poskušajte zakleniti sprožilca.
- 3. Ne poskušajte blokirati kontaktnega elementa v pritisnjene položaju z lepilnim trakom ali žico.** Posledice tega so lahko hude poškodbe ali smrt.
- 4. Kontaktno ročico vsakič preglejte v skladu z napotki v teh navodilih.** Če varnostni mehanizem ne deluje brezhibno, lahko pride do nenamerne sprožitve pritrdilnih elementov.

Servis

- 1. Čiščenje in vzdrževanje je treba izvesti takoj po končanem delu.** Skrbite, da bo orodje vedno v brezhibnem stanju. Z mazanjem gibljivih delov orodje zaščitite pred rjavjenjem in obrabo zaradi trenja. Obrišite prah z vseh delov orodja.
- 2. Za redno vzdrževanje orodja se obrnite na pooblaščen servis Makita.**
- 3. VARNO in ZANESLJIVO delovanje tega proizvoda bo zagotovljeno le, če boste vzdrževanje in popravila prepustili pooblaščenemu servisu za orodja Makita, ki vgrajuje izključno originalne nadomestne dele.**
- 4. Pri odstranjevanju orodja upoštevajte lokalne predpise.**

SHRANITE TA NAVODILA.

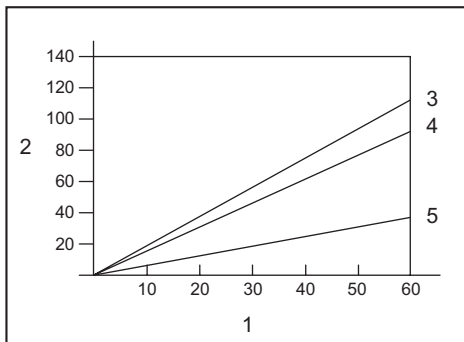
⚠ OPOZORILO: NE dovolite, da bi zaradi udobnejšega dela ali znanja o uporabi izdelka (pridobljenega z večkratno uporabo) opustili strogo upoštevanje varnostnih zahtev v okviru pravilne uporabe orodja. ZLORABA ali neupoštevanje varnostnih zahtev v teh navodilih za uporabo lahko povzroči resne telesne poškodbe.

OPIS DELOV

- **SI.1:** 1. Sprožilec 2. Kontaktni element 3. Izbirnik načina sprožitve 4. Zalagovnik 5. Kavelj

NAMESTITEV

Izbira kompresorja



1. Pogostost zabijanja (udarci/min) 2. Izhodni pretok zraka kompresorja (l/min) 3. 0,83 MPa (8,3 bar) 4. 0,66 MPa (6,6 bar) 5. 0,49 MPa (4,9 bar)

Zračni kompresor mora izpolnjevati zahteve standarda EN60335-2-34.

Za zagotovitev stroškovno učinkovite uporabe izberite kompresor z zadostnim tlakom in izhodnim pretokom zraka. Grafikon prikazuje razmerje med pogostostjo zabijanja, uporabljenim tlakom in izhodnim pretokom zraka kompresorja.

Če na primer žebeljnik deluje s hitrostjo približno 60 udarcev na minuto pod tlakom 0,83 MPa (8,3 bar), potrebujete kompresor z izhodnim pretokom zraka nad 110 l/min.

Če zračni tlak presega nazivni tlak orodja, je treba za omejevanje zračnega tlaka na nazivni tlak orodja uporabiti regulator tlaka. V nasprotnem primeru lahko pride do hudih telesnih poškodb upravljalca ali oseb v okolici.

Izbira cevi za zrak

⚠ POZOR: Nizek izhodni pretok zraka kompresorja, dolga cev ali cev z majhnim premerom glede na pogostost zabijanja lahko povzročijo zmanjšano delovanje orodja.

► SI.2

Uporabljajte čim večjo in čim krajšo cev, da zagotovite neprekinjeno in učinkovito žebljanje.

Pri zračnem tlaku 0,49 MPa (4,9 bara) je priporočena cev za zrak z notranjim premerom nad 6,5 mm in dolžino manj kot 20 m, če je interval med posameznimi žebljanji 0,5 sekunde.

Najmanjši delovni tlak cevi za dovod zraka mora biti 1,03 MPa (10,3 bara) ali 150 odstotkov največjega tlaka, ki ga proizvede sistem, kar koli je več.

Mazanje

► SI.3

Za največjo učinkovitost delovanja namestite zračni komplet (oljnik, regulator, zračni filter) čim bližje orodju. Nastavite oljnik tako, da bo za vsakih 30 žebeljev uporabljena ena kapljica olja.

Ko ne uporabljate zračnega kompleta, namažite orodje z oljem za pnevmatsko orodje, tako da vstavite 2 (dve) ali 3 (tri) kapljice v nastavek za zrak. To naredite pred uporabo orodja in po njej.

Za pravilno mazanje morate orodje po vnosu olja za pnevmatska orodja nekajkrat sprožiti.

► SI.4: 1. Olje za pnevmatska orodja

OPIS DELOVANJA

▲POZOR: Pred nastavljanjem orodja ali preverjanjem njegovega delovanja vedno pomaknite sprožilec v izhodiščni položaj in z orodja odklopite cev za zrak.

Nastavitev globine žebljanja

▲POZOR: Pred nastavljanjem globine žebljanja vedno sprostite sprožilec in odklopite cev.

► SI.5: 1. Prilagojevalnik

Če želite prilagoditi globino žebljanja, obrnite prilagojevalnik.

Žebljanje je najgloblje, ko je prilagojevalnik do konca obrnjen v smer A, kot je prikazano na sliki. Žebljanje je vse plitkejše, ko obračate prilagojevalnik v smer B. Če žebeljev ni mogoče zabiti dovolj globoko, tudi če je prilagojevalnik obrnjen do konca v smer A, povečajte zračni tlak.

Če so žebli zabiti pregloboko, tudi če je prilagojevalnik obrnjen do konca v smer B, zmanjšajte zračni tlak.

Na splošno lahko podaljšate življenjsko dobo orodja, če orodje uporabljate z nižjim tlakom zraka in prilagojevalnikom, nastavljenim v načinu za globlje žebljanje.

Kavelj

▲POZOR: Pred spreminjanjem položaja kavlja vedno sprostite sprožilec in odklopite cev.

▲POZOR: Orodja ne obešajte na visoka mesta ali nestabilne površine.

▲POZOR: Kavlja ne obešajte na hlačni pas. Če vam žebjalnik po nesreči pade, se lahko nenamerno sproži in povzroči telesne poškodbe.

► SI.6

► SI.7: 1. Kavelj 2. Vijak s šestrobo cilindrično glavo 3. Odprtina

Kavelj je priločen za začasno obešanje orodja.

Če želite spremeniti položaj kavlja, odstranite vijak s šestrobo cilindrično glavo in obrnite kavelj. Kavelj ima dve odprtini. Izberite odprtino glede na želeno širino kavlja.

Prilaganje vodila skodel

► SI.8: 1. Kontaktni element 2. Vodilo skodel 3. Skodla

► SI.9: 1. Nastavitvena plošča 2. Ročica

Vodilo skodel je zasnovano za zagotavljanje enakomerne pokritosti skodel.

Postavite skodlo na zeleno mesto. Obrnite ročico, da sprostite nastavitveno ploščo. Postavite žebjalnik tako, da pritisnete kontaktni element ob odkriti del skodele in prejšnjo vrsto skodel. Premaknite nastavitveno ploščo proti spodnjemu robu odkrite skodele, ročico pa pomaknite v začetni položaj, da se nastavitvena plošča zaskoči.

MONTAŽA

▲POZOR: Pred izvajanjem kakršnih koli del na orodju vedno pomaknite sprožilec v izhodiščni položaj in z orodja odklopite cev za zrak.

▲POZOR: Pri nalaganju žebeljev v zalogovnik nalagajte žeblje iste vrste, velikosti in dolžine.

Polnjenje žebjalnika

OBVESTILO: Izberite žeblje, ki so primerni za vaše opravilo.

OBVESTILO: Nastavite podporno ploščo zvitka glede na velikost uporabljenih žebeljev. Če uporabljate orodje z napačno nastavljenno podporno ploščo zvitka, lahko pride do slabega podajanja žebeljev ali okvare orodja.

1. Pritisnite ročico z zapahom in odprite pokrov zalogovnika.

► SI.10: 1. Pokrov zalogovnika 2. Ročica z zapahom

2. Dvignite in obrnite podporno ploščo zvitka, tako da puščica z velikostjo žebeljev na podporni plošči kaže na ustrezno stopnjo na zalogovniku.

► SI.11: 1. Podporna plošča zvitka 2. Stopnja 3. Puščica

3. Postavite zvitke žebeljev prek podporne plošče zvitka. Odvijte dovolj žebeljev, da dosežete podajalno roko. Vstavite prvi žebelj v kanal in drugega v podajalno roko. Ostale žeblje vstavite na telo podajalnika. Ko ste preverili, da je zvitke žebeljev pravilno vstavljen v zalogovnik, zaprite pokrov zalogovnika.

► SI.12: 1. Podajalna roka

Priklapljanje cevi za zrak

▲POZOR: Med povezovanjem cevi za zrak prst ne sme biti na sprožilcu.

► SI.13: 1. Nastavek za zrak 2. Obojka

Vstavite obojko cevi za zrak na nastavek za zrak orodja. Prepričajte se, da je obojka trdno pritrjena na nastavek za zrak.

Na orodju ali v njegovi bližini mora biti nameščena cevna spojka tako, da se lahko tlačna posoda izprazni, kadar je spojka za dovod zraka odklopljena.

UPRAVLJANJE

▲POZOR: Pred začetkom dela se prepričajte, da vsi varnostni mehanizmi delujejo.

Preverjanje pravilnega delovanja pred začetkom dela

Pred začetkom dela vedno preverite naslednje:

- Prepričajte se, da orodje ne deluje, če priklopite cev za zrak.
- Prepričajte se, da orodje ne deluje, če pritisnete sprožilec.
- Prepričajte se, da orodje ne deluje, če kontaktni element postavite na obdelovanca, ne da bi pritisnili sprožilec.
- Pri načinu posamične sprožitve se prepričajte, da orodje ne deluje, kadar najprej pritisnete sprožilec in nato postavite kontaktni element na obdelovanca.


Izbira načina delovanja

▲POZOR: Pred žebljanjem se prepričajte, da je izbirnik načina sprožitve pravilno nastavljen v položaju za zeleni način žebljanja.

► **SI.14:** 1. Izbirnik načina sprožitve


Način posamične sprožitve:

V tem načinu lahko zabijete en žebelj z enim sekvenčnim delovanjem. Ta način izberite, ko želite previdno in natančno zabiti žebelj.

Način izberete tako, da nastavite izbirnik načina sprožitve v položaj .

Način kontaktnega sprožanja:

Žeblje lahko neprekinjeno zabijate, tako da premikate kontaktni element in pri tem držite sprožilec.

Način izberete tako, da nastavite izbirnik načina sprožitve v položaj .

Posamična sprožitev

▲POZOR: Kontaktnega elementa ne pritiskajte na obdelovanca s čezmerno silo. Poleg tega sprožilec pritisnite do konca in ga po žebljanju pridržite 1–2 sekundi.

V načinu „posamične sprožitve“ polovični pritisk sprožilca povzroči nepričakovan rezultat žebljanja ob ponovnem dotiku kontaktnega elementa in obdelovanca.

Kkontaktni element postavite na obdelovanca in do konca pritisnite sprožilec.

Po žebljanju odmaknite kontaktni element in sprostite sprožilec.

► **SI.15**

Kontaktna sprožitev



Najprej pritisnite sprožilec in nato postavite kontaktni element na obdelovanca.

► **SI.16**

Odstranjevanje zagozdenih žebeljev

▲POZOR: Pred odstranjevanjem zagozdenih žebeljev vedno premaknite sprožilec v izhodiščni položaj in odklopite cev.

▲POZOR: Ne uporabljajte deformiranih žebeljev ali kompletov žebeljev. To lahko povzroči slabo sprožanje žebeljev.

► **SI.17:** 1. Kladivo 2. Majhen drog 3. Izmetna odprtina

Ko se žebjalnik zamaši, storite naslednje: Odprite pokrov zalogovnika in odstranite zvitek žebeljev. Vstavite majhen drog ali podobno orodje v izmetno odprtino in ga potolcite s kladivom, da izbijete žebelj, ki blokira izmetno odprtino. Znova namestite zvitek žebeljev in zaprite pokrov zalogovnika.

VZDRŽEVANJE

▲POZOR: Pred pregledom ali vzdrževanjem orodja vedno pomaknite sprožilec v izhodiščni položaj in z orodja odklopite cev za zrak.

OBVESTILO: Ne uporabljajte bencina, razredčila, alkohola ali podobnih sredstev, razen če je v priročniku drugače navedeno. Orodje se lahko razbarva ali deformira oziroma lahko nastanejo razpoke.

Žebliji

Previdno ravajte z zviti žebeljev in njihovo embalažo. Če z zviti žebeljev ravnate grobo, jih lahko deformirate, zaradi česar se slabo podajajo.

Žebeljev ne shranjujte v zelo vlažnem ali vročem prostoru in jih ne izpostavljajte neposredni sončni svetlobi.

Čiščenje in odstranjevanje katrana ter umazanije

▲POZOR: Uporabljajte vodotesne rokavice za zaščito rok.

Če so območja okrog kontaktnega elementa zamazana s katranom in umazanijo, se kontaktni element (varnostni mehanizem) ne bo gladko premikal, kar bo povzročilo nenamerno sprožitev žeblja. Redno čistite območja okrog kontaktnega elementa.

Uporabite topilo, kot je kerozin, kurilno olje #2 ali dizelsko gorivo. V topilu namakajte samo kontaktni element in območja okrog izmetne odprtine ter odstranite katran in umazanijo s krtačo.

► **SI.18**

OBVESTILO: Ne namakajte ohišja, zalogovnika in drugih delov orodja v topilo. V nasprotnem primeru lahko pride do okvare orodja.

OPOMBA: Uporabljeno topilo vedno odstranite na varen način ter skladno z vso lokalno in nacionalno zakonodajo.

Vzdrževanje žebjalnika

Pred začetkom dela preverite splošno stanje orodja in trdnost pritrditve vijakov. Vijake po potrebi zategnite.

Ko je orodje odklopljeno, izvedite dnevni pregled, da zagotovite prosto premikanje kontaktnega elementa in sprožilca. Orodja ne uporabljajte, če se kontaktni element ali sprožilec zatika.

Če orodja ne boste uporabljali dlje časa, ga namažite z oljem za pnevmatsko orodje in shranite na varnem mestu. Ne izpostavljajte orodja neposredni sončni svetlobi in/ali vlagi oziroma vročini.

► **SI.19**

Vzdrževanje kompresorja, zračnega kompleta in cevi za zrak

Po uporabi vedno izpraznite rezervoar kompresorja in zračni filter. Če v notranjost orodja vdre vlaga, lahko povzroči slabo učinkovitost delovanja in morebitno okvaro orodja.

► **SI.20:** 1. Izpustni ventil

► **SI.21:** 1. Zračni filter

Redno preverjajte, ali je v oljniku zračnega kompleta zadostna količina pnevmatskega olja. Nezadostno mazanje bo povzročilo hitro obrabo O-obročev.

► **SI.22:** 1. Oljnik 2. Olje za pnevmatska orodja

Cevi za zrak ne približujte virom toplote (nad 60 °C, nad 140 °F) ali kemikalijam (razredčila, močne kisline ali alkalije). Poleg tega cev speljite proč od ovir, v katere bi se lahko ujela med uporabo. Cev ne sme biti speljana prek ostrih robov in območij, ki jo lahko poškodujejo ali odrgnejo.

VARNO in ZANESLJIVO delovanje tega izdelka bo zagotovljeno le, če boste popravila, vzdrževanje in nastavitve prepustili pooblaščenemu servisu za orodja Makita ali tovarniškemu osebju, ki vgrajuje izključno originalne nadomestne dele.

DODATNA OPREMA

⚠ POZOR: Ta dodatni pribor ali pripomočki so predvideni za uporabo z orodjem Makita, ki je opisano v teh navodilih za uporabo. Pri uporabi drugega pribora ali pripomočkov obstaja nevarnost telesnih poškodb. Dodatni pribor ali pripomočke uporabljajte samo za navedeni namen.

Za več informacij o dodatni opremi se obrnite na najbližji pooblaščen servis za orodja Makita.

- Žebli
- Cev za zrak
- Zaščitna očala

OPOMBA: Nekateri predmeti na seznamu so lahko priloženi orodju kot standardna dodatna oprema. Lahko se razlikujejo od države do države.

SPECIFIKIMET

Modeli:		AN454
Presioni i ajrit		0,49 - 0,83 MPa (4,9 - 8,3 bar)
Kunji	Lloji	Gozhdë me gjerdan në tel (gozhdë për çati)
	Gjatësia	19 mm - 45 mm
	Diametri	3,05 mm
Kapaciteti i gozhdëve		120 copë.
Vaji i veglës pneumatike		ISO VG32 ose ekuivalenti
Diametri minimal i tubit		6,5 mm
Përmasat (GJ x T x L)		256 mm x 117 mm x 271 mm
Pesha neto		2,4 kg

- Për shkak të programit tonë të vazhdueshëm të kërkim-zhvillimit, specifikimet që jepen këtu mund të ndryshojnë pa dhënë njoftim.
- Specifikimet mund të ndryshojnë nga njëri shtet në tjetrin.

Simbolet

Pjesët në vazhdim tregojnë simbolet e përdorura për pajisjen. Sigurohuni që merrni vesh kuptimin e tyre përpara përdorimit.



Lexoni manualin e përdorimit.



Mbani syze mbrojtëse.



Mbani mbrojtëse për veshët.



Vegla ka aftësinë të punojë në regjimin e aktivizimit me kontakt.



Mos e përdorni mbi skela dhe shkallë.

Përdorimi i shtuar

Vegla përdoret për punë të brendshme paraprake si rregullimi i trarëve ose trungjeve të dyshemesë dhe për punët inkuadruese në banesat me dru 2" x 4".

Vegla është vetëm për përdorim profesional me volum të lartë. Mos e përdorni atë për qëllime të tjera. Ajo nuk është projektuar për të ngulur kunjja direkt mbi një sipërfaqe të fortë si çeliku apo betoni.

Zhurma

Niveli tipik i zhurmës A, i matur sipas ISO11148-13(EN12549):

Niveli i presionit të zhurmës (L_{pA}): 102 dB (A)

Niveli i fuqisë së zhurmës (L_{WA}): 113 dB (A)

Pasiguria (K): 1,5 dB (A)

SHËNIM: Vlerat e deklaruar totale të emetimeve të zhurmës janë matur sipas një metode standarde testimi dhe mund të përdoren për të krahasuar një vegël me një tjetër.

SHËNIM: Vlerat e deklaruar të emetimeve të zhurmës mund të përdoren për një vlerësim paraprak të ekspozimit.

PARALAJMËRIM: Mbani mbrojtëse për veshët.

PARALAJMËRIM: Emetimet e zhurmës gjatë përdorimit aktual të veglës elektrike mund të ndryshojnë nga vlerat e deklaruar në varësi të mënyrave sesi përdoret vegla, veçanërisht nga lloji i materialit të punës që përdoret.

PARALAJMËRIM: Vërtetoni që masat e sigurisë për mbrojtjen e përdoruesit bazohen në vlerësimin e ekspozimit ndaj kushteve aktuale të përdorimit (duke marrë parasysh të gjitha pjesët e ciklit të funksionimit si ato kur pajisja është e fikur dhe punon pa prerë ashtu edhe kohën e përdorimit).

Dridhja

Vlera totale e dridhjeve e përcaktuar sipas

ISO11148-13(ISO8662-11):

Emetimi i dridhjeve (a_{hp}): 5,7 m/s²

Pasiguria (K): 1,5 m/s²

SHËNIM: Vlerat e deklaruar totale të dridhjeve janë matur sipas një metode standarde testimi dhe mund të përdoren për të krahasuar një vegël me një tjetër.

SHËNIM: Vlerat e deklaruar totale të dridhjeve mund të përdoren për një vlerësim paraprak të ekspozimit.

▲PARALAJMËRIM: Emetimet e dridhjeve gjatë përdorimit aktual të veglës elektrike mund të ndryshojnë nga vlerat e deklaruara në varësi të mënyrave sesi përdoret vegla, veçanërisht nga lloji i materialit të punës që përdoret.

▲PARALAJMËRIM: Vërtetoni që masat e sigurisë për mbrojtjen e përdoruesit bazohen në vlerësimin e ekspozimit ndaj kushteve aktuale të përdorimit (duke marrë parasysh të gjitha pjesët e ciklit të funksionimit si ato kur pajisja është e fikur dhe punon pa prerë ashtu edhe kohën e përdorimit).

Deklarata e konformitetit me KE-në

Vetëm për shtetet evropiane

Deklarata e konformitetit me KE-në përfshihet si Shtojca A në këtë manual përdorimi.

PARALAJMËRIME SIGURIE

Paralajmërimet e sigurisë të gozhduesit/mbërthyesit pneumatik të kapëseve

▲PARALAJMËRIM: Lexoni të gjitha paralajmërimet dhe udhëzimet për sigurinë. Mosndjekja e paralajmërimeve dhe e udhëzimeve mund të rezultojë në lëndime serioze, goditje elektrike dhe/ose zjarr.

Ruajini të gjitha paralajmërimet dhe udhëzimet për të ardhmen.

Për sigurinë personale dhe funksionimin dhe mirëmbajtjen e veglës, lexoni këtë manual përdorimi përpara së të përdorni veglën.

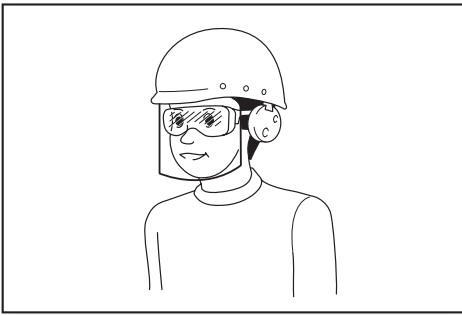
Siguria e përgjithshme

1. Ndalohet çdo përdorim tjetër përveç përdorimit për të cilin është prodhuar. Veglat e nguljes së kunjave me aktivizim të vazhdueshëm ose me kontakt duhet të përdoren vetëm për aplikime prodhimi.
2. Mbajini gishtat larg nga këmbëza kur nuk e përdorni këtë vegël dhe kur lëvizini nga një pozicion pune në tjetrin.
3. Rreziqe të shumta. Lexoni dhe kuptoni udhëzimet e sigurisë përpara lidhjes, shkëputjes, ngarkimit, përdorimit, mirëmbajtjes, ndërrimit të aksesorëve ose punimeve pranë veglës. Nëse nuk vepronit kështu mund të rezultojë në lëndime serioze të trupit.
4. Mbajini larg drejtimit të shkrepjes të gjitha pjesët e trupit siç janë duart, këmbët, etj. dhe sigurohuni që kunjat të mos depërtojnë nga materiali i punës në pjesët e trupit.
5. Kur përdorni veglën, jini të vetëdijshëm që kunjat mund të shmanget dhe të shkaktojnë lëndime.
6. Mbajeni veglën fort dhe përgatituni të menaxhoni zbrapsjen.

7. Vetëm operatorët e aftë teknikisht duhet ta përdorin veglën e nguljes së kunjave.
8. Mos e modifikoni veglën e nguljes së kunjave. Modifikimet mund të reduktojnë efikasitetin e masave të sigurisë dhe rrisin rreziqet ndaj operatorit dhe/ose të personave të tjerë pranë.
9. Mos e hidhni manualin e përdorimit.
10. Mos e përdorni veglën nëse vegla është dëmtuar.
11. Kini kujdes kur përdorni kunjat, veçanërisht kur i ngarkoni dhe i zbrazni, sepse kunjat kanë ngarkim të mprehta që mund të shkaktojnë lëndime.
12. Gjithmonë kontrollojeni veglën përpara se ta përdorni për pjesë të thyera, të shkëputura ose të konsumuara.
13. Mos u zgjatni më shumë seç duhet. Përdorimi vetëm në një vend të sigurt pune. Mbani në çdo moment këmbët në pozicionin e duhur dhe ruani ekuilibrin.
14. Mbajini personat e tjerë larg (kur punoni në një zonë ku ka të ngjarë që të kalojnë njerëz). Shënojeni qartë zonën ku ju punoni.
15. Asnjëherë mos e drejtoni veglën ndaj vetes ose të tjerëve.
16. Mos e mbështetni gishtin në këmbëz kur e ngrini veglën, kur lëvizini mes zonave dhe pozicioneve të punës ose kur ecni, sepse gishtit i mbështetur mbi këmbëz mund të çojë në aktivizim pa dashje të veglës. Për veglat me aktivizim selektiv, gjithmonë kontrolloni veglën përpara përdorimit për të siguruar se është zgjedhur regjimi i duhur.
17. Mbani veshur vetëm doreza që sigurojnë ndjesi të mjaftueshme dhe kontroll të sigurt të këmbëzave dhe pajisjeve të tjera rregulluese.
18. Kur e lini veglën, shtrijeni atë poshtë mbi një sipërfaqe të sheshtë. Nëse përdorni grepin me të cilin është pajisur vegla, vareni veglën në mënyrë të sigurt mbi sipërfaqen e qëndrueshme.
19. Mos kryeni veprime me veglën kur jeni nën ndikimin e alkoolit, drogave ose substancave të ngjashme.

Rreziqet nga fluturimi i kunjave

1. Vegla e nguljes së kunjave duhet të shkëputet kur zbrazni kunjat, bëni rregullime, pastroni bllokimet ose ndërroni aksesorët.
2. Gjatë përdorimit kini kujdes që kunjat të depërtojnë saktë në material dhe të mos shmangen/shkrepjen gabimisht drejt operatorit dhe/ose personave të tjerë afër.
3. Gjatë përdorimit, mund të dalin mbetje nga materiali i punës dhe sistemi i nguljes/sistemimit.
4. Gjithmonë mbani veshje mbrojtëse për të mbrojtur sytë nga lëndimi kur përdorni veglat elektrike. Syzet mbrojtëse duhet të jenë në pajtim me ANSI Z87.1 në SHBA, EN 166 në Evropë ose AS/NZS 1336 në Australi/Zelandën e Re. Në Australi/Zelandën e Re, ligji kërkon që të mbahet gjithashtu edhe një mbrojtëse fytyre për të mbrojtur fytyrën.



Është përgjegjësi e punëdhënësit të detyrojë përdorimin e pajisjeve të duhura mbrojtëse për sigurinë nga punëtorët dhe nga personat e tjerë që ndodhen pranë ambienteve të punës.

5. Rreziqet ndaj të tjerëve duhet të vlerësohen nga operatori.
6. Tregoni kujdes me veglat pa kontakt me materialin e punës sepse ato mund të shkrepen pa dashje dhe mund të lëndojnë operatorin dhe/ose personat e tjerë afër.
7. Sigurohuni që vegla të jetë gjithmonë e vendosur mirë mbi materialin e punës dhe që të mos rrëshqasë.
8. Mbani mbrojtëse për dëgjimin për të ruajtur veshët nga zhurma dhe mbrojtëse për kokën. Gjithashtu vishni rroba të lehta por jo të gjera. Mëngët duhet të jenë të mbyllura me kopsa ose të përveshura. Nuk duhet të vishni kollare.

Rreziqet gjatë punës

1. Mbajeni veglën siç duhet: qëndroni vigjilentë që të veproni ndaj lëvizjeve normale ose të papritura siç janë zbrapsjet.
2. Mbani një pozicion të ekuilibruar të trupit dhe mbështetje të mirë të këmbëve.
3. Duhet të përdoren syzet e duhura të sigurisë dhe rekomandohen dorezat dhe veshjet mbrojtëse të duhura.
4. Duhet të mbani veshur mbrojtje të përshtatshme për dëgjimin.
5. Përdorni furnizimin e duhur me energji siç udhëzohet në manualin e udhëzimeve.
6. Mos e përdorni veglën në platforma lëvizëse ose në pjesën e pasme të kamionëve. Lëvizja e papritur e platformës mund të humbasë kontrollin e veglës dhe të shkaktojë lëndim.
7. Gjithmonë supozoni që vegla përmban kapëse.
8. Mos e bëni punën me shpejtësi ose mos e përdorni veglën me forcë. Manovrojeni veglën me kujdes.
9. Bëni kujdes këmbët dhe ruani drejtpeshimin kur përdorni veglën. Sigurohuni të mos ketë njeri poshtë kur punoni në vende të larta dhe siguroni tubin e ajrit për të parandaluar rreziqet nëse ka ndonjë lëkundje apo kapje të befte.
10. Në çati dhe në vende të tjera të larta, bëni mbërthimin e kapëseve ndërkohë që ecni përpara. Është shumë e lehtë të pengoheni nëse i vidhosni kapëset duke lëvizur mbrapsht. Kur vidhosni kapëset mbi sipërfaqe pingule, punoni nga lart poshtë. Mund t'i bëni me më pak mundim punët e vidhosjes nëse veproni kështu.

11. Kapësja do të shtrembërohet ose vegla mund të bllokohet nëse vidhosni gabimisht kapëse mbi një kapëse tjetër ose nëse hasni në nyje druri. Kapësja mund të kërcejë dhe të godasë ndonjë person ose vetë vegla mund të reagojë në mënyrë të rrezikshme. Ngulini kapëset me kujdes.
12. Mos e lini veglën të ngarkuar apo kompresorin e ajrit nën presion për kohë të gjatë nën dritën e drejtpërdrejtë të diellit. Sigurohuni që të mos hyjnë pluhur, ashkla apo lëndë e huaj në vegël në vendin ku e ruani.
13. Mos u përpiqni të vidhosni kapëse në anën e brendshme dhe të jashtme në të njëjtën kohë. Kapëset mund të çajjnë materialin dhe/ose të fluturojnë tejt, duke përbërë rreziq të lartë.

Rreziqet nga lëvizjet përsëritëse

1. Kur e përdorni këtë vegël për periudha të gjata, operatori mund të ketë shqetësime në duar, krahë, shpatulla, qafë apo pjesë të tjera të trupit.
2. Gjatë përdorimit të një vegle, operatori duhet të mbajë një pozicion të përshtatshëm, por edhe ergonomik. Mbani mbështetje të mirë të këmbëve dhe shmangni pozicionet e çuditshme ose të pabalancuara.
3. Nëse operatori ka simptoma të vazhdueshme ose të përsëritura, të tilla si shqetësime, dhimbje, dridhje, mpirje, therje, ndjesi djegieje apo ngërç, mos i shpërfillni këto shenja paralajmëruese. Operatori duhet të konsultohet me një profesionist të kualifikuar të kujdesit shëndetësor në lidhje me aktivitetet e përgjithshme.
4. Përdorimi i vazhdueshëm i veglës mund të shkaktojë lëndime nga lëvizjet përsëritëse për shkak të zbrapsjes së prodhuar nga vegla.
5. Për të shmangur lëndimin nga lëvizjet përsëritëse, përdoruesi nuk duhet të zgjatet më shumë se ç'është e mundur apo të përdorë forcë të tepërt. Gjithashtu, përdoruesi duhet të bëjë pushim kur ndien lodhje.
6. Kryeni një vlerësim të rreziqit në lidhje me rreziqet e lëvizjeve përsëritëse. Ai duhet të fokusohet te çrregullimet muskulore-skeletore dhe preferohet të bazohet në supozimin se ulja e lodhjes gjatë punës është efikase në reduktimin e çrregullimeve.

Rreziqet nga aksesorët dhe pjesët e konsumit

1. Shkëputni furnizimin me energji të veglës, siç është ajri, gazi ose bateria, sipas përdorimit, përpara se të ndërroni/zëvendësoni aksesorët e tillë siç është kontakti me materialin e punës, ose të bëni rregullime.
2. Përdorni vetëm madhësitë dhe llojet e aksesorëve që ofrohen nga prodhuesi.
3. Përdorni vetëm lubrifikantët e rekomanduar në këtë manual.

Rreziqet në vendin e punës

1. Rrëshqitjet, rrëzimet dhe rëniet janë shkaqet kryesore të lëndimeve në vendin e punës. Kini kujdes nga sipërfaqet e rrëshqitshme të shkaktuara nga përdorimi i veglës dhe gjithashtu nga rreziqet e pengimit të shkaktuara nga tubat që qëndrojnë në ajër.

2. Veproni me më shumë kujdes kur ndodhjeni në mjedise që nuk i njihni. Mund të ekzistojnë rreziqet të fshehura, siç janë linjat elektrike apo të tjera linja të shërbimeve komunale.
3. Kjo vegël nuk është prodhuar për t'u përdorur në atmosfera me rrezik shpërthimi dhe nuk është e izoluar nga rënia në kontakt me energjinë elektrike.
4. Sigurohuni që të mos ketë kablo elektrike, tuba gazit, etj. që mund të shkaktojnë rrezik nëse dëmtohen nga përdorimi i veglës.
5. Mbajeni zonën e punës të pastër dhe të ndriçuar mirë. Zonat e rrëmujshme ose të errëta provokojnë aksidente.
6. Mund të ketë rregullore vendore në lidhje me zhurmën, të cilat duhen zbatuar duke mbajtur zhurmat brenda kufijve të përcaktuar. Në disa raste duhen përdorur kanata për të kufizuar zhurmën.

Rreziqet nga pluhuri dhe ajri që del

1. Gjithmonë kontrolloni mjedisin rrotull. Ajri që del nga vegla mund të fryjë pluhurin ose objektet dhe të godasë operatorin dhe/ose personat që janë pranë.
2. Drejtojeni nxjerrjen e gazeve në mënyrë të tillë që të minimizohet trazimi i pluhurit në një mjedis të mbushur me pluhur.
3. Nëse në zonën e punës emetohet pluhur ose objekte, reduktoni emetimin sa më shumë të jetë e mundur për të reduktuar rreziqet ndaj shëndetit dhe rrezikun e lëndimit.

Rreziqet nga zhurmat

1. Ekspozimi i pambrojtur ndaj niveleve të larta të zhurmës mund të shkaktojë humbje të përhershme dhe gjymtuese të dëgjimit, dhe probleme të tjera siç është tinitusi (tringëllima, zile, fërsëllima apo gumëzhitje në veshë).
2. Kryeni një vlerësim të rrezikut në lidhje me rreziqet e zhurmës në zonën e punës dhe vini në zbatim kontrollet e duhura për këto rreziqe.
3. Kontrollet e duhura për të reduktuar rrezikun mund të përfshijnë veprime të tilla si njomja e materialeve për të mos lejuar që materialet e punës të "kumbojnë".
4. Përdorni mbrojtëse të përshtatshme për dëgjimin.
5. Përdorni dhe mirëmbajeni veglën siç rekomandohet në këto udhëzime, për të mos lejuar rritjen e panevojshme në nivelet e zhurmës.
6. Merrni masa për reduktimin e zhurmës, për shembull duke i vendosur materialet e punës në mbështetëse që zbusin zhurmën.

Rreziqet nga dridhja

1. Emetimi i dridhjes gjatë punës varet për shembull nga forca e mbërthimit, forca e presionit të kontaktit, drejtimi i punës, rregullimi i furnizimit me energji, materiali i punës, mbështetja e materialit të punës. Kryeni një vlerësim të rrezikut në lidhje me rreziqet e dridhjeve dhe vini në zbatim kontrollet e duhura për këto rreziqe.
2. Ekspozimi ndaj dridhjeve mund të shkaktojë dëmtim gjymtues të nervat dhe të furnizimi me gjak i duarve dhe krahëve.

3. Vishni veshje të ngrohta kur punoni në kushte të ftohta, mbajini duart tuaja të ngrohta dhe të thata.
4. Nëse keni mpirje, therje, dhimbje ose zbardhje të lëkurës në gishta ose duar, kërkoni këshillë mjekësore nga një profesionist i kualifikuar i shëndetit në punë në lidhje me aktivitetet e përgjithshme.
5. Përdorni dhe mirëmbajeni veglën siç rekomandohet në këtë udhëzime, për të mos lejuar rritjen e panevojshme në nivelet e dridhjeve.
6. Mbajeni veglën me një shtrëngim të lehtë, por të sigurt, sepse rreziku nga dridhjet është në përgjithësi më i lartë kur forca e shtrëngimit është më e madhe.

Paralajmërimi shtesë për veglat pneumatike

1. Ajri i ngjeshur mund të shkaktojë lëndime serioze.
2. Gjithmonë mbylleni furnizimin me ajër dhe shkëputeni veglën nga furnizimi me ajër kur ajo nuk është në përdorim.
3. Gjithmonë shkëputeni veglën nga furnizimi me ajër të ngjeshur përpara se të ndërroni aksesoret, të bëni rregullime dhe/ose riparime, kur lëvizni nga një zonë pune në një zonë tjetër.
4. Mbajini gishtat larg nga këmbëza kur nuk e përdorni veglën dhe kur lëvizni nga një pozicion pune në tjetrin.
5. Asnjëherë mos ia drejtoni ajrin e ngjeshur vetes ose dikujt tjetër.
6. Tubat fshikullues mund të shkaktojnë lëndime serioze. Gjithmonë kontrolloni për tuba ose pajisje të dëmtuara ose të lira.
7. Asnjëherë mos i mbani veglat pneumatike nga tubi i tyre.
8. Asnjëherë mos i zvarrisni veglat pneumatike nga tubi i tyre.
9. Kur përdorni vegla pneumatike, mos tejkaloni presionin maksimal të përdorimit ps max.
10. Veglat pneumatike duhet të furnizohen me ajër të ngjeshur vetëm në presionet më të ulëta të kërkuara për procesin e punës, për të reduktuar zhurmën dhe dridhjet, si dhe për të minimizuar konsumimin.
11. Përdorimi i oksigjenit ose gazeve të djegshme për përdorimin e veglave pneumatike krijon rrezik zjarri dhe shpërthimi.
12. Tregoni kujdes kur përdorni vegla pneumatike sepse vegla mund të ftohet, gjë që ndikon te mbërthimi dhe kontrolli.

Paralajmërimi shtesë për veglat me aftësi aktivizimi me kontakt



1. Mos e mbështetni gishtin në këmbëz kur e ngrini veglën, kur lëvizni mes zonave dhe pozicioneve të punës ose kur ecni, sepse gishti i mbështetur mbi këmbëz mund të çojë në aktivizim pa dashje të veglës. Për veglat me aktivizim selektiv, gjithmonë kontrolloni veglën përpara përdorimit për të siguruar se është zgjedhur regjimi i duhur.

2. Kjo vegël ka ose aktivizim selektiv për aktivizimin me kontakt, ose aktivizim me kontakt të vazhdueshëm përmes selektorëve të regjimit të aktivizimit ose është vegël me aktivizim me kontakt ose me kontakt të vazhdueshëm dhe është shënuar me simbolin e mësipërm. Qëllimi për të cilin janë prodhuar është për aplikimet e prodhimit siç janë paletat, mobiliet, shtëpitë e parafabrikuara, tapiceritë dhe mbështjelljet.
3. Nëse kjo vegël përdoret në regjimin e aktivizimit selektiv, gjithmonë sigurohuni që të jetë në parametrin e duhur të aktivizimit.
4. Mos e përdorni këtë vegël për përdorime me aktivizim me kontakt të tilla si mbyllja e kutive apo e arkave dhe për montimin e sistemeve të sigurisë së transportit në trajlerë dhe kamionë.
5. Tregoni kujdes kur ndryshoni nga një vendndodhje nguljeje në një tjetër.

Pajisjet e sigurisë

1. Sigurohuni që punojnë të gjitha sistemet e sigurisë përpara se të nisni punën. Vegla nuk duhet të punojë nëse tërhiqet vetëm këmbëza ose nëse krahu i kontaktit është mbështetur përmbi dru. Ajo duhet të punojë vetëm kur kryhen të dyja veprimet. Testoni për funksionim problematik me kapëse të hequra dhe me shtytësin në pozicion plotësisht të tërhequr.
2. Sigurimi i këmbëzës në pozicionin NDEZUR është tepër i rrezikshëm. Mos u përpiqni kurrë ta lidhni këmbëzën.
3. Mos u përpiqni ta mbani shtypur me shirit ngjitës apo me tel elementin e kontaktit. Mund të shkaktoni lëndim të rëndë ose vdekje.
4. Kontrolloni gjithnjë elementin e kontaktit sipas udhëzimeve në manual. Kapëset mund të lëshohen aksidentalisht nëse mekanizmi i sigurisë nuk punon siç duhet.

Shërbimi

1. Bëni pastrimin dhe mirëmbajtjen menjëherë pas përfundimit të punës. Mbajeni veglën në kushtet më optimale. Vajosni pjesët e lëvizshme për të parandaluar ndryshkjen dhe për të minimizuar konsumin për shkak të fërkimit. Pastroni të gjithë pluhurin nga pjesët.
2. Pyesni qendrën e autorizuar të shërbimit të Makita-s për inspektimin periodik të veglës.
3. Për të ruajtur SIGURINË dhe BESUESHMËRINË, mirëmbajtja dhe riparimet duhen kryer nga qendrat e autorizuara të shërbimit të Makita-s, duke përdorur gjithnjë pjesë këmbimi të Makita-s.
4. Zbatoni rregulloret lokale kur hidhni veglën.

RUAJINI KËTO UDHËZIME.

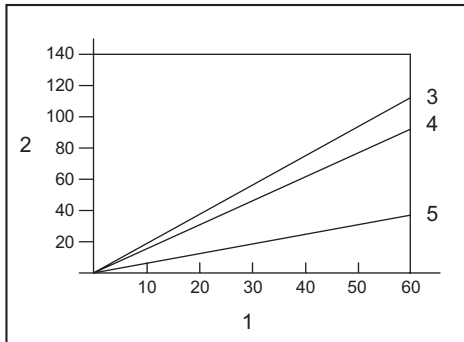
▲ PARALAJMËRIM: MOS lejoni që njohja ose familjarizimi me produktin (të fituara nga përdorimi i shpeshtë) të zëvendësojnë zbatimin me përpikëri të rregullave të sigurisë për produktin në fjalë. KEQPËRDORIMI ose mosndjekja e rregullave të sigurisë të dhëna në këtë manual përdorimi mund të shkaktojnë dëmtime të rënda personale.

PËRSHKRIMI I PJESËVE

- Fig.1: 1. Këmbëza 2. Elementi i kontaktit
3. Përzgjedhësi i regjimit të aktivizimit
4. Kaseta 5. Grepit

INSTALIMI

Zgjedhja e kompresorit



1. Frekuenca e gozhdimit (herë/minutë)
2. Dalja e ajrit të kompresorit për minutë (L/minutë)
3. 0,83 MPa (8,3 bar)
4. 0,66 MPa (6,6 bar)
5. 0,49 MPa (4,9 bar)

Kompresori i ajrit duhet të plotësojë kërkesat e EN60335-2-34.

Zgjidhni një kompresor që ka presion dhe nxjerrje të mjaftueshme ajri për të siguruar përdorim me kosto efikase. Grafiku tregon lidhjen midis shpejtësisë së gozhdimit, presionit të ushtrueshëm dhe nxjerrjes së ajrit të kompresorit. Kështu, për shembull, nëse gozhdimi kryhet në shpejtësi prej afro 60 herë në minutë me kompresim 0,83 MPa (8,3 bar), atëherë nevojitet kompresor me nxjerrje ajri mbi 110 litra/minutë.

Duhen përdorur rregullatorë presioni për të kufizuar presionin e ajrit në presionin e vlerësuar të veglës, në rastet kur presioni i furnizimit me ajër tejkalon presionin e vlerësuar të veglës. Nëse nuk e bëni këtë mund t'i shkaktoni lëndime të rënda përdoruesit të veglës ose personave të tjerë përreth.

Zgjedhja e tubit të ajrit

▲KUJDES: Nxjerrja e ulët e ajrit nga kompresori, ose diametri më i gjatë apo më i vogël i tubit të ajrit në lidhje me shpejtësinë e gozhdimit mund të shkaktojë rënie të aftësisë drejtuese të veglës.

► Fig.2

Përdorni tub ajri sa më të madh dhe më të shkurtër të mundshëm për të siguruar gozhdim të vazhdueshëm dhe efikas.

Për presion ajri prej 0,49 MPa (4,9 bar), rekomandohet tub ajri me diametër të brendshëm prej mbi 6,5 mm dhe gjatësi prej më pak se 20 m kur intervali midis çdo gozhdimi është 0,5 sekonda.

Tubat e furnizimit të ajrit duhet të kenë një kapaciteti për presion minimal pune prej 1,03 MPa (10,3 bar) ose 150 për qind të presionit maksimal të prodhuar në sistem, cilado që të jetë më e lartë.

Vajosja

► Fig.3

Për të siguruar performancë maksimale, instaloni grup ajri (vajosës, rregullator, filter ajri) sa më pranë veglës. Rregullojeni vajosësin në mënyrë të atillë që të lëshojë një pikë vaji për çdo 30 gozhda.

Kur nuk përdoret grup ajri, vajoseni veglën me vajin e veglës pneumatike duke lëshuar 2 (dy) ose 3 (tre) pika në pajisjen e ajrit. Kjo duhet bërë përpara dhe pas përdorimit. Për t'u vajosur siç duhet, vegla duhet të shkrepet dy-tri herë derisa të hyjë vaji i veglës pneumatike.

► Fig.4: 1. Vaji i veglës pneumatike

PËRSHKRIMI I PUNËS

▲KUJDES: Përpara se të rregulloni ose të kontrolloni funksionin në vegël, gjithmonë ktheni në vend këmbëzën dhe shkëputni tubin e ajrit nga vegla.

Rregullimi i thellësisë së gozhdimit

▲KUJDES: Lirojeni gjithmonë këmbëzën dhe shkëputni tubin përpara se të rregulloni thellësinë e gozhdimit.

► Fig.5: 1. Rregulluesi

Për të rregulluar thellësinë e gozhdimit, rrotulloni rregulluesin.

Thellësia e gozhdimit është më e thella kur rregulluesi rrotullohet plotësisht në drejtimin A të treguar në figurë. Ajo do të bëhet më e cekët ndërsa rregulluesi rrotullohet në drejtimin B.

Nëse gozhdët nuk mund të hyjnë aq thellë sa kërkohet edhe kur rregulluesi rrotullohet plotësisht në drejtimin A, shtoni presionin e ajrit.

Nëse gozhdët ngulen shumë thellë edhe kur rregulluesi rrotullohet plotësisht në drejtimin B, ulni presionin e ajrit.

Përgjithësisht, jetëgjatësia e shërbimit do të jetë më e madhe nëse vegla përdoret me presion më të ulët të ajrit dhe nëse rregulluesi vendoset në thellësi më të thellë të nguljes së gozhdëve.

Grepit

▲KUJDES: Lirojeni gjithmonë këmbëzën dhe shkëputni tubin përpara se të ndryshoni pozicionin e gripit.

▲KUJDES: Mos e varni asnjëherë veglën në vend të lartë ose në sipërfaqe që mund të jetë e paqëndrueshme.

▲KUJDES: Mos e varni gripin nga rripi i mesit. Nëse gozhduesi bie aksidentalisht, kjo mund të rezultojë në shkrepte aksidentale dhe lëndime personale.

► Fig.6

► Fig.7: 1. Grepit 2. Buloni heksagonal 3. Vrima

Grepit shërben për ta varur veglën përkohësisht. Për të ndryshuar pozicionin e gripit, hiqni bulonin me kokë heksagonale dhe ndryshoni drejtimin e gripit. Grepit ka dy vrima. Zgjidhni vrimën në varësi të gjerësisë së preferuar të gripit.

Rregullimi i udhëzuesit të tjegullës

► Fig.8: 1. Elementi i kontaktit 2. Udhëzuesi i tjegullës 3. Tjegulla

► Fig.9: 1. Pllakëza rregulluese 2. Leva

Udhëzuesi i tjegullës është projektuar për ekspozim të njëtrajtshëm të tjegullës.

Vendoseni tjegullën në pozicionin e dëshiruar. Rrotulloni levën për të liruar pllakëzën rregulluese. Vendoseni gozhduesin në mënyrë që elementi i kontaktit të ulë si tjegullën e ekspozuar, ashtu edhe radhën e mëparshme të tjegullave. Rrëshqitni pllakëzën rregulluese kundrejt fundit të tjegullës së ekspozuar dhe kthejeni levën për të kyçur pllakëzën rregulluese.

MONTIMI

▲KUJDES: Përpara se të kryeni punë në vegël, gjithmonë ktheni në vend këmbëzën dhe shkëputni tubin e ajrit nga vegla.

▲KUJDES: Ngarkoni të njëjtin lloj, madhësi dhe gjatësi uniforme të gozhdëve kur ngarkoni gozhdë në kasetë.

Ngarkimi i gozhduesit

VINI RE: Zgjidhni gozhda të përshtatshme për punën.

VINI RE: Vendoseni pllakëzën mbështetëse të gjerdanit sipas madhësisë së gozhdës që do të përdoret. Nëse vegla përdoret me pllakën mbështetëse të gjerdanit në gradimin e gabuar, mund të rezultojë në lëshim të dobët të gozhdëve ose në avari të veglës.

1. Shtypeni levën kapëse dhe hapni kapakun e kasetës.
► Fig.10: 1. Kapaku i kasetës 2. Leva kapëse

2. Ngrini dhe rrotulloni pllakëzën mbështetëse të gjerdanit në mënyrë që shigjeta me madhësinë e gozhdës të treguar në pllakëzën mbështetëse të gjerdanit të tregojë shkallëzimin korrespondues të gradimit të shënuar në kasetë.

► Fig.11: 1. Pllakëza mbështetëse e gjerdanit 2. Gradimi 3. Shigjeta

3. Vendoseni gjerdanin e gozhdëve mbi pllakën mbështetëse të gjerdanit. Çmbështetillni gozhdët sa duhet për të arritur të gremçit furnizues. Vendosni gozhdën e parë në kanalën e lëshimit dhe gozhdën e dytë në gremçin furnizues. Vendosni gozhda të tjera të çmbështjella në trupin e furnizuesit. Mbylleni kapakun e kasetës pasi të keni kontrolluar që gjerdani i gozhdëve është vënë siç duhet në kasetë.

► Fig.12: 1. Gremçit furnizues

Lidhja e tubit të ajrit

▲KUJDES: Mos e vendosni gishtin te këmbëza kur lidhni tubin e ajrit.

► Fig.13: 1. Pajisja e ajrit 2. Foleja e ajrit

Vendoseni fole në e ajrit të tubit të ajrit në pajisjen e ajrit në vegël. Sigurohuni që fole të e ajrit të bllokohen mirë në pozicion kur i instaloni në pajisjen e ajrit. Duhet instaluar dhe një bashkues tubash mbi veglën apo pranë saj në mënyrë të atillë që rezervuari i presionit të shkarkohet në çastin kur shkëputet bashkimi i furnizimit me ajër.

PËRDORIMI

▲KUJDES: Sigurohuni që të punojnë të gjitha sistemet e sigurisë përpara se të nisni punën.

Kontrolli i punimit të duhur përpara përdorimit

Përpara përdorimit, gjithmonë kontrolloni pikat e mëposhtme.

- Sigurohuni që vegla të mos përdoret vetëm duke lidhur tubin e ajrit.
- Sigurohuni që vegla të mos përdoret vetëm duke tërhequr këmbëzën.
- Sigurohuni që vegla të mos përdoret vetëm duke vendosur elementin e kontaktit te materiali i punës pa tërhequr këmbëzën.
- Në modalitetin e aktivizimit me një sekuencë, sigurohuni që vegla nuk funksionon kur tërhiqni këmbëzën në fillim dhe më pas vendosni elementin e kontaktit te materiali i punës.


Zgjedhja e mënyrës së funksionimit

▲KUJDES: Gjithmonë sigurohuni që përzgjedhësi i regjimit të aktivizimit të jetë vendosur siç duhet në pozicionin për regjimin e dëshiruar të nguljes së gozhdëve përpara nguljes.

► Fig.14: 1. Përzgjedhësi i regjimit të aktivizimit


Regjimi i aktivizimit me një sekuencë:

Mund të ngulni një gozhdë me një veprim sekuencial. Zgjidheni këtë regjim kur ngulni gozhdë me kujdes dhe saktë.

Për të zgjedhur këtë regjim, vendoseni përzgjedhësin e regjimit të aktivizimit në pozicionin .

Regjimi i aktivizimit me kontakt:

Mund të ngulni gozhdë në mënyrë të përsëritur duke vendosur elementin e kontaktit me këmbëzën të tërhequr.

Për të zgjedhur këtë regjim, vendoseni përzgjedhësin e regjimit të aktivizimit në pozicionin .

Aktivizimi me një sekuencë

▲KUJDES: Mos e mbani me forcë të tepruar elementin e kontaktit te materiali i punës. Gjithashtu, shkrepni këmbëzën plotësisht dhe mbajeni shkrepur për 1-2 sekonda pas gozhdimit.

Edhe në modalitetin "Aktivizimi me një sekuencë", tërheqja përgjysmë e këmbëzës shkaktton gozhdim të papritur, kur elementi i kontaktit kontakton sërish me materialin e punës.

Vendoseni elementin e kontaktit te materiali i punës dhe tërhiqni plotësisht këmbëzën.

Pas gozhdimit, lëshojeni elementin e kontaktit, dhe më pas lëshoni këmbëzën.

► Fig.15

Aktivizimi me kontakt



Shkrepni përpara dhe pastaj vendosni elementin e kontaktit te materiali i punës.

► Fig.16

Heqja e gozhdëve të ngecura

▲KUJDES: Kthejeni gjithmonë në vend këmbëzën dhe shkëputni tubin përpara se të hiqni gozhdët e ngecura.

▲KUJDES: Mos përdorni gozhdë apo shirita gozhdësh të deformuara. Nëse nuk veproni kështu, mund të shkaktoni keqfurnizim me gozhdë.

► Fig.17: 1. Çekiçi 2. Shufra e vogël 3. Tyta

Kur ju bllokohet gozhduesi veproni si më poshtë: Hapni kapakun e kasetës dhe hiqni gjerdanin e gozhdëve. Futni një shufër të vogël ose diçka të ngjashme në portën dalëse dhe goditeni me çekiç për të nxjerrë bllokimin e gozhdës nga tyta. Rivendoseni gjerdanin e gozhdëve dhe mbyllni kapakun.

MIRËMBAJTJA

▲KUJDES: Përpara se të kryeni inspektime apo mirëmbajtje, gjithmonë ktheni në vend këmbëzën dhe shkëputni tubin e ajrit nga vegla.

VINI RE: Mos përdorni kurrë benzinë, benzol, hollues, alkoool ose të ngjashme, përveçse kur udhëzoheni ndryshe në këtë manual. Mund të shkaktoni çngjyrosje, deformime ose krisje.

Gozhdët

Përdorini gjerdanët e gozhdëve dhe kutitë e tyre me kujdes. Nëse gjerdanët e gozhdëve përdoren pa kujdes, mund të deformohen, gjë që mund të shkaktojë keqfurnizim me gozhdë.

Shmangni ruajtjen e gozhdëve në vende tepër të lagështa apo të nxehta ose në vende nën dritën e drejtpërdrejtë të diellit.

Pastrimi dhe heqja e ziftit dhe e papastërtive

▲KUJDES: Gjithmonë vishni doreza të papërshkueshme nga uji për të mbrojtur duart.

Njytja e ziftit dhe e papastërtive në zonat përreth elementit të kontaktit do të parandalojë lëvizjen e lehtë të elementit të kontaktit (mekanizmi i sigurisë), duke shkaktuar shkrepe aksidentale. Pastroni periodikisht zonat rreth elementit të kontaktit.

Përdorni një tretës të tillë si vajguri, #2 vaj karburant ose karburant naftë. Zhytni vetëm elementin e kontaktit dhe zonat përreth tytës në tretës dhe hiqni ziftin dhe papastërtitë me furçë.

► Fig.18

VINI RE: Asnjëherë mos zhytni folenë, kasetën etj. në tretës. Mund të rezultojë në keqfuzionim të veglës.

SHËNIM: Gjithmonë hidheni tretësin e përdorur sipas një mënyre të sigurt dhe të kujdesshme dhe në përputhje me të gjitha kërkesat e kodit vendor dhe kombëtar.

Mirëmbajtja e gozhduesit

Gjithnjë kontrolloni veglën për gjendjen e përgjithshme dhe lirojani vidat përpara punës. Shtrëngojeni sipas nevojës.

Me veglën të shkëputur nga korrenti, bëni inspektim çdo ditë për të siguruar lëvizjen e lirshme të elementit të kontaktit dhe të këmbëzës. Mos e përdorni veglën nëse elementi i kontaktit ose këmbëza ngjisin apo kapen.

Kur vegla nuk përdoret për një kohë të gjatë, vajoseni me vajin për vegla pneumatike dhe ruajeni në një vend të sigurt. Shmangni ekspozimin ndaj dritës së drejtpërdrejtë të diellit dhe/ose ndaj lagështisë apo mjedisit të nxehtë.

► Fig.19

Mirëmbajtja e kompresorit, grupit të ajrit dhe tubit të ajrit

Pas përdorimit, zbrazeni gjithnjë depozitën e kompresorit dhe filtrin e ajrit. Nëse lejohet të hyjë lagështi në vegël, mund të shkaktojë performancë të dobët dhe avari të mundshme.

► Fig.20: 1. Rubineti i shkarkimit

► Fig.21: 1. Filtri i ajrit

Kontrolloni rregullisht për të parë nëse ka vaj të mjaftueshëm pneumatik në vajosës për grupin e ajrit. Mosvajosja e mjaftueshme do të shkaktojë konsumimin e shpejtë të unazave hermetizuese.

► Fig.22: 1. Vajosësi 2. Vaji i veglës pneumatike

Mbajeni tubin e ajrit larg nxehtësisë (mbi 60°C, mbi 140°F), larg kimikateve (hollues, acide të forta ose alkale). Gjithashtu, kalojeni tubin larg pengesave që mund të bëhen të rrezikshme nëse takohen gjatë përdorimit. Tubat duhet të drejtohen larg buzëve të mprehta dhe pjesëve që mund të shkaktojnë dëme apo gërvishje të tubit.

Për të ruajtur SIGURINË dhe QËNDRUESHMËRINË, riparimet dhe çdo mirëmbajtje apo rregullim tjetër duhen kryer nga qendrat e autorizuar të shërbimit ose të shërbimit të fabrikës të Makita-s, duke përdorur gjithnjë pjesë këmbimi të Makita-s.

AKSESORË OPSIONALE

▲KUJDES: Këta aksesore ose shtojca rekomandohen për përdorim me veglën Makita të përcaktuar në këtë manual. Përdorimi i aksesoreve apo shtojcave të tjera ndryshe nga këto mund të përbëjë rrezik lëndimi. Aksesoret ose shtojcat përdorini vetëm për qëllimin e tyre të përcaktuar.

Nëse keni nevojë për më shumë të dhëna në lidhje me aksesoret, pyesni qendrën vendore të shërbimit të Makita-s.

- Gozhdët
- Tubi i ajrit
- Syze mbrojtëse

SHËNIM: Disa artikuj të listës mund të përfshihen në paketën e veglës si aksesore standardë. Ato mund të ndryshojnë nga njëri shtet në tjetrin.

СПЕЦИФИКАЦИИ

Модел:		AN454
Налягане на въздуха		0,49 – 0,83 МПа (4,9 – 8,3 бара)
Закрепващ елемент	Тип	Телена спирала с пирони (пирони за покривни конструкции)
	Дължина	19 мм – 45 мм
	Диаметър	3,05 мм
Вместимост на пирони		120 бр.
Масло за пневматични инструменти		ISO VG32 или еквивалентен
Минимален диаметър на маркува		6,5 мм
Размери (Д x Ш x В)		256 мм x 117 мм x 271 мм
Нетно тегло		2,4 кг

- Поради нашата непрекъсната научно-развойна дейност посочените тук спецификации могат да бъдат променени без предизвестие.
- Спецификациите може да са различни в различните държави.

Символи

По-долу са описани символите, използвани за тази машина. За дължително се запознайте с техните значения, преди да пристъпите към работа.



Прочетете ръководството за експлоатация.



Носете предпазни очила.



Използвайте предпазни средства за слуха.



Инструментът има възможност да работи в режим на задействане при контакт.



Не използвайте при работа на скеле или стълба.

Предназначение

Инструментът е предназначен за подготвителни вътрешни работи, като например закрепване на напречни летви под дюшеме или наковане на покривна конструкция с греди 2" x 4" за жилища. Инструментът е предназначен само за професионално приложение с голям обем. Не го използвайте за никаква друга цел. Той не е предназначен за забиване на закрепващи елементи в твърди повърхности като стомана и бетон.

Шум

Обичайното ниво на шума с тегловен коефициент А, определено съгласно ISO11148-13(EN12549):
 Ниво на звукова налягане (L_{pA}): 102 dB(A)
 Ниво на звукова мощност (L_{WA}): 113 dB(A)
 Коефициент на неопределеност (K): 1,5 dB(A)

ЗАБЕЛЕЖКА: Обявената(ите) стойност(и) на шумовите емисии $e(sa)$ измерена(и) в съответствие със стандартни методи за изпитване и може да се използва(т) за сравняване на инструменти.

ЗАБЕЛЕЖКА: Обявеното(ите) стойност(и) на шумови емисии може да се използва(т) също и за предварителна оценка на вредното въздействие.

▲ПРЕДУПРЕЖДЕНИЕ: Използвайте предпазни средства за слуха.

▲ПРЕДУПРЕЖДЕНИЕ: Нивото на шума при работа с електрическия инструмент може да се различава от обявената(ите) стойност(и) в зависимост от начина на използване на инструмента, по-специално какъв детайл се обработва.

▲ПРЕДУПРЕЖДЕНИЕ: За дължително определете предпазни мерки за защита на оператора въз основа на оценка на риска в реални работни условия (като се вземат предвид всички етапи на работния цикъл, като например момента на изключване на инструмента, работата на празен ход, както и времето на задействане).

Вибрации

Общата стойност на вибрациите, определена съгласно ISO11148-13(ISO8662-11):
 Ниво на вибрациите (a_h): 5,7 m/s^2
 Коефициент на неопределеност (K): 1,5 m/s^2

ЗАБЕЛЕЖКА: Обявената(ите) обща(и) стойност(и) на вибрациите е(са) измерена(и) в съответствие със стандартни методи за изпитване и може да се използва(т) за сравняване на инструменти.

ЗАБЕЛЕЖКА: Обявената(ите) обща(и) стойност(и) на вибрациите може да се използва(т) също и за предварителна оценка на вредното въздействие.

▲ ПРЕДУПРЕЖДЕНИЕ: Нивото на вибрациите при работа с електрическия инструмент може да се различава от обявената(ите) стойност(и) в зависимост от начина на използване на инструмента, по-специално какъв детайл се обработва.

▲ ПРЕДУПРЕЖДЕНИЕ: задължително определете предпазни мерки за защита на оператора въз основа на оценка на риска в реални работни условия (като се вземат предвид всички етапи на работния цикъл, като например момента на изключване на инструмента, работата на празен ход, както и времето на задействане).

ЕО декларация за съответствие

Само за европейските страни

ЕО декларацията за съответствие е включена като Анекс А към тази инструкция за употреба.

ПРЕДУПРЕЖДЕНИЯ ЗА БЕЗОПАСНОСТ

Предупреждение за безопасност при работа с пневматичен пистолет за пирони/пневматичен телбод

▲ ПРЕДУПРЕЖДЕНИЕ: Прочетете всички предупреждения за безопасност и всички инструкции. При неспазване на предупрежденията и инструкциите може да се получи тежко нараняване, токов удар и/или пожар.

Запазете всички предупреждения и инструкции за справка в бъдеще.

За вашата лична безопасност и за правилната експлоатация и поддръжка на инструмента прочетете настоящото ръководство за експлоатация, преди да използвате инструмента.

Обща безопасност

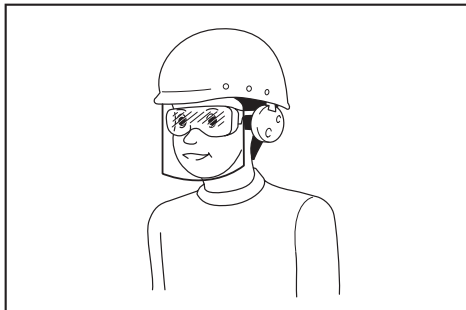
1. Всяка друга употреба, различна от употребата по предназначение, е забранена. Инструменти за забиване на закрепващи елементи със задействане чрез непрекъснат контакт или чрез контакт ще се използват само за производствени приложения.

2. Дръжте пръстите си настрана от спусъка, когато не работите с този инструмент и когато се местите от едно място на друго.
3. Много опасности. Прочетете и разберете инструкциите за безопасност преди свързване, откачане, натоварване, използване, техническо обслужване, смяна на принадлежности на инструмента или при работа в близост до него. В противен случай съществува опасност от тежко телесно нараняване.
4. Дръжте всички части на тялото, като ръце, крака и др., настрана от посоката на забиване и внимавайте закрепващият елемент да не премине през детайла в части на тялото.
5. Когато използвате инструмента, внимавайте закрепващият елемент да не се отклони и да предизвика нараняване.
6. Дръжте здраво инструмента и бъдете готови да посрещнете отката.
7. Инструментът за забиване на закрепващи елементи трябва да се използва само от оператори с технически опит.
8. Не модифицирайте инструмента за забиване на закрепващи елементи. Модификациите могат да намалят ефективността на мерките за безопасност и да увеличат опасностите за оператора и/или околните.
9. Не изхвърляйте ръководството за експлоатация.
10. Не използвайте инструмента, ако е повреден.
11. Внимавайте при боравенето със закрепващите елементи, особено когато ги зареждате и изваждате, понеже същите имат остри точки, които могат да причинят нараняване.
12. Преди работа винаги проверявайте инструмента за счупени, откачени или износени части.
13. Не се пресягайте. Използвайте го само на безопасно работно място. Стойте стабилно на краката си с добър баланс по всяко време.
14. Дръжте околните надалеч (когато работите в зона, където има вероятност за преминаване на хора). Маркирайте ясно вашата зона на работа.
15. Никога не насочвайте инструмента към вас самите или към други хора.
16. Не поставяйте пръста си върху спусъка, когато вземате инструмента, при преминаване между работните зони и позиции или ходите, понеже опирането на пръста върху спусъка може да доведе до неочаквано сработване. За инструменти с изборително задействане винаги проверявайте инструмента, за да се уверите, че е избран правилният режим.
17. Носете само ръкавици, които осигуряват адекватни сетивност и безопасно управление на спусъците и евентуалните устройства за регулиране.

18. Когато опирате инструмента, поставяйте го върху плоската повърхност. Ако използвате кука, комплектувана с инструмента, окачете надеждно инструмента върху стабилна повърхност.
19. Не работете под влиянието на алкохол, лекарствени средства и др. подобни.

Опасности от пробиващите елементи

1. Инструментът за забиване на закрепващи елементи се откача при изваждане на закрепващите елементи, при извършване на регулировки, освобождаване на засечки или смяна на принадлежности.
2. По време на работа внимавайте закрепващите елементи да проникват в материала правилно и да не могат да се огънат/изстрелят към оператора и/или към някой от околните.
3. По време на работа могат да изхвърчат остатъци от детайла и от системата за закрепване/съединяване.
4. Когато използвате електрически инструменти, винаги носете защитни очила, за да предпазите очите си от нараняване. Очилата трябва да съответстват на ANSI Z87.1 в САЩ, EN 166 в Европа или AS/NZS 1336 в Австралия/Нова Зеландия. Освен това, в Австралия/Нова Зеландия има законово изискване за носене на маска за защита на лицето.



Работодателят е длъжен да наложи използването на подходящи предпазни средства от операторите на инструментите и всички лица, намиращи се непосредствено в работната зона.

5. Опасностите за другите се оценяват от оператора.
6. Внимавайте с инструментите без контакт с детайла, понеже те могат да сработят непреднамерено и да наранят оператора и/или околните.
7. Погрижете се инструментът да е винаги опрян върху детайла и да не може да се плъзне.
8. Използвайте средства за защита на слуха, за да предпазите ушите си от шума и да предпазите главата си. Също така, носете леки, но не прекалено широки дрехи. Ръкавите трябва да бъдат закопчани или навити. Не трябва да се носи вратовръзка.

Опасности при работа

1. Дръжте инструмента правилно: имайте готовност за противодействие на нормални или внезапни движения, като например откат.
2. Поддържайте балансирано положение на тялото и стъпвайте стабилно.
3. Препоръчва се използване на подходящи предпазни очила, ръкавици и защитно облекло.
4. Трябва да се носят подходящи средства за защита на слуха.
5. Използвайте правилния енергиен носител, посочен в ръководството за експлоатация.
6. Не използвайте инструмента върху подвижни платформи или задната част на камиони. Внезапното движение на платформата може да наруши контрола върху инструмента и да доведе до нараняване.
7. Приемете, че инструментът винаги е зареден с крепежни елементи.
8. Не прибързвайте при работата и не насилвайте инструмента. Работете внимателно с инструмента.
9. Осигурете здрава опора на краката и поддържайте равновесие при работа с инструмента. Когато работите на високо, проверете дали няма някой отдолу и закрепете маркуча за въздух, за да предотвратите опасност в случай на внезапен тласък или закачване.
10. На покриви и други високи места, забивайте крепежните елементи, като се движите напред. Ако забивате пирони, докато се движите назад, можете лесно да загубите опора. Когато забивате крепежни елементи в перпендикулярна повърхност, работете отгоре надолу. По този начин забиването на крепежните елементи ще бъде по-малко уморително.
11. Ако по грешка ударите друг крепежен елемент или чеп в дървото, крепежният елемент може да се огъне или инструментът да засече. Крепежният елемент може да изхвърчи и да удари някого, или пък инструментът да реагира опасно. Поставяйте крепежните елементи внимателно.
12. Не оставяйте зареден инструмент или компресор за въздух под налягане за дълго време на открито под слънцето. Когато си тръгвате от работа се уверете, че в инструментa не може да проникне прах, пясък, стружки и чужди тела.
13. Не се опитвайте да забивате крепежни елементи едновременно отвътре и отвън. Крепежните елементи могат да се плъзнат и/или отскочат встрани, което е много опасно.

Опасности от повтарящи се движения

1. Когато инструментът се използва продължително време, операторът може да почувства дискомфорт в дланите, ръцете, раменете, врата и други част от тялото.
2. Докато използва инструмента, операторът трябва да заеме подходяща, но ергономична поза. Стъпвайте стабилно и избягвайте неудобни и небалансирани пози.

3. Ако операторът усети симптоми на упорит или повтарящ се дискомфорт, болка, пулсиране, изтръпване, вдървеност, усещане за парене и скованост, не пренебрегвайте тези предупредителни знаци. Операторът трябва да се консултира с квалифициран медицински специалист за всички дейности.
4. Продължителната употреба на инструмента може да предизвика повтарящо се локално нараняване в следствие на предизвикания от инструмента откат.
5. За да избегне нараняване от повтарящи се усилия, операторът не трябва да се претреса надалече или да използва прекомерна сила. Освен това операторът трябва да си почине, когато почувства умора.
6. Извършете оценка на риска по отношение на опасностите от повтарящи се движения. Тя трябва да се съсредоточи върху мускулно-скелетните нарушения и да се базира предимно върху предположението, че намаляването на умората по време на работа има ефект върху намаляването на нарушенията.

Опасности от принадлежности и консумативи

1. Разединете от инструмента енергийният носител, като например въздух, газ или акумулатор, в зависимост от случая, преди смяна/замяна на принадлежността, като контакт с детайла или извършване на евентуални настройки.
2. Използвайте само осигурените от производителя размери и типове принадлежности.
3. Използвайте само препоръчаните в това ръководство смазочни средства.

Опасности на работното място

1. Подхлъзване, препъване и падане са основните причини за наранявания на работното място. Внимавайте за хлъзгави повърхности, получени в следствие на инструмента, а също и за опасности от препъване в пневматичния маркуч.
2. Проявявайте допълнително внимание в непозната околна среда. Може да има скрити опасности, като например електрически и други комунални линии.
3. Този инструмент не е предназначаен за работа в потенциално взривоопасна атмосфера и не е изолиран срещу контакт с електрическо захранване.
4. Уверете се, че няма електрически кабели, газови тръби и др., които биха могли да създадат опасност, ако бъдат повредени при използване на инструмента.
5. Поддържайте работната зона чиста и добре осветена. Безпорядъкът и тъмнината предизвикват злополуки.
6. Възможно е да има местни разпоредби относно шума, които трябва да се спазват, като се поддържа ниво на шум в допустимите граници. В някои случаи трябва да се използват прегради, за да се заглуши шума.

Опасност от прах и изходящ въздух

1. Винаги проверявайте околната среда. Излизаният от инструмента въздух може да издуха прах или предмети и да удари оператора и/или околните.
2. Насочете изпускателния отвор по такъв начин, че да сведете до минимум вредното въздействие на праха в запрашена околна среда.
3. Ако в работната зона се изхвърлят прах или предмети, намалете емисията, колкото е възможно повече, за да намалите опасностите за здравето и риска от нараняване.

Опасности от шум

1. Излагането на въздействието на шум може да предизвика постоянна инвалидизираща загуба на слух и други проблеми, като например шум в ушите (звънене, бучене, свистене и бърмчене в ушите).
2. Извършете оценка на риска по отношение на опасностите от шума в работната зона и приложете подходящи мерки за намаляване на тези опасности.
3. Подходящи средства за намаляване на опасността може да включват действия, като например амортизиращи материали, които да предотвратят „бърмчене“ на детайлите.
4. Използвайте подходящи средства за защита на слуха.
5. Експлоатирайте и поддържайте инструмента съгласно препоръките в тези инструкции, за да предотвратите излишното увеличаване на нивата на шума.
6. Предприемете мерки за намаляване на шума например, като поставите обработваните детайли върху шумопоглъщащи опори.

Опасности от вибрации

1. Предаваните вибрации по време на работа зависят от силата на хващане, силата на контактен натиск, посоката на работа, регулирането на подаваната енергия, обработвания детайл, опората на обработвания детайл. Извършете оценка на риска по отношение на опасностите от вибрации и приложете подходящи мерки за намаляване на тези опасности.
2. Въздействието на вибрациите може да предизвика увреждане на нервите и кръвоснабдяването на дланите и ръцете.
3. Носете топли дрехи, когато работите в студено време, пазете дланите си топли и сухи.
4. Ако усетите скованост, изтръпване, болка или побледняване на кожата на пръстите или дланите си, потърсете медицинска помощ от квалифициран специалист по производствена медицина за всички дейности.
5. Експлоатирайте и поддържайте инструмента съгласно препоръките в тези инструкции, за да предотвратите излишното увеличаване на нивата на вибрациите.
6. Дръжте инструмента, без да го стискате, но безопасно, понеже опасността от вибрациите е по-голяма, когато силата на стискане е по-голяма.

Допълнителни предупреждения за пневматични инструменти

1. Сгъстеният въздух може да предизвика тежко нараняване.
2. Винаги спирайте въздуха и разединявайте инструмента от въздушната линия, когато не го използвате.
3. Винаги разединявайте инструмента от линията за сгъстен въздух преди смяна на принадлежности, извършване на регулировки и/или ремонти, при преместване от една на друга работна зона.
4. Дръжте пръстите си настрана от спусъка, когато не работите с инструмента и когато се местите от едно място на друго.
5. Никога не насочвайте сгъстения въздух към себе си или към някой друг.
6. Откачени маркучи със сгъстен въздух могат да причинят тежко нараняване. Винаги проверявайте за повредени или разхлабени маркучи или фитинги.
7. Никога не носете пневматичен инструмент за неговия маркуч.
8. Никога не влачете пневматичен инструмент за неговия маркуч.
9. Когато използвате пневматични инструменти, никога не превишавайте тяхното максимално работно налягане ps max.
10. Пневматичните инструменти трябва да се захранват със сгъстен въздух с най-ниското необходимо за работния процес налягане, за да се намалят шумът и вибрациите, и да се сведе до минимум износването.
11. Използването на кислород или запалими газове за задвижване на пневматични инструменти създава опасност от пожар и взрив.
12. Внимавайте при използването на пневматични инструменти, понеже инструментът може да стане студен, което влияе върху хващането и контрола върху него.

Допълнителни предупреждения за инструменти, които могат да се задействат при контакт



1. Не поставяйте пръста си върху спусъка, когато вземате инструмента, при преминаване между работните зони и позиции или ходите, понеже отпускането на пръста върху спусъка може да доведе до неочаквано сработване. За инструменти с изборително задействане винаги проверявайте инструмента, за да се уверите, че е избран правилният режим.
2. Инструментът е с изборително задействане за активиране при контакт или при непрекъснат контакт, или е инструмент с активиране при контакт или при непрекъснат контакт и е маркиран с горния символ. Неговата употреба по предназначение е за производствени приложения, като например палети, мебели, готови домове, облицовка и обшивка.

3. При използване на този инструмент в режим на изборително задействане винаги се грижете за това същият да бъде на правилната настройка за задействане.
4. Не използвайте този инструмент с активиране при контакт за приложения, като например затваряне на кутии или каси и монтиране на предпазни системи за транспорта на ремаркета и камиони.
5. Внимавайте при преместване от едно място на друго.

Предпазни устройства

1. Преди работа проверете дали всички защитни системи са в изправност. Инструментът не трябва да сработва, ако се натисне само спусъка или се натисне контактното рамо към дърво. Той трябва да сработва само при извършване едновременно и на двете действия. Изпробвайте за евентуални повреди без крепежни елементи и с издърпан докрай ударник.
2. Блокирането на спусъка в положение ON (ВКЛ.) е много опасно. Не се опитвайте да блокирате спусъка.
3. Не се опитвайте да блокирате контактния елемент, като го притискате със залепваща лента или тел. Има опасност за живота или от тежко нараняване.
4. Винаги проверявайте контактния елемент, както е указано в настоящото ръководство. Ако предпазителят не работи нормално, крепежните елементи могат да бъдат задействани по невнимание.

Сервизно обслужване

1. Почистете и обслужете инструмента непосредствено след приключване на работа. Поддържайте инструмента в пълна изправност. Смазвайте подвижните части, за да предотвратите ръждясване и да намалите износването поради триене. Избърсвайте всички части от прах.
2. За периодичните прегледи на инструмента се обръщайте към упълномощен сервиз на Makita.
3. За да се поддържа БЕЗОПАСНОСТТА и НАДЕЖНОСТТА на инструмента, обслужването и ремонтите трябва да се извършват от упълномощен сервиз на Makita, като се използват резервни части от Makita.
4. Спазвайте местните разпоредби при извършването на инструмента.

ЗАПАЗЕТЕ НАСТОЯЩИТЕ ИНСТРУКЦИИ.

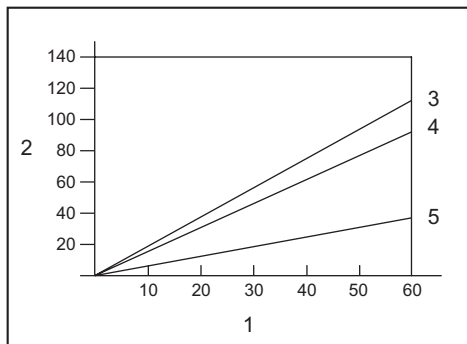
▲ПРЕДУПРЕЖДЕНИЕ: НЕ позволявайте комфорта от познаването на продукта (придобит при дългата му употреба) да замени стриктното спазване на правилата за безопасност за въпросния продукт. НЕПРАВИЛНАТА УПОТРЕБА и неспазването на правилата за безопасност, посочени в настоящото ръководство за експлоатация, могат да доведат до тежки наранявания.

ОПИСАНИЕ НА ЧАСТИТЕ

- **Фиг.1:** 1. Спусък 2. Контактен елемент
3. Селектор за режима на задействане
4. Пълнител 5. Кука

МОНТАЖ

Избор на компресор



1. Честота на забиване на пирони (бр./мин.) 2. Дебит на компресора за въздух в минута (л/мин.) 3. 0,83 МПа (8,3 бара) 4. 0,66 МПа (6,6 бара) 5. 0,49 МПа (4,9 бара)

Компресорът за състен въздух трябва да отговаря на изискванията на EN60335-2-34.

Изберете компресор с широк диапазон на налягането и дебит на въздух, осигуряващ рентабилна работа. На графиката е показано съотношението между честотата на забиване, приложимото налягане и дебита на въздух от компресора.

Така например, ако се забиват пирони със скорост около 60 броя в минута при налягане 0,83 МПа (8,3 бара), ще е необходим компресор с дебит на въздух над 110 литра в минута.

Трябва да се използват регулатори на налягане, за да се ограничи налягането на въздуха до номиналното налягане за инструмента, когато налягането на подавания въздух превишава номиналното налягане на инструмента. В противен случай има опасност от тежка телесна повреда на оператора или стоящите наблизо хора.

Избор на пневматичен маркуч

▲ВНИМАНИЕ: Ниският дебит на компресора или по-дълъг маркуч с по-малък диаметър спрямо честотата на забиване могат да доведат до намаляване на способността за забиване на пирони на инструмента.

► **Фиг.2**

Използвайте колкото може по-широк и по-къс маркуч, осигуряващ постоянно и ефикасно забиване на пироните.

При налягане на въздуха 0,49 МПа (4,9 бара) се препоръчва маркуч с вътрешен диаметър над 6,5 мм и дължина по-малко от 20 м, ако интервалът между забиването на два пирона е 0,5 секунди. Маркучите за подаване на въздух трябва да бъдат с номинално минимално работно налягане 1,03 МПа (10,3 бара) или 150 процента от създаването от системата максимално налягане, което от двете е по-голямо.

Смазване

► **Фиг.3**

За постигане на максимална ефективност монтирайте възможно най-близо до инструмента въздушен комплект (масльонка, регулатор, въздушен филтър). Регулирайте масльонката така, че да подава една капка масло на всеки 30 пирона.

Ако не се използва въздушен комплект, смазвайте инструмента с масло за пневматични инструменти, като сложите 2 (две) или 3 (три) капки масло във фитинга за въздух. Това трябва да се прави преди и след работа.

За правилно смазване трябва да стреляте няколко пъти с инструмента след вкарването на масло за пневматични инструменти.

► **Фиг.4:** 1. Масло за пневматични инструменти

ОПИСАНИЕ НА ФУНКЦИИТЕ

▲ВНИМАНИЕ: Преди да регулирате или да проверите действието на инструмента, винаги връщайте спусъка и блокиращия лост и разединявайте въздушния маркуч от инструмента.

Регулиране на дълбочината на забиване

▲ВНИМАНИЕ: Преди да регулирате дълбочината на забиване, винаги освобождавайте спусъка и разединявайте маркуча.

► **Фиг.5:** 1. Регулиращ елемент

За да регулирате дълбочината на забиване, завъртете регулатора.

Дълбочината на забиване е най-дълбока, когато регулаторът е завъртян докрай в посока А, показана на фигурата. Тя става по-плитка, когато регулаторът се завърти в посока В.

Ако пироните не могат да се забият достатъчно дълбоко, дори когато регулаторът е завъртян докрай в посока А, увеличете налягането на въздуха.

Ако пироните се забиват прекалено дълбоко, дори когато регулаторът е завъртян докрай в посока В, намалете налягането на въздуха.

По принцип експлоатационният срок на инструмента ще бъде по-дълъг, ако същият се използва при по-ниско налягане и регулаторът е настроен на по-голяма дълбочина на забиване.

Кука

⚠ВНИМАНИЕ: Преди да промените позицията на куката, винаги освобождавайте спусъка и разединявайте маркуча.

⚠ВНИМАНИЕ: Никога не окачвайте инструмента нависоко или на повърхност, която може да е нестабилна.

⚠ВНИМАНИЕ: Не закачайте куката на колана през кръста. Ако пистолетът за патрони падне, това може да доведе до случайно изстрелване и телесно нараняване.

► Фиг.6

► Фиг.7: 1. Кука 2. Болт с шестостенна глава
3. Отвор

Куката е удобна за временно окачване на инструмента.

За да промените позицията на куката, извадете болта с вътрешен шестостен и сменете посоката на куката. Куката има два отвора. Изберете единия от тях в зависимост от предпочитаната ширина на куката.

Регулиране на водача на покривни шиндри

► Фиг.8: 1. Контактен елемент 2. Водач
3. Покривна шиндра

► Фиг.9: 1. Пластина за настройка 2. Лост

Водачът на покривни шиндри е конструиран така, че да осигурява последователно поставяне на покривните шиндри.

Поставете покривната шиндра в желаната позиция. Завъртете лоста, за да освободите пластината за настройка. Регулирайте пистолета така че контактният елемент да натиска както поставяната шиндра, така и предходния ред шиндри. Плъзнете нагоре пластината за настройка спрямо долната страна на поставяната шиндра и върнете лоста на място, за да заключите пластината за настройка.

СГЛОБЯВАНЕ

⚠ВНИМАНИЕ: Преди да извършите някаква работа по инструмента, винаги връщайте спусъка и разединявайте въздушния маркуч от инструмента.

⚠ВНИМАНИЕ: Зареждайте пирони от един и същи тип, размер и дължина, когато зареждате пълнителя.

Зареждане на пистолета за пирони

БЕЛЕЖКА: Изберете пирони, подходящи за вида работа.

БЕЛЕЖКА: Регулирайте опорната пластина на спиралата в съответствие с използвания размер пирони. Ако работите с инструмента, докато опорната пластина на спиралата е регулирана на неправилна стъпка, това може да доведе до лошо подаване на пироните или неизправност на инструмента.

1. Натиснете фиксиращия лост и отворете капачката на пълнителя.

► Фиг.10: 1. Капак на пълнителя 2. Фиксиращ лост

2. Повдигнете и завъртете опорната пластина на спиралата така, че стрелката с размера на пироните, показана върху опорната пластина на спиралата, да сочи към съответната стъпка от скалата, обозначена върху пълнителя.

► Фиг.11: 1. Опорна пластина на спиралата
2. Скала 3. Стрелка

3. Поставете спиралата с пирони върху опорната пластина на спиралата. Развийте достатъчно пирони, за да стигнат до подаващата челюст. Поставете първия пирон в канала на крайника, а втория – в подаващата челюст. Поставете още развити пирони върху корпуса на подаващото устройство. Затворете капачката на пълнителя, след като се уверите, че спиралата с пирони е поставена правилно в пълнителя.

► Фиг.12: 1. Подаваща челюст

Свързване на маркуча за въздух

⚠ВНИМАНИЕ: Не опирайте пръста си върху спусъка, когато свързвате пневматичния маркуч.

► Фиг.13: 1. Фитинг за въздух 2. Въздушно съединение

Плъзнете въздушното съединение на маркуча върху фитинга за въздух на инструмента. Уверете се, че въздушното съединение се фиксира здраво на място, когато го свързвате към фитинга за въздух. На маркуча трябва да се постави съединение при инструмента или близо до него така, че нагнетателната камера да се изпразва при прекъсване на подаването на въздух.

Експлоатация

⚠ВНИМАНИЕ: Преди работа проверете дали всички системи за безопасност са в изправност.

Проверка на правилното действие преди експлоатация

Преди експлоатация винаги проверявайте следните точки.


- Уверете се, че инструментът не започва да работи само при свързване на маркуча за въздух.
- Уверете се, че инструментът не започва да работи само при натискане на спусъка.
- Уверете се, че инструментът не започва да работи само при поставяне на контактния елемент до работното изделие без натискане на спусъка.
- В режим на единично последователно задействане се уверете, че инструментът не работи, когато първо натиснете спусъка и след това поставите контактния елемент върху работното изделие.

Избиране на режим на работа

ВНИМАНИЕ: Преди забиването на пирони винаги се уверявайте, че селекторът за режим е установен в положение за желанния режим на забиване на пирони.


► Фиг.14: 1. Селектор за режима на задействане

Режим на единично последователно задействане:

В този режим можете да забивате един пирон при една последователна операция. Изберете този режим, когато забивате пирон внимателно и точно. За да изберете този режим, установете селектора за режим на задействане в позицията .

Режим на задействане при контакт:

Можете да забивате пирони един след друг чрез поставяне на контактния елемент при натиснат спусък.

За да изберете този режим, установете селектора за режим на задействане в позицията .

Единично последователно задействане

ВНИМАНИЕ: Не поставяйте контактния елемент към детайла прекалено силно. Дръпнете спусъка докрай и го задръжте 1-2 секунди след забиването на пилона.

Дори в режим на "Единично последователно задействане", наполовина натиснатият спусък води до неочаквано забиване, когато контактния елемент се допре отново върху работното изделие.

Поставете контактния елемент до работното изделие и натиснете спусъка докрай.

След забиване освободете контактния елемент и след това пуснете спусъка.

► Фиг.15

Задействане при контакт



Първо дръпнете спусъка, а след това да поставите контактния елемент в допир с детайла.

► Фиг.16

Отстраняване на заседнали пирони

ВНИМАНИЕ: Преди да отстраните заседнали пирони, винаги връщайте спусъка и разединявайте маркуча.

ВНИМАНИЕ: Не използвайте деформирани пирони или лента с пирони. Ако не го направите, това ще доведе до лошо подаване на пироните.

► Фиг.17: 1. Чук 2. Малка пръчка 3. Отвор за изхвърляне

Когато в пистолета заседне пирон, процедурийте по следния начин: Отворете капачката на пълнителя и извадете спиралата с пирони. Вкарайте малка пръчка или подобен предмет в отвора за изхвърляне и я чукнете с чук, за да извадите пилона, заклещен в отвора. Върнете спиралата с пирони на място и затворете капачката на пълнителя.

ПОДДРЪЖКА

ВНИМАНИЕ: Преди да се опитате да извършите проверка или техническо обслужване, винаги връщайте спусъка и разединявайте въздушния маркуч от инструмента.

БЕЛЕЖКА: Не използвайте бензин, бензол, разредител, спирт и други подобни освен ако това е посочено в инструкциите в това ръководство. Това може да причини обезцветяване, деформация или пукнатини.

Пирони

Работете внимателно със спиралите с пирони и тяхната кутия. При невнимателна работа със спиралите с пирони те може да се деформират, което да доведе до лошо подаване на пироните. Не съхранявайте пироните на много влажно или горещо място или на място, изложено на пряка слънчева светлина.

Почистване и отстраняване на смола и замърсявания

⚠ ВНИМАНИЕ: Винаги носете водоустойчиви ръкавици за защита на ръцете.

Прилепването на смола и замърсявания към зоните около контактният елемент ще попречи на плавното му движение (механизъм за безопасност) и ще предизвика неволно изстрелване. Почиствайте периодично зоните около контактният елемент.

Използвайте разтворител, например керосин, нафта №2 или дизелово гориво. Потопете в разтворителя само контактният елемент и зоните около отвора за изхвърляне и отстранете смолата и замърсяванията с помощта на четка.

► Фиг.18

БЕЛЕЖКА: Никога не потапяйте в разтворителя корпуса пълнителя и т.н. Може да се получи неизправност на инструмента.

ЗАБЕЛЕЖКА: Винаги изхвърляйте използвания разтворител по безопасен и благоразумен начин, в съответствие с изискванията на всички местни и национални правилници.

Техническо обслужване на инструмента за забиване на пирони

Преди работа задължително проверявайте общото състояние на инструмента, както и дали има хлабави болтове. Ако е необходимо, ги затегнете.

При откачен инструмент проверявайте ежедневно дали контактният елемент и спусъкът се движат свободно. Не използвайте инструмента, ако контактният елемент или спусъкът засядат или задират.

Ако оставяте инструмента, без да го ползвате за продължителен период, тогава го смажете с масло за пневматични инструменти и го съхранете на безопасно място. Избягвайте излагане на пряка слънчева светлина и/или влажна или гореща среда.

► Фиг.19

Поддръжка на компресора, въздушния комплект и маркуча за въздух

След работа винаги изпускате балона на компресора и въздушния филтър. Ако в инструмента проникне влага, работата му може да се влоши или да възникне повреда.

► Фиг.20: 1. Кран за източване

► Фиг.21: 1. Въздушен филтър

Проверявайте редовно дали има достатъчно пневматично масло в масльонката на въздушния комплект. Ако не се поддържа достатъчно добро смазване, О-пръстените ще се износят бързо.

► Фиг.22: 1. Масльонка 2. Масло за пневматични инструменти

Пазете маркуча за въздух далеч от топлина (над 60°C, над 140°F), далече от химикали (разредители, силни киселини или основи). Освен това прекарвайте маркуча далеч от препятствия, за които може опасно да се закачи по време на работа. Маркучите трябва да се насочат далеч от остри ръбове и зони, в които може да се повредят или изтрият.

За да се поддържа БЕЗОПАСНОСТТА и НАДЕЖДНОСТТА на продукта, ремонтите, поддръжката или регулирането трябва да се извършват от упълномощен сервиз или фабрични сервизни центрове на Makita, като винаги трябва да използвате резервни части от Makita.

ДОПЪЛНИТЕЛНИ АКСЕСОАРИ

⚠ ВНИМАНИЕ: Препоръчва се използването на тези аксесоари или крайници с вашия инструмент Makita, описан в настоящото ръководство. Използването на други аксесоари или крайници може да доведе до опасност от телесни повреди. Използвайте съответния аксесоар или крайник само по предназначение.

Ако имате нужда от помощ за повече подробности относно тези аксесоари, се обърнете към местния сервизен център на Makita.

- Пирони
- Пневматичен маркуч
- Предпазни очила

ЗАБЕЛЕЖКА: Някои артикули от списъка може да са включени в комплекта на инструмента, като стандартни аксесоари. Те може да са различни в различните държави.






SPECIFIKACIJE

Model:		AN454
Tiak zraka		0,49 – 0,83 MPa (4,9 – 8,3 bara)
Pričvršćivač	Vrsta	Čavli u redniku spojeni žicom (čavli za pričvršćivanje krovova)
	Duljina	19 mm – 45 mm
	Promjer	3,05 mm
Broj čavala		120 komada.
Ulje za pneumatski alat		ISO VG32 ili ekvivalentno
Minimalni promjer crijeva		6,5 mm
Dimenzije (D x Š x V)		256 mm x 117 mm x 271 mm
Neto težina		2,4 kg

- Zahvaljujući našem stalnom programu razvoja i istraživanja, navedene specifikacije podložne su promjenama bez obavijesti.
- Specifikacije mogu biti različite ovisno o zemlji.

Simboli

U nastavku su prikazani simboli koji se koriste za opremu. Prije korištenja se uvjerite da ste razumjeli njihovo značenje.

	Pročitajte priručnik s uputama.
	Nosite zaštitne naočale.
	Nosite zaštitu za uši.
	Alat može raditi u načinu kontaktnog zabijanja.
	Nemojte upotrebljavati na skelama i ljestvama.

Namjena

Alat je namijenjen za preliminarnu unutarnje radove poput pričvršćivanja podnih gredica ili krovnih letvica te elemenata okvira kod drvenih montažnih kuća dimenzija 2" x 4".

Alat je namijenjen isključivo za profesionalne primjene velikog obujma. Upotreba u druge svrhe zabranjena je. Nije namijenjen za zabijanje pričvršćivača izravno u tvrde površine kao što su čelik i beton.

Buka

Tipična jačina buke označena s A, određena sukladno ISO11148-13(EN12549):
 Razina tlaka zvuka (L_{pA}) : 102 dB (A)
 Razina snage zvuka (L_{WA}) : 113 dB (A)
 Neodređenost (K): 1,5 dB (A)

NAPOMENA: Deklarirana vrijednost emisije buke izmjerena je prema standardnoj metodi testiranja i može se rabiti za usporedbu jednog alata s drugim.

NAPOMENA: Deklarirana vrijednost emisije buke također se može rabiti za preliminarnu procjenu izloženosti.

⚠️UPOZORENJE: Nosite zaštitu za uši.

⚠️UPOZORENJE: Emisija buke tijekom stvarnog korištenja električnog ručnog alata se može razlikovati od deklariranih vrijednosti emisije, ovisno o načinu na koji se alat rabi, posebice ovisno o tome kakav se izradak izrađuje.

⚠️UPOZORENJE: Nemojte zaboraviti da identifikirate sigurnosne mjere zaštite rukovatelja koje se temelje na procjeni izloženosti u stvarnim uvjetima korištenja (uzimajući u obzir sve dijelove radnog ciklusa, poput vremena kada je alat isključen i kada on radi u praznom hodu, a također i vrijeme okidanja).

Vibracija

Ukupna vrijednost vibracija izračunata u skladu s ISO11148-13(ISO8662-11):
 Emisija vibracija (a_{h}) : 5,7 m/s²
 Neodređenost (K): 1,5 m/s²

NAPOMENA: Deklarirana vrijednost ukupnih vibracija izmjerena je prema standardnoj metodi testiranja i može se rabiti za usporedbu jednog alata s drugim.

NAPOMENA: Deklarirana vrijednost ukupnih vibracija također se može rabiti za preliminarnu procjenu izloženosti.

▲UPOZORENJE: Emisija vibracija tijekom stvarnog korištenja električnog ručnog alata se može razlikovati od deklariranih vrijednosti emisije, ovisno o načinu na koji se alat rabi, posebice ovisno o tome kakav se izradak izrađuje.

▲UPOZORENJE: Nemojte zaboraviti da identificirate sigurnosne mjere zaštite rukovatelja koje se temelje na procjeni izloženosti u stvarnim uvjetima korištenja (uzimajući u obzir sve dijelove radnog ciklusa, poput vremena kada je alat isključen i kada on radi u praznom hodu, a također i vrijeme okidanja).

Izjava o sukladnosti EZ

Samo za države članice Europske unije

Izjava o sukladnosti EZ u privitku je Priloga A ovih uputa za upotrebu.

SIGURNOSNA UPOZORENJA

Sigurnosna upozorenja za pneumatski pištolj za čavle/spajalice

▲UPOZORENJE: Pročitajte sva sigurnosna upozorenja i sve upute. Nepodržavanje upozorenja ili uputa može rezultirati ozbiljnim ozljedama, strujnim udarom i/ili požarom.

Sačuvajte sva upozorenja i upute radi kasnijeg korištenja.

Radi osobne sigurnosti te propisnog rada i održavanja alata, prije upotrebe alata pročitajte ovaj priručnik s uputama.

Opća sigurnost

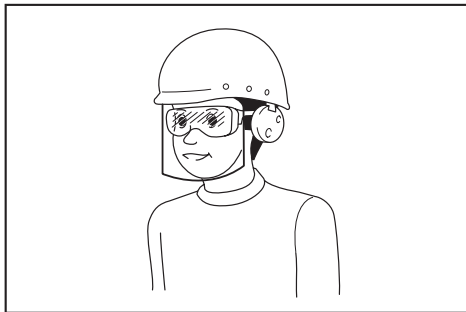
1. Svaka druga vrsta upotrebe, osim namijenjene, zabranjena je. Alati za zabijanje pričvršćivača s neprekidnim kontaktnim zabijanjem ili kontaktnim zabijanjem mogu se upotrebljavati isključivo u proizvodnim primjenama.
2. Kada alat ne upotrebljavate, ili prilikom pomicanja iz jednog radnog položaja u drugi, držite prste podalje od okidača.
3. Prijeti više opasnosti u takvom slučaju. S razmijevanjem pročitajte sigurnosne upute prije priključivanja, odvajanja, umetanja, rukovanja, održavanja, izmjene pribora na ili radu u blizini alata. Ako to ne učinite, može doći do teških tjelesnih ozljeda.

4. Držite sve dijelove tijela, primjerice ruke i stopala, podalje od smjera otpuštanja i pobrinite se da pričvršćivač ne može prodrijeti kroz izradak u dijelove tijela.
5. Napominjemo da se prilikom upotrebe alata pričvršćivač može savinuti i prouzročiti ozljede.
6. Čvrsto držite alat i budite pripravi na povratni moment spirale.
7. Alat za zabijanje pričvršćivača smiju upotrebljavati isključivo osposobljeni rukovatelji.
8. Ne izvodite preinake na alatu za zabijanje pričvršćivača. Preinake mogu smanjiti učinkovitost sigurnosnih mjera i povećati opasnost po rukovatelja i/ili slučajne prolaznike.
9. Zadržite priručnik s uputama.
10. Ne upotrebljavajte alat ako je oštećen.
11. Budite oprezni pri rukovanju pričvršćivačima, osobito prilikom umetanja i vađenja jer imaju oštre vrhove koji mogu prouzročiti ozljede.
12. Prije upotrebe alata uvijek provjerite ima li slomljenih, nepravilno priključenih ili istrošenih dijelova.
13. Ne približavajte se previše. Alat upotrebljavajte isključivo na sigurnom radnom mjestu. U svakom trenutku imajte odgovarajući oslonac i održavajte ravnotežu.
14. Držite prolaznike podalje od alata (prilikom rada na područjima gdje je velika vjerojatnost protoka velikog broja ljudi). Jasno označite radno područje.
15. Nemojte alat usmjeravati prema sebi ili drugima.
16. Ne držite prst na okidaču prilikom podizanja alata, promjene radnog područja ili položaja, kao ni prilikom hodanja, jer tako možete nehotično uključiti alat. Na alatima s mogućnošću odabira načina zabijanja uvijek provjerite alat prije upotrebe kako biste se uvjerali da je odobran ispravan način rada.
17. Nosite rukavice koje vam pružaju dobar osjećaj i omogućuju sigurnu kontrolu okidača i ostalih uređaja za prilagodbu.
18. Prilikom odlaganja alat položite na ravnu površinu. Ako upotrebljavate kuku isporučenu s alatom, čvrsto zakačite alat na stabilnoj površini.
19. Nemojte raditi ako ste pod utjecajem alkohola, droga ili nečeg sličnog.

Opasnost od projektila

1. Alat za zabijanje pričvršćivača potrebno je isključiti iz struje prilikom vađenja pričvršćivača, izvođenja prilagodbi, uklanjanja zaglavljenih pričvršćivača ili izmjene pribora.
2. Pri radu provjerite prodire li pričvršćivač pravilno kroz materijal, bez savijanja/slučajnog izbacivanja prema rukovatelju i/ili drugim slučajnim prolaznicima.
3. Pri radu može doći do izbacivanja otpadaka s izratka i iz sustava za pričvršćivanje/povezivanje.

4. Uvijek nosite zaštitne naočale kako biste zaštitili oči od ozljeđivanja električnim uređajima. Naočale moraju biti u skladu s normom ANSI Z87.1 u SAD-u, EN 166 u Europi ili AS/NZS 1336 u Australiji/Novom Zelandu. U Australiji/Novom Zelandu također je zakonski propisano nošenje maske za lice radi zaštite lica.



Poslodavac je odgovoran za provedbu mjere obveznog nošenja zaštitne opreme za rukovatelje i druge osobe u neposrednom radnom okruženju pri rukovanju alatom.

5. Rukovatelj opnujenjuje koliko je situacija opasna za druge.
6. Budite oprezni s alatima dok nisu u doticaju s izratkom jer se mogu nehotično aktivirati i ozlijediti rukovatelja i/ili slučajnog prolaznika.
7. Pobrinite se da alat bude sigurno položen na izradak i da ne može skliznuti.
8. Nosite zaštitu za uši radi zaštite ušiju od buke i zaštitu za glavu. Također nosite laganu i ne preširoku odjeću. Rukavi trebaju biti zakopčani ili zavrnuti. Ne smijete nositi kravatu.

Opasnosti pri radu

1. **Pravilno držite alat:** budite pripravi na ubodice ili nagle pokrete kao što je povratni moment spirale.
2. **Održavajte stabilan položaj tijela i čvrst oslonac pod nogama.**
3. **Preporučuje se upotreba prikladnih sigurnosnih naočala, rukavica i zaštitne odjeće.**
4. **Potrebno je nositi i odgovarajuću zaštitu za uši.**
5. **Upotrijebite ispravan izvor električne energije, sukladno priručniku s uputama.**
6. **Nemojte upotrebljavati alat na pomičnim platformama ni stražnjim dijelovima kamiona.** Naglo pomicanje platforme može prouzročiti gubitak kontrole nad alatom i ozljede.
7. **Uvijek pretpostavite da se u alatu nalaze pričvršćivači.**
8. **Ne žurite s poslom i ne preopterećujte alat.** Oprezno rukujte alatom.
9. **Pazite na svoj položaj i održavajte ravnotežu dok radite s alatom.** Prilikom rada na visini pazite da ispod vas ne bude drugih osoba i pričvrstite crijevo za zrak kako biste spriječili nezgodu ako dođe do iznenadnog udara ili zastoja.
10. **Na krovovima i drugim visokim mjestima pričvršćivače zavrćite krećući se prema naprijed.** Ako zavrćete pričvršćivače dok se krećete unatrag, lako možete izgubiti ravnotežu. Prilikom zavrtnja pričvršćivača na okomitu površinu zavrćite od vrha prema dnu. Tako ćete pričvršćivače zavrtnuti uz manje napora.

11. **Ako greškom zavrnete pričvršćivač na vrh drugog pričvršćivača ili naidete na čvor u drvetu,** pričvršćivač će se saviti ili će se alat zaglaviti. Pričvršćivač može odskočiti i nekoga ozlijediti ili može doći do opasne reakcije alata. Pažljivo postavljajte pričvršćivače.
12. **Napunjeni alat ili kompresor zraka nemojte ostavljati dulje vrijeme vani na suncu.** Pobrinite se da alat bude zaštićen od prašine, pijeska, strugotina i stranih predmeta na mjestu na kojemu ga ostavite.
13. **Pričvršćivače nikada nemojte pokušavati zavrtnuti istodobno s unutarnje i s vanjske strane.** Pričvršćivači mogu probiti materijal i/ili odletjeti, što predstavlja ozbiljnu opasnost.

Opasnosti uslijed ponavljajućih pokreta

1. **Prilikom dulje upotrebe alata, rukovatelj može osjetiti nelagodu u šakama, rukama, ramenima, vratu ili na drugim dijelovima tijela.**
2. **Pri upotrebi alata rukovatelj tijelo treba držati u prikladnom, ali ergonomskom položaju.** Treba održavati čvrst oslonac pod nogama i izbjegavati čudne položaje tijela koji ga mogu izbaciti iz ravnoteže.
3. **Ako se kod rukovatelja često ili opetovano javljaju simptomi nelagode, bolova, pulsiranja, trnci, osjećaj obamrlosti, pečenja ili zatezanja, te znakove nikako ne smije ignorirati.** Rukovatelj se u tom slučaju treba obratiti osposobljenom medicinskom radniku.
4. **Neprekidna upotreba alata može prouzročiti trzajnu ozljedu uslijed momenta spirale koji se javlja na alatu.**
5. **Kako bi se izbjegle ozljede zbog čestog ponavljanja iste radnje, rukovatelj se ne smije previše istežati niti upotrebljavati prekomjernu silu.** Osim toga, rukovatelj se treba odmoriti kada osjeti umor.
6. **Procijenite razinu rizika od ozljeda zbog čestog ponavljanja iste radnje.** Pri procjeni se usmjerite na mišićno-koštane smetnje i samu procjenu temeljite na pretpostavci da smanjenje umaranja pri radu učinkovito smanjuje mogućnost nastanka smetnji.

Opasnosti vezane uz pribor i potrošni materijal

1. **Isključite napajanje alata, primjerice dovod zraka, plina ili bateriju ako je primjenjivo, prije izmjene/zamjene pribora, primjerice onog u doticaju s izratkom, ili ako želite izvršiti neke prilagodbe.**
2. **Upotrebljavajte isključivo pribor obratizija i vrsta koje pruža proizvođač.**
3. **Upotrebljavajte isključivo maziva koja su preporučena u ovom priručniku.**

Opasnosti na radnom mjestu

1. **Klizanja, spoticanja i padovi najčešći su uzroci ozljeda na radnom mjestu.** Pripazite na sklizavost površina koje uzrokuju upotreba alata te opasnosti od spoticanja o, primjerice, crijevo za dovod zraka.
2. **Budite posebno oprezni u nepoznatim okruženjima.** Mogu postojati skrivene opasnosti, primjerice električne ili druge komunalne instalacije.

- Alat nije namijenjen za upotrebu u potencijalno eksplozivnim okruženjima i neizoliranim mjestima u doticaju s električnom energijom.
- Provjerite da nema električnih kabela, plinskih cijevi i sl. koje mogu prouzročiti opasnost ako se pri upotrebi alata oštete.
- Držite radno područje čistim i urednim. U neredu i mraku radna su područja izloženija nezgodama.
- Održavanje razine buke u propisanim granicama može biti određeno lokalnim zakonskim propisima. U nekim je slučajevima potrebno upotrijebiti zatvarače za ograničavanje buke.

Opasnosti od prašine i ispuha

- Uvijek provjerite svoje okruženje. Ispuh zraka iz alata može otpuhati prašinu ili predmete koji mogu udariti rukovatelja i/ili slučajnog prolaznika.
- Usmjerite ispuh tako da smanjite podizanje prašine u prašnjavom okruženju.
- Ako se prašina ili drugi objekti ispuštaju u radno područje, smanjite to ispuštanje u najvećoj mogućoj mjeri kako ne bi došlo do ugrožavanja zdravlja i povećane opasnosti od ozljeda.

Opasnost od buke

- Izlaganje visokim razinama buke bez zaštite može prouzročiti trajan gubitak sluha i druge probleme kao što su tinitus (zvonjava, zujanje, zviždanje ili šum u ušima).
- Procijenite razinu rizika povezanu s opasnom bukom u radnom području i primijenite odgovarajuće načine kontrole za suzbijanje takvih opasnosti.
- Prikladni načini za smanjenje opasnosti uključuju, primjerice postavljanje materijala za prigušenje koji sprječavaju „zvonjavu“ izratka.
- Upotrebljavajte odgovarajuću zaštitu za sluh.
- Kako biste spriječili nepotrebno povećanje razina buke, alat održavajte i njime rukujte sukladno preporukama iz ovih uputa.
- Poduzmite mjere za smanjenje buke, primjerice postavljanjem izradaka na oslonce sa zvučnom izolacijom.

Opasnosti od vibracija

- Razina vibracija pri upotrebi ovisi o sili hvatanja, potisnoj kontaktnoj sili, smjeru rada, prilagodbi energije za napajanje, izratku i osloncu izratka. Procijenite razinu rizika povezanu s opasnim vibracijama i primijenite odgovarajuće načine kontrole za suzbijanje takvih opasnosti.
- Izloženost vibracijama može oštetiti živce i cirkulaciju u šakama i rukama.
- Nosite toplu odjeću prilikom rada pri niskim temperaturama i neka vam ruke budu tople i suhe.
- Ako osjetite umrtvljenost, trnce ili bol, ili vam koža prstiju ili šake pobijeli, zatražite liječnički savjet od osposobljenog medicinskog radnika.
- Kako biste spriječili nepotrebno povećanje razina vibracija, alat održavajte i njime rukujte sukladno preporukama iz ovih uputa.

- Alat držite laganim ali sigurnim zahvatom jer je opasnost od vibracija obično veća što je veća sila zahvata.

Dodatna upozorenja za pneumatske alate

- Komprimirani zrak može prouzročiti ozbiljne ozljede.
- Uvijek prekinite dovod zraka i odvojite alat od dovoda zraka dok nije u upotrebi.
- Prije izmjene pribora, prilagodbi i/ili popravaka, ili premještanja iz radnog područja, alat uvijek odvojite od dovoda komprimiranog zraka.
- Kada alat ne upotrebljavate ili prilikom pomicanja iz jednog radnog položaja u drugi, držite prste podalje od okidača.
- Nikada ne usmjeravajte komprimirani zrak izravno prema sebi ili drugima.
- Crijeva koja se podižu i pomiču mogu prouzročiti ozbiljne ozljede. Uvijek provjerite ima li oštećenih ili labavih crijeva ili nastavaka.
- Pri nošenju pneumatski alat nikada nemojte hvatati za crijevo.
- Nikada nemojte vući pneumatski alat povlačeći ga za crijevo.
- Prilikom upotrebe pneumatskog alata nemojte prekoračiti najveći dopušteni radni tlak u ps.
- Pneumatske alate treba pokretati komprimirani zrak pri vrijednosti tlaka najnižoj za potrebni radni postupak kako bi se smanjuje razine buke i vibracija te trošenje samog alata.
- Upotreba kisika ili zapaljivih plinova za pokretanje pneumatskih alata uzrokuje opasnost od požara i eksplozije.
- Budite oprezni pri upotrebi pneumatskih alata jer se alat može ohladiti, što negativno utječe na hvatište i kontrolu.

Dodatna upozorenja za alate s mogućnošću kontaktnog zabijanja



- Ne držite prst na okidaču prilikom podizanja alata, promjene radnog područja ili položaja, kao ni prilikom hodanja, jer tako možete nehotično uključiti alat. Na alatima s mogućnošću odabira načina zabijanja uvijek provjerite alat prije upotrebe kako biste se uvjerali da je odabran ispravan način rada.
- Alat može omogućavati odabir načina kontaktnog zabijanja ili načina neprekidnog kontaktnog zabijanja, koji se odabiru putem birača načina zabijanja, ili može imati samo jedan od ta dva načina koji je označen gore prikazanim simbolom. Namijenjen je za upotrebu u proizvodnim primjenama, primjerice za palete, izradu namještaja, gradnju kuća, u tapetarstvu i oblaganju.
- Ako alat upotrebljavate u načinu selektivnog zabijanja, provjerite je li odabrana ispravna postavka zabijanja.

- Ne upotrebljavajte alat u načinu kontaktnog zabijanja za primjene kao što su zatvaranje kutija ili sanduka te montaža sigurnosnih sustava za transport na prikolicama i kamionima.
- Budite oprezni prilikom promjene smjera zabijanja.

Sigurnosni uređaji

- Prije početka rada provjerite jesu li svi sigurnosni sustavi u radnom stanju.** Alat se ne bi smio uključiti samo povlačenjem okidača ili pritiskanjem kontaktnog kraka o drvo. Trebao bi se uključiti samo ako se istodobno izvrše obje radnje. Provjerite moguću neispravnost dok nisu umetnuti pričvršćivači i dok je potiskivač u potpuno izvučenom položaju.
- Fiksiranje okidača u uključenom položaju ON također je iznimno opasno.** Nikada nemojte pokušati pričvrstiti okidač.
- Nemojte pokušavati držati kontaktni element pritisnutim pomoću trake ili žice.** Može doći do smrti ili ozbiljnih ozljeda.
- Uvijek provjerite kontaktni element prema uputama u ovom priručniku.** Ako sigurnosni mehanizam ne radi ispravno, može doći do slučajnog zavratanja pričvršćivača.

Servisiranje

- Čišćenje i održavanje obavite odmah nakon završetka posla.** Održavajte alat u bespriječnom stanju. Podmažite pokretne dijelove kako biste spriječili pojavu korozije, a habanje uzrokovano trenjem sveli na najmanju mjeru. Očistite prašinu sa svih dijelova.
- Za periodičku provjeru alata obratite se ovlaštenom servisnom centru Makita.**
- SIGURAN i POUZDAN rad alata zajamčen je samo ako popravke i održavanje prepustite ovlaštenom servisnom centru Makita i uz upotrebu originalnih rezervnih dijelova Makita.**
- Pridržavajte se lokalnih zakonskih propisa za zbrinjavanje alata.**

ČUVAJTE OVE UPUTE.

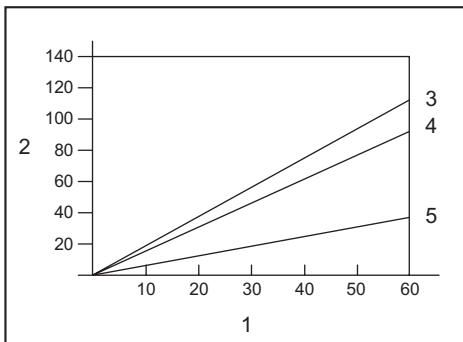
⚠ UPOZORENJE: NEMOJTE dozvoliti da udobnost ili znanje o proizvodu (stečeno stalnim korištenjem) zamijene strogo pridržavanje sigurnosnih propisa za određeni proizvod. ZLOUPORABA ili nepridržavanje sigurnosnih propisa navedenih u ovom priručniku s uputama mogu prouzročiti ozbiljne ozljede.

OPIS DIJELOVA

- **SI.1:** 1. Okidač 2. Kontaktni element 3. Birač načina zabijanja 4. Spremnik 5. Kuka za vješanje

INSTALACIJA

Odabir kompresora



1. Učestalost zabijanja čavala (kol./min) 2. Količina stvorenog zraka u kompresoru po minuti (L/min) 3. 0,83 MPa (8,3 bara) 4. 0,66 MPa (6,6 bara) 5. 0,49 MPa (4,9 bara)

Kompresor zraka mora biti u skladu sa zahtjevima smjernice EN60335-2-34.

Odaberite kompresor s dovoljnim tlakom i količinom stvorenog zraka koji osigurava isplativ rad. Grafikon prikazuje odnos između učestalosti zabijanja čavala, primjenjivog tlaka i količine stvorenog zraka u kompresoru. Tako, na primjer, ako zabijate brzinom od približno 60 puta u minuti uz kompresiju od 0,83 MPa (8,3 bara), potreban je kompresor koji osigurava stvorenu količinu zraka veću od 110 litara/min.

Regulatori tlaka moraju se upotrebljavati kako biste ograničili tlak zraka na nominalni tlak alata ako tlak dovedenog zraka premašuje nominalni tlak. U suprotnom može doći do ozbiljnih ozljeda korisnika alata ili osoba u blizini.

Odabir crijeva za zrak

⚠ OPREZ: Mala količina stvorenog komprimiranog zraka, dugo crijevo za zrak ili mali promjer crijeva za zrak u odnosu na učestalost zabijanja čavala mogu smanjiti radni kapacitet alata.

► SI.2

Upotrebljavajte što šire i što kraće crijevo za zrak kako biste osigurali neprekidno i učinkovito zabijanje čavala.

Za tlak zraka od 0,49 MPa (4,9 bara) preporučuje se crijevo za zrak unutarnjeg promjera većeg od 6,5 mm i duljine manje od 20 m kada je interval zabijanja čavala 0,5 sekundi.

Nazivna vrijednost radnog tlaka crijeva za dovod zraka treba iznositi minimalno 1,03 MPa (10,3 bara) ili 150 posto maksimalnog tlaka proizvedenog u sustavu, ovisno o tome koja je od tih vrijednosti viša.

Podmazivanje

► SI.3

Kako biste osigurali maksimalne performanse, komplet za zrak (podmazivač, regulator, filter zraka) postavite što bliže alatu. Podesite podmazivač tako da se jedna kap ulja ispusti na svakih 30 čavla.

Kada ne upotrebljavate komplet za zrak, alat podmažite uljem za pneumatski alat kapanjem 2 (dvije) ili 3 (tri) kapi ulja na mjesto za pričvršćivanje nastavka za zrak. Ovo je potrebno učiniti prije i nakon upotrebe.

Za pravilno podmazivanje alat je potrebno aktivirati nekoliko puta nakon podmazivanja.

► **SI.4:** 1. Ulje za pneumatski alat

FUNKCIONALNI OPIS

▲ OPREZ: Prije prilagodbe ili provjere rada alata uvijek vratite okidač u ispravan položaj i odvojite crijevo za zrak.

Podešavanje dubine zabijanja čavla

▲ OPREZ: Uvijek otpustite okidač i isključite crijevo prije prilagodbe dubine zabijanja.

► **SI.5:** 1. Podešavač

Dubinu zabijanja namjestite okretanjem kotačića za namještanje.

Dubina zabijanja najdublja je kada je kotačić za namještanje do kraja okrenut u smjeru A prikazanom na slici. Smanjuje se okretanjem kotačića za namještanje u smjeru B.

Ako čavle nije moguće dovoljno duboko zabiti, čak ni kada je kotačić za namještanje okrenut do kraja u smjeru A, povećajte tlak zraka.

Ako se čavli predbukobno zabijaju, čak i kada je kotačić za namještanje okrenut do kraja u smjeru B, smanjite tlak zraka.

Vijek trajanja alata općenito je dulji ako ga upotrebljavate s nižim tlakom zraka, a kotačić za namještanje postavite na veću dubinu zabijanja.

Kuka

▲ OPREZ: Uvijek otpustite okidač i isključite crijevo prije promjene položaja kuke.

▲ OPREZ: Nikad ne stavljajte alat na kuku na povišenom mjestu ili na potencijalno nestabilnu površinu.

▲ OPREZ: Ne vješajte kuku na pojas. Ako slučajno ispustite pištolj za čavle, može doći do nehotičnog aktiviranja pištolja i ozljeda.

► **SI.6**

► **SI.7:** 1. Kuka za vješanje 2. Šesterokutni nasadni vijak 3. Otvor

Kuka je praktična za privremeno vješanje alata.

Da biste promijenili položaj kuke, izvadite šesterokutni nasadni vijak i promijenite smjer kuke. Kuka ima dva otvora. Odaberite otvor ovisno o željenoj širini kuke.

Prilagodba elementa za pričvršćivanje šindre

► **SI.8:** 1. Kontaktni element 2. Element za pričvršćivanje šindre 3. Šindra

► **SI.9:** 1. Ploča za prilagodbu 2. Ručica

Element za pričvršćivanje šindre namijenjen je za osiguravanje ujednačenog omjera vidljivih i nevidljivih dijelova šindre.

Postavite šindru u željeni položaj. Okrenite ručicu kako biste otpustili ploču za prilagodbu. Postavite čavao tako da kontaktni element pritisne vidljivi dio šindre i prethodni red šindre. Klizno pomaknite ploču za prilagodbu uz donji dio vidljivog dijela šindre i vratite ručicu kako biste blokirali ploču za prilagodbu.

MONTAŽA

▲ OPREZ: Prije obavljanja zahvata na alatu okidač uvijek vratite u ispravan položaj i odvojite crijevo za zrak.

▲ OPREZ: Kada umećete više redova pribodnih čavlića u spremnik, upotrebljavajte pribodne čavliće iste vrste, veličine i duljine.

Punjenje pištolja za čavle

NAPOMENA: Odaberite čavle koji su odgovarajući za posao koji radite.

NAPOMENA: Postavite ploču za podupiranje spirale u skladu s veličinom čavla koji će se upotrebljavati. Ako alat upotrebljavate dok je ploča za podupiranje spirale namještena na pogrešnu mjeru, dodavanje čavala možda će biti neispravno ili može doći do kvara alata.

1. Pritisnite polugu zatvarača i otvorite poklopac spremnika.

► **SI.10:** 1. Poklopac spremnika 2. Poluga zatvarača

2. Podignite i okrenite ploču za podupiranje spirale tako da strelica s veličinom čavla koja je označena na ploči za podupiranje spirale pokazuje prema odgovarajućem stupnju gradacije označenom na spremniku.

► **SI.11:** 1. Ploča za podupiranje spirale 2. Gradacija 3. Strelica

3. Postavite spiralu s čavlima na ploču za podupiranje spirale. Razmotajte dovoljno čavala da dohvatite kuku za dodavanje. Prvi čavao umetnite u kanal, a drugi u kuku za dodavanje. Postavite ostale neodmotane čavle na kućište dodavača. Zatvorite poklopac spremnika nakon što provjerite je li spirala s čavlima pravilno postavljena u spremniku.

► **SI.12:** 1. Hvataljka za dodavanje

Povezivanje crijeva za zrak

⚠ OPREZ: Nemojte držati prst na okidaču dok priključujete crijevo za zrak.

► **SI.13:** 1. Priključak za zrak 2. Utičnica crijeva za zrak

Gurnite utičnicu crijeva za zrak u priključak za zrak na alatu. Provjerite je li utičnica crijeva za zrak prilikom postavljanja dobro sjela u priključku za zrak. Spojka crijeva mora biti postavljena na alatu ili blizu njega tako da spremnik pod tlakom bude ispražnjen u trenutku odvajanja spojke za dovod zraka.

RAD

⚠ OPREZ: Prije početka rada provjerite jesu li svi sigurnosni sustavi u radnom stanju.

Provjera funkcionalnosti prije početka rada

Prije početka rada uvijek provjerite sljedeće.


- Provjerite da alat ne počinje raditi u trenutku priključivanja crijeva za zrak.
- Provjerite da alat ne počinje raditi u trenutku povlačenja okidača.
- Provjerite da alat ne počinje raditi u trenutku postavljanja kontaktnog elementa na izradak bez povlačenja okidača.
- U načinu jednog uzastopnog zabijanja provjerite da alat ne počinje raditi ako je prvo povučen okidač, nakon čega je kontaktni element položen na izradak.

Odabir načina rada


⚠ OPREZ: Prije zabijanja uvijek provjerite je li birač načina zabijanja postavljen u željeni položaj.

► **SI.14:** 1. Birač načina zabijanja

Način s jednim uzastopnim zabijanjem:

Način za zabijanje jednog po jednog čavla. Ovaj način odaberite ako želite točno i precizno zabit svaki čavalo. Da biste odabrali ovaj način rada, birač načina zabijanja postavite u položaj .

Način kontaktnog zabijanja:

Način opetovanog zabijanja čavala postavljanjem kontaktnog elementa i držanjem okidača. Da biste odabrali ovaj način rada, birač načina zabijanja postavite u položaj .

Jedno uzastupno zabijanje

⚠ OPREZ: Ne postavljajte kontaktni element uz izradak primjenjujući preveliku silu. Također, povucite okidač do kraja i držite ga 1 – 2 sekunde nakon zabijanja čavla.

Čak i u načinu jednog uzastopnog zabijanja djelomično povlačenje okidača uzrokuje neželjeno zabijanje čavla kada kontaktni element ponovno dođe u kontakt s površinom.

Postavite kontaktni element uz izradak i do kraja povucite okidač. Nakon zabijanja otpustite kontaktni element, a zatim otpustite okidač.

► **SI.15**

Kontaktno zabijanje



Prvo povucite okidač, a zatim postavite kontaktni element na izradak.

► **SI.16**

Uklanjanje zaglavljenih čavala

⚠ OPREZ: Prije uklanjanja zaglavljenih čavala obavezno vratite okidač u ispravan položaj i odvojite crijevo.

⚠ OPREZ: Ne upotrebljavajte iskrivljene ili spojene redove čavala. U protivnom može doći do neispravnog umetanja čavala.

► **SI.17:** 1. Čekić 2. Mala šipka 3. Dno za izbacivanje

Kada se pištolj za čavle zaglavi, učinite sljedeće: Otvorite poklopac spremnika i izvadite spiralu s čavlima. Umetnite malu šipku ili nešto slično u dno za izbacivanje i lupnite je čekićem kako biste istisnuli zaglavljene čavle iz dijela za izbacivanje. Ponovo postavite spiralu s čavlima i zatvorite poklopac spremnika.

ODRŽAVANJE

⚠ OPREZ: Prije pregleda ili održavanja alata okidač uvijek vratite u ispravan položaj i odvojite crijevo za zrak.

NAPOMENA: Nikada nemojte upotrebljavati benzin, gorivo, razrjeđivač, alkohol ili slična sredstva, osim ako nije drugačije navedeno u ovom priručniku. Kao rezultat toga može se izgubiti boja, pojaviti deformacija ili pukotine.

Čavli

Oprezno rukujte spiralom s čavlima i njihovom kutijom. Ako grubo rukujete spiralom s čavlima, može se izobličiti, a to može prouzročiti nepravilno dodavanje čavala. Čavle nemojte čuvati na vlažnim ili vrućim mjestima ili na mjestima izloženima izravnoj sunčevoj svjetlosti.

Čišćenje i uklanjanje katrana i prljavštine

⚠ OPREZ: Uvijek nosite vodootporne rukavice za zaštitu ruku.

Prianjanje katrana i prljavštine na područje oko kontaktnog elementa onemogućit će neometano kretanje kontaktnog elementa (sigurnosnog mehanizma) i prouzročiti slučajno pražnjenje. Povremeno očistite područja oko kontaktnog elementa.

Upotrijebite otapalo, npr. kerozin, loživo ulje br. 2 ili dizelsko gorivo. U otapalo uronite samo kontaktni element i područja oko dna za izbacivanje te četkom uklonite katran i prljavštinu.

► **SI.18**

NAPOMENA: Nikada nemojte uranjati kućište, spremnik itd. u otapalo. Može doći do kvara alata.

NAPOMENA: Upotrijebljeno otapalo uvijek odložite na siguran i razuman način te u skladu sa zahtjevima lokalnog i nacionalnog zakonodavstva.

Održavanje pištolja za čavle

Prije početka rada uvijek provjerite opće stanje alata i zategnutost vijaka. Pravilno zategnite vijke.

Svakodnevno provjerite okreću li se slobodno kontaktni element i okidač kada alat nije priključen u struju. Alat nemojte koristiti ako se kontaktni element ili okidač zaglavljuju ili savijaju.

Ako alat dulje vrijeme ne namjeravate upotrebljavati, podmažite ga uljem za pneumatski alat i odložite na sigurno mjesto. Alat nemojte izlagati izravnoj sunčevoj svjetlosti, vlazi ili vrućini.

► SI.19

Održavanje kompresora, kompleta za zrak i crijeva za zrak

Nakon završetka rada uvijek ispraznite spremnik kompresora i zračni filter. Ako u alat dospije vlaga, može doći do smanjenja performansi i do kvara alata.

► SI.20: 1. Otvor za ispuštanje

► SI.21: 1. Zračni filter

Redovito provjeravajte ima li dovoljno pneumatskog ulja u podmazivaču u sklopu kompleta za zrak. Ako podmazivanje nije dovoljno, O-prsteni će se brzo istrošiti.

► SI.22: 1. Podmazivač 2. Ulje za pneumatski alat

Crijevo za zrak držite podalje od izvora topline (iznad 60 °C ili iznad 140 °F) te od kemikalija (razrjeđivač, jake kiseline ili baze). Također, crijevo ne smije prolaziti blizu prepreka o koje se tijekom rada može zaplesti. Crijeva moraju biti usmjerena podalje od oštrih rubova i mjesta na kojima se mogu oštetiti ili oguliti.

Da biste zadržali SIGURNOST I POUZDANOST proizvođača, održavanje ili namještanja trebali biste prepustiti ovlaštenim servisnim ili tvorničkim centrima tvrtke Makita; uvijek rabite originalne rezervne dijelove.

DODATNI PRIBOR

⚠ OPREZ: Ovaj dodatni pribor ili priključci preporučuju se samo za upotrebu s alatom Makita navedenim u ovom priručniku. Upotreba bilo kojeg drugog dodatnog pribora ili priključaka može prouzročiti ozljede. Upotrebljavajte dodatni pribor ili priključak samo za njegovu navedenu svrhu.

Ako vam je potrebna pomoć za više detalja u pogledu ovih dodatnih pribora, obratite se najbližem Makita servisnom centru.

- Čavli
- Crijevo za zrak
- Zaštitne naočale

NAPOMENA: Neke stavke iz popisa se mogu isporučiti zajedno sa strojem kao standardni dodatni pribori. Oni mogu biti različiti ovisno o zemlji.

СПЕЦИФИКАЦИИ

Модел:		AN454
Притисок на воздух		0,49 - 0,83 MPa (4,9 - 8,3 bar)
Спојка	Тип	Шајки на реденик од жица (шајки за кровови)
	Должина	19 мм - 45 мм
	Дијаметар	3,05 мм
Капацитет за шајки		120 парчиња.
Масло за пневматски алат		Според ISO VG32 или еквивалентно
Минимален дијаметар на црево		6,5 мм
Димензии (Д x Ш x В)		256 мм x 117 мм x 271 мм
Нето тежина		2,4 кг

- Поради нашата континуирана програма за истражување и развој, спецификациите тука подлежат на промена без најава.
- Спецификациите може да се разликуваат од држава до држава.

Симболи

Долунаведените симболи се користат кај опремата. Видете што значат пред да почнете да работите.



Прочитајте го упатството за користење.



Носете безбедносни очила.



Носете заштита за ушите.



Алатот има способност за работа во режим на контактно активирање.



Не користете на скелиња и скали.

НАПОМЕНА: Номиналната вредност(и) за емисија на бучава е измерена во согласност со стандардни методи за испитување и може да се користи за споредување алати.

НАПОМЕНА: Номиналната вредност(и) за емисија на бучава може да се користи и како прелиминарна процена за изложеност.

▲ПРЕДУПРЕДУВАЊЕ: Носете заштита за ушите.

▲ПРЕДУПРЕДУВАЊЕ: Емисијата на бучава при фактичкото користење на алатот може да се разликува од номиналната вредност(и), зависно од начинот на којшто се користи алатот, особено од тоа како вид работен материјал се обработува.

▲ПРЕДУПРЕДУВАЊЕ: Погрижете се да ги утврдите безбедносните мерки за заштита на лицето кое ракува со алатот врз основа на процена на изложеноста при фактичките услови на употреба (земајќи ги предвид сите делови на работниот циклус, како периодите кога електричниот алат е исклучен и кога работи во празен од, не само кога е активен).

Наменета употреба

Алатот е наменет за подготовка на ентериери, како и за фиксирање подни носачи или обични покривни носачи и конструкции во куќишта 2" x 4". Алатот е наменет само за професионална примена со голем волумен. Не користете го за други цели. Тој не е предвиден за придвижување на спојките директно на тврди површини како челик и бетон.

Бучава

Типична А-вредност за ниво на бучавата одредена во согласност со ISO11148-13(EN12549):
 Ниво на звучниот притисок (L_{pA}): 102 dB (A)
 Ниво на јачина на звукот (L_{WA}): 113 dB (A)
 Отстапување (K): 1,5 dB (A)

Вибрации

Вкупна јачина на вибрациите одредена во согласност со ISO11148-13(ISO8662-11):
 Ширење вибрации ($a_{h,r}$): 5,7 m/s^2
 Отстапување (K): 1,5 m/s^2

НАПОМЕНА: Вкупната вредност(и) на номиналната јачина на вибрациите е измерена во согласност со стандардни методи за испитување и може да се користи за споредување алати.

НАПОМЕНА: Вкупната вредност(и) на номиналната јачина на вибрациите може да се користи и како прелиминарна процена за изложеност.

▲ПРЕДУПРЕДУВАЊЕ: Јачината на вибрациите при фактичкото користење на алатот може да се разликува од номиналната вредност(и), зависно од начинот на којшто се користи алатот, особено од тоа како вид работен материјал се обработува.

▲ПРЕДУПРЕДУВАЊЕ: Погрижете се да ги утврдите безбедносните мерки за заштита на лицето кое ракува со алатот врз основа на процена на изложеноста при фактичките услови на употреба (земајќи ги предвид сите делови на работниот циклус, како периодите кога електричниот алат е исклучен и кога работи во празен од, не само кога е активен).

Декларација за сообразност од ЕУ

Само за земјите во Европа

Декларацијата за сообразност од ЕУ е вклучена во Додаток А од упатствата за корисникот.

БЕЗБЕДНОСНИ ПРЕДУПРЕДУВАЊА

Безбедносни предупредувања за пневматски пиштол за ковање/ хевталка

▲ПРЕДУПРЕДУВАЊЕ: Прочитајте ги сите безбедносни предупредувања и сите упатства. Ако не се почитуваат предупредувањата и упатствата, може да дојде до тешки повреди, струен удар и/или пожар.

Чувајте ги сите предупредувања и упатства за да може повторно да ги прочитате.

За лична безбедност и правилна работа и одржување на алатот, прочитајте го упатството пред да го користите алатот.

Општа безбедност

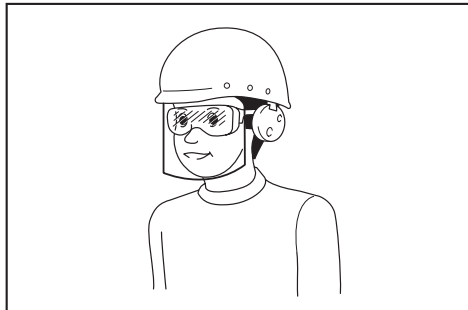
1. Секоја поинаква употреба освен онаа што е наменета за овој алат е забранета. Забивачите на спојки со континуирано контактено активирање или контактено активирање треба да се користат само за производни намени.
2. Држете ги прстите подалеку од прекинувачот кога не работите со алатот и кога се движите од една работна положба во друга.
3. Повеќе опасности. Прочитајте ги и разберете ги безбедносните упатства пред поврзување, исклучување, полнење, работа, одржување, промена на додаточите на алатот или работење во негова близина. Во спротивно, може да дојде до сериозна телесна повреда.

4. Држете ги сите делови од телото, како што се раце и нозе итн. подалеку од правецот на испукувањето и обезбедете спојката со работниот материјал да не навлезе во деловите од телото.
5. Кога го користите алатот, имајте предвид дека спојката може да се отргне и да предизвика повреда.
6. Држете го алатот цврсто и бидете подготвени да управувате со отскокнувањето.
7. Само технички квалификувани оператори треба да користат забивач на спојки.
8. Не модификувајте го забивачот на спојки. Модификациите може да ја намалат ефикасноста на безбедносните мерки и да ги зголемат опасностите за операторот и/или лицето што се наоѓа во близина.
9. Не фрлајте го упатството за употреба.
10. Не користете го алатот доколку е оштетен.
11. Бидете внимателни кога ракувате со спојките, особено кога ги полните или празните, бидејќи спојките имаат остри врвови што може да предизвикаат повреда.
12. Пред употреба, секогаш проверете го алатот во однос на кршени, погрешно поврзани или избени делови.
13. Не пресегајте предалеку. Користете го само на безбедно работно место. Одржувајте добра стабилност и рамнотежа со носете цело време.
14. Лицата што се наоѓаат во близина треба да се држат настрана (кога работите во област во која има можност да поминуваат луѓе). Јасно означете ја вашата работна област.
15. Никогаш не насочувајте го алатот кон себе или кон другите.
16. Не потпирајте го прстот на прекинувачот кога го земате алатот, кога се движите помеѓу работните области и положби или кога одите, бидејќи потпирањето на прстот на прекинувачот може да доведе до ненамерно работење. За алатите со селективно активирање, секогаш проверете го алатот пред употреба за да утврдите дали е избран точниот режим.
17. Носете само ракавици што обезбедуваат соодветно чувство и безбедна контрола на прекинувачите и сите уреди за нагодување.
18. Кога го потпирате алатот, спуштете го на рамна површина. Доколку ја користите куќата опремена со алатот, закачете го алатот безбедно на стабилна површина.
19. Не работете ако сте под влијание на алкохол, дроги или лекови.

Опасности од проектили

1. Забивачот на спојки треба да се исклучи кога спојките се празнат, кога се прават нагодувања, се чистат заглавувањата или се менуваат додаточите.
2. За време на работата, внимавајте спојките правилно да навлезат во материјалот и да не може да се придвижат/ненадејно испукаат кон операторот и/или лицата што се наоѓаат во близина.

3. За време на работата, може да се испразнат отпадоци од работниот материјал и системот за спојување/порамнување.
4. Секогаш носете заштитни очила за да ги заштитите очите од повреда кога користите електрични алати. Очилата мора да се усогласени со ANSI Z87.1 во САД, EN 166 во Европа или AS/NZS 1336 во Австралија/Нов Зеланд. Во Австралија/Нов Зеланд исто така постои законска обврска за носење штитник за лице за да си го заштитите лицето.



Работодавачот е одговорен дали операторите со алатот и другите лица за непосредната работна околина носат соодветна безбедносна заштитна опрема.

5. Опасностите за другите треба да ги процени операторот.
6. Бидете внимателни со алатите без допир со работниот материјал, бидејќи тие може ненадејно да се испукаат и да го повредат операторот или лицето што се наоѓа во близина.
7. Обезбедете алатот секогаш да е безбедно активиран на работниот материјал и да не може да се лизне.
8. Носете штитници за ушите за да ги заштитите од бучавата и за заштита на главата. Носете и лесна, но не широка облека. Ракавите треба да бидат закопчани или засукани. Не смее да се носи вратоврска.

Опасности при работата

1. Држете го алатот правилно: бидете подготвени да им се спротивставите на нормалните или ненадејните движења, како отскок.
2. Одржувајте балансирана позиција на телото и стабилна положба на нозете.
3. Треба да се користат соодветни заштитни очила, а се препорачуваат соодветни ракавици и заштитна облека.
4. Треба да се носи соодветна заштита на ушите.
5. Користете правилно напојување со енергија, како што е укажано во упатството за употреба.
6. Не користете го алатот на подвижни платформи или задниот дел од камиони. Ненадејното движење на платформата може да предизвика губење на контролата и да предизвика повреда.

7. Секогаш проверувајте дали има спојки во алатот.
8. Не брзајте во работењето и не силете го алатот. Внимателно работете со алатот.
9. Внимавајте каде газите и одржувајте добра рамнотежа со алатот. Внимавајте да нема никој под вас кога работите на високо и прицврстете го цревата за воздух за да спречите опасност ако има ненадејно сопнување или затегнување.
10. На покриви и други високи места, зашрафете ги спојките движејќи се напред. Лесно е да се лизнете ако зашрафувате спојки додека одите наназад. Кога зашрафувате спојки на вертикална површина, работете одозгора надолу. Така може да зашрафувате со помалку замор.
11. Спојката може да се извитка, а алатот може да се заглави ако по грешка зашрафите врз друга спојка или удриете во јазол на дрвото. Спојката може да се отфрли и да удри некого, а и алатот може да реагира опасно. Зашрафувајте внимателно.
12. Не оставајте го алатот полн или компресорот под притисок долго време на сонце. Внимавајте да не влезат прав, песок, парченца и други предмети во алатот на местото каде што го одлагате.
13. Не обидувајте се да зашрафувате спојки и однатре и однадвор истовремено. Спојките може да го пробријат материјалот или да се разлетаат и да предизвикаат голема опасност.

Опасности од повторливи движења

1. Кога го користи алатот во подолги периоди, операторот може да почувствува непријатност во дланките, рацете, рамениците, вратот или другите делови од телото.
2. Додека го користи алатот, операторот треба да усвои соодветен, но ергономски став. Одржувајте стабилна положба на нозете и одбегнувајте несмасни или неизбалансиран ставови.
3. Доколку операторот почувствува симптоми како постојана или периодична непријатност, болка, пулсирање, болење, треперење, вчочанетост, чувство на печење или здрвеност, не игнорирајте ги овие предупредувачки знаци. Операторот треба да се консултира со квалификувано медицинско лице во врска со вкупните активности.
4. Континуираното користење на алатот може да предизвика повреди од повторливо истегнување поради отскокнувањето што го создава алатот.
5. За да се избегнат повреди од повторливо истегнување, операторот не треба да пресега или да користи прекумерна сила. Покрај тоа, операторот треба да се одмори кога ќе почувствува замор.
6. Извршете проценка на ризикот во однос на опасностите од повторливи движења. Таа треба да се фокусира на мускулно-скелетните нарушувања и првенствено да се заснова на претпоставката дека намалувањето на заморот за време на работата е ефикасно во намалувањето на нарушувањата.

Опасности од додатоците и потрошниот материјал

1. Пред промена/замена на додатоците како контакт со работниот материјал или правење на какви било нагодувања, исклучете го напојувањето со енергија на алатот, како на пример воздух или гас, или, пак батеријата, во зависност од случајот.
2. Користете ги само големините и типовите додатоци што ги обезбедува производителот.
3. Користете само средства за подмачкување препорачани во ова упатство.

Опасности на работното место

1. Лизгањата, сопнувањата и паѓањата се главни причини за повреда на работното место. Внимавајте на лизгавите површини што се предизвикани од користењето на алатот и исто така на опасностите од сопнување, предизвикани од цревото за воздух.
2. Продолжете со дополнителна грижа во непознато окружување. Може да постојат скриени опасности, како на пример електрични или други водови.
3. Овој алат не е наменет за употреба во средини со потенцијална опасност од експлозија и не е изолиран од доаѓање во допир со електрична енергија.
4. Внимавајте да нема електрични кабли, цевки за плин итн. што може да предизвикаат опасност доколку се оштетени со употребата на алатот.
5. Користете чист и добро осветлен работен простор. Ако просторот е натрупан и темен, полесно може да се случи незгода.
6. Може да има локални прописи за нивото на бучавата што мора да се почитуваат. Во некои случаи треба да се користат ролетни за да се придуши бучавата.

Опасности од прав и испуштање воздух

1. Секогаш проверувајте го окружувањето. Воздухот што се испушта од алатот може да издува прав или предмети и да го удри операторот и/или лицата што се наоѓаат во близина.
2. Насочете го испустот, така што ќе се намали кревање прав во околина полна со прав.
3. Доколку се исфрла прав или објекти во работната област, намалете го исфрлањето колку е можно повеќе со цел намалување на опасностите по здравјето и ризикот од повреди.

Опасности од бучава

1. Незаштитеното изложување на високи нивоа на бучава може да предизвика трајно онеспособување, губење на слухот и други проблеми како тинитус (звонење, зуење, свркање или бучење во ушите).
2. Извршете процена на ризикот во однос на опасностите од бучава во работната област и применете соодветни контроли за тие опасности.

3. Соодветните контроли за намалување на опасноста може да вклучуваат дејства како материјали за амортизирање во спречувањето на работните материјали од „звонење“.
4. Користете соодветна заштита за ушите.
5. За спречување на непотребното зголемување на нивоата на бучава, работете и одржувајте го алатот како што е препорачано во овие упатства.
6. Преземете мерки за намалување на бучавата, на пример поставување на работниот материјал на површини што го придушуваат звукот.

Опасности од вибрации

1. Емисијата на вибрации за време на работата зависи од силата на зафаќање, силата на контактниот притисок, работната насока, нагодувањето на напојувањето со енергија, работниот материјал, поддршката на работниот материјал. Извршете процена на ризикот во однос на опасностите од вибрации и применете соодветни контроли за тие опасности.
2. Изложувањето на вибрации може да предизвика оштетување на нервите и снабдувањето со крв на рацете и нозете.
3. Кога работите во услови на студ, носете топла облека и чувајте ги рацете топли и суви.
4. Доколку почувствувате вкочанетост, пулсирање, болка или избелување на кожата на прстите или дланките, побарајте медицински совет од квалификувано лице од областа на медицината на трудот во врска со вкупните активности.
5. За спречување на непотребното зголемување на нивоата на вибрации, работете и одржувајте го алатот како што е препорачано во овие упатства.
6. Држете го алатот со лесен, но безбеден зафат, бидејќи опасноста од вибрации е воопшто поголема кога силата на зафатот е поголема.

Дополнителни предупредувања за пневматски алати

1. Компримиралиот воздух може да предизвика тешки повреди.
2. Секогаш исклучувајте го дотокот на воздух и исклучете го алатот од доток на воздух кога не се користи.
3. Секогаш исклучувајте го алатот од снабдувањето со компримиран воздух пред да менувате делови, правите нагодувања и/или поправки и кога се оддалечувате од работната област во некоја друга.
4. Држете ги прстите подалеку од прекинувачот кога не работите со овој алат и кога се движите од една работна положба во друга.
5. Никогаш не насочувајте го компримиралиот воздух кон себе или кон некој друг.
6. Цревата што се отргнуваат може да предизвикаат тешки повреди. Секогаш проверувајте ги оштетените или лабавите црева или монтажи.

7. Никогаш не носете го пневматскиот алат со неговото црево.
8. Никогаш не влечете го пневматскиот алат со неговото црево.
9. Кога користите пневматски алати, не надминувајте го максималниот работен притисок ps max.
10. Пневматските алати треба да се вклучени само со компримиран воздух на најнискиот притисок што е потребен за работниот процес, за редуцирање на бучавата и вибрациите и сведувањето на абелењето на минимум.
11. Користењето кислород и согорливи гасови за работата на пневматските алати создава опасност од пожар и експлозија.
12. Бидете внимателни кога користите пневматски алати, бидејќи алатот може да се излади и да влијае на зафатот и контролата.

Дополнителни предупредувања за алати со способност за контактното активирање



1. Не потпирајте го прстот на прекинувачот кога го земате алатот, кога се движите помеѓу работните области и положби или кога одите, бидејќи потпирањето на прстот на прекинувачот може да доведе до ненамерно работење. За алатите со селективно активирање, секогаш проверете го алатот пред употреба за да утврдите дали е избран точниот режим.
2. Овој алат има селективно активирање за контактното активирање или континуирано контактното активирање со избирачи на режим на активирање, или е алат со контактното активирање или континуирано контактното активирање. Во секој случај, симболот погоре е обележан на алатот. Неговите наменети употреби се за производни намени како палети, мебел, префабрикувани домови, тапаирање и обложување.
3. Доколку го користите алатов во режим на селективно активирање, секогаш осигурете се дека е со правилно поставување на активирањето.
4. Не користете го алатот во контактното активирање за намени како затворање кутии или сандачи и обезбедување превоз на безбедносни системи на приколки и камиони.
5. Бидете внимателни кога менувате од една на друга работна локација.

Безбедносни уреди

1. **Пред работата, проверете дали сите безбедносни системи се во исправна состојба.** Алатот не треба да работи ако е само повлечен прекинувачот или само ако потисниот елемент е притиснат на дрвото. Треба да работи само ако се извршени двете дејства. Испитајте го функционирањето со празен магацин и со притискаточот во целосно повлечена положба.
2. **Зацврстувањето на прекинувачот во положба ВКЛУЧЕНО е многу опасно.** Не обидувајте се да го прицврстите прекинувачот.
3. **Не обидувајте се да го задржите контактот притиснат со лента или жица.** Може да дојде до смрт или тешки повреди.
4. **Секогаш проверувајте го контактниот елемент како што е посочено во упатството.** Спојките може да се испукаат случајно ако безбедносниот механизам не работи правилно.

Сервисирање

1. **Чистењето и одржувањето треба да се врши по секоја работа.** Одржувајте го алатот во беспрекорна форма. Подмачкувајте ги подвижните делови за да спречите рѓосување и да го минимизирате абелењето поради триење. Избришете го сиот прав од деловите.
2. **Побарајте периодична проверка на алатот од овластените сервисни центри на Makita.**
3. **За да се одржи БЕЗБЕДНОСТА и СИГУРНОСТА на производот, одржувањето и поправките треба да се вршат во овластени сервисни центри на Makita, секогаш со резервни делови од Makita.**
4. **Следете ги локалните прописи кога го фрлате алатот во отпад.**

ЧУВАЈТЕ ГО УПАТСТВОТО.

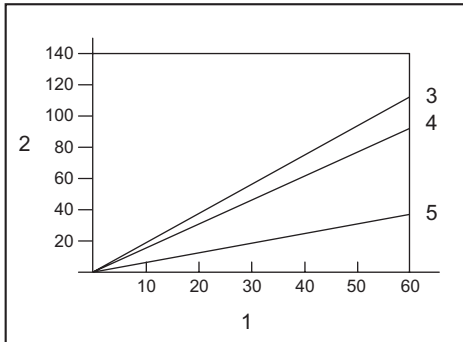
▲ПРЕДУПРЕДУВАЊЕ: НЕ ДОЗВОЛУВАЈТЕ удобноста или познавањето на производот (стекнати со подолга употреба) да ве наведат да не се придржувате строго до безбедносните правила за овој производ. ЗЛОУПОТРЕБАТА или непочитувањето на безбедносните правила наведени во ова упатство може да предизвикаат тешка телесна повреда.

ОПИС НА ДЕЛОВИТЕ

- Сл.1: 1. Прекинувач 2. Контактен елемент
3. Избирач на режим на активирање
4. Магацин 5. Кука

МЕСТЕЊЕ

Избирање компресор



1. Честота на ковање (пати/мин.) 2. Излезен воздух од компресорот во минута (Л/мин.) 3. 0,83 МПа (8,3 бар) 4. 0,66 МПа (6,6 бар) 5. 0,49 МПа (4,9 бар)

Компресорот за воздух мора да биде усогласен со условите на EN60335-2-34.

Изберете компресор што има доволен притисок и излез на воздух да обезбеди економична работа. Графиконот го покажува соодносот меѓу честотата на ковањето, потребниот притисок и излезниот воздух од компресорот.

Така, на пример, ако се кова отприлика 60 пати во минута, при компресија од 0,83 МПа (8,3 бар), потребен е компресор со излезен воздух поголем од 110 литри/минута.

Треба да се користат контролите за притисокот за да се ограничи воздушниот притисок кога притисокот на доводот на воздух го надминува номиналниот притисок на алатот. Инаку може да дојде до тешки повреди на операторот на алатот или лицата во близина.

Избирање црево за воздух

ВНИМАНИЕ: Слаб излезен воздух од компресорот, долго или црево со помал пречник во однос на честотата на ковањето може да предизвикаат намалување на силата на алатот.

► Сл.2

Користете црево за воздух што е можно поголемо и покусо за да се обезбеди непрекинато и ефикасно заковување.

Со притисок на воздух од 0,49 МПа (4,9 бар), црево за воздух со внатрешен пречник поголем од 6,5 мм и должина помала од 20 м се препорачува кога периодот меѓу заковувањата е 0,5 секунди. Цревата за доток на воздух треба да имаат минимален работен притисок во рамките на 1,03 МПа (10,3 бар) или 150 проценти од максималниот притисок што се создава во системот, кој и да е повисок.

Подмачкување

► Сл.3

За да се обезбедат максимални перформанси, монтирајте воздушен комплет (подмачкувач, регулатор, филтер за воздух) што е можно поблизу до алатот. Дотерајте го подмачкувачот така што една капка масло ќе капе на секои 30 шајки.

Кога не се користи воздушен комплет, подмачкајте го алатот со масло за пневматски алат со ставање 2 (две) или 3 (три) капки во приклучокот за воздух. Тоа треба да се направи пред и по употреба.

За правилно подмачкување, треба да се испука неколкупати со алатот, откако ќе се стави масло за пневматски алати.

► Сл.4: 1. Масло за пневматски алат

ОПИС НА ФУНКЦИТЕ

ВНИМАНИЕ: Пред нагодување или проверка на функционирањето на алатот, секогаш вратете го прекинувачот и исклучете го црево за воздух од алатот.

Приспособување длабочина на ковањето

ВНИМАНИЕ: Секогаш ослободувајте го прекинувачот и откачувајте го црево за воздух пред да ја нагодите длабочината на заковувањето.

► Сл.5: 1. Регулатор

За да ја нагодите длабочината на заковување, свртете го регулаторот.

Длабочината на заковување е најдлабока кога регулаторот е целосно свртен во насока А како што е прикажано на сликата. Таа ќе станува поплитка со вртење на регулаторот во насока Б.

Ако шајките не се забиваат доволно длабоко дури и кога регулаторот е целосно свртен во насока А, зголемете го воздушниот притисок.

Ако шајките се забиваат премногу длабоко кога регулаторот е целосно свртен во насока Б, намалете го воздушниот притисок.

Општо земено, векот на траење на алатот ќе биде подолг кога алатот се користи со понизок притисок и регулаторот е поставен на поголема длабочина на заковување на шајките.

Кука

ВНИМАНИЕ: Секогаш ослободувајте го прекинувачот и откачувајте го црево за воздух пред да ја промените позицијата на куката.

ВНИМАНИЕ: Никогаш не закачувајте го алатот на високо место или на потенцијално нестабилна површина.

ВНИМАНИЕ: Не закачувајте ја куката на ременот за појас. Доколку пиштолот за ковање ненамерно падне, може да дојде до ненадејно пукање и телесни повреди.

► Сл.6

► Сл.7: 1. Кука 2. Завртка со имбус-глава 3. Отвор

Куката е практична за привремено закачување на алатот.

За да ја промените позицијата на закачувањето, отстранете ја завртката со имбус-глава и променете ја насоката на куката. Куката има два отвори. Изберете го отворот во зависност од претпочитаната ширина на отворот.

Нагодување на шиндрата-водилка

► Сл.8: 1. Контактен елемент 2. Шиндра-водилка 3. Шиндра

► Сл.9: 1. Нагодувачка плоча 2. Лост

Шиндрата-водилка е наменета за доследно изложување на шиндрата.

Поставете ја шиндрата во саканата позиција. Свртете лостот за да ја ослободите нагодувачката плоча. Поставете го пиштолот така што контактниот елемент ќе ги притисне изложената шиндра и претходниот ред од шиндрата. Лизгајте ја нагодувачката плоча на дното од изложената шиндра и вратете го лостот да ја блокира нагодувачката плоча.

СОСТАВУВАЊЕ

▲ВНИМАНИЕ: Пред да извршите каква било работа на алатот, секогаш вратете го прекинувачот и исклучете го цревето за воздух од алатот.

▲ВНИМАНИЕ: Наполнете ист вид, големина и константна должина на шајки кога полните шајки во магацинот.

Полнење на пиштолот за ковање

ЗАБЕЛЕШКА: Изберете шајки соодветни за работата.

ЗАБЕЛЕШКА: Поставете го држачот на реденикот е во согласност со големина на шајката што треба да се користи. Ако со алатот се работи со држач за реденикот поставен на погрешен чекор, може да дојде до слабо редење на шајките или неправилно работење.

1. Притиснете го лостот на затворамот и отворете го капачето на магацинот.

► Сл.10: 1. Капаче на магацинот 2. Лост на затворамот

2. Подигнете го и свртете го држачот на реденикот така што стрелката со големина на шајката означена на држачот на реденикот ќе покажува кон соодветното зголемување на градацијата означено на магацинот.

► Сл.11: 1. Држач на реденикот 2. Градација 3. Стрелка

3. Ставете го реденикот со шајки врз држачот за реденикот. Одвиткајте доволно шајки да дојде до канцата за полнење. Ставете ја првата шајка во каналот и втората во канцата за полнење. Ставете други одвиткани шајки на телото на полначот. Затворете ги капачето на магацинот откако ќе проверите да видите дали реденикот со шајки е правилно поставен во магацинот.

► Сл.12: 1. Клешта за дополнување

Поврзување црево за воздух

▲ВНИМАНИЕ: Не ставајте го прстот на прекинувачот при поврзување на цревето за воздух.

► Сл.13: 1. Приклучок за воздух 2. Приклучна спојка за воздух

Лизнете ја приклучната спојка за воздух од цревето на приклучокот за воздух на алатот. Уверете се дека приклучната спојка за воздух цврсто се блокира на место кога ќе се монтира на приклучокот за воздух. На или блиску до алатот треба да има монтирана спојка за црево, така што резервоарот за притисок ќе се празни кога ќе се откачи спојката за доток на воздух.

РАБОТЕЊЕ

▲ВНИМАНИЕ: Пред работата, проверете дали сите безбедносни системи се во исправна состојба.

Проверка на правилна функција пред работа

Пред работата, секогаш проверувајте ги следниве точки.

- Осигурете се дека алатот не работи со самото поврзување на цревето за воздух.
- Осигурете се дека алатот не работи со самото повлекување на прекинувачот.
- Осигурете се дека алатот не работи со самото поставување на контактниот елемент на работниот материјал, без да го повлечете прекинувачот.
- Во режимот на единечно секвенцијално придвижување, осигурете се дека алатот работи само кога прво ќе го повлечете прекинувачот, а потоа ќе го ставите контактниот елемент на работниот материјал.

Избирање на работниот режим

▲ВНИМАНИЕ: Пред да заковувате, секогаш обезбедете избирачот на режим на активирање соодветно да е поставен во позиција на саканиот режим на заковување.

► **Сл.14:** 1. Избирач на режим на активирање

Режим на единечно секвенцијално придвижување:

Може да заковувате една шајка со една секвенцијална операција. Изберете го овој режим при точно и прецизно заковување шајки. За да го изберете овој режим, поставете го избирачот на режимот на активирање на позиција **1**.

Режим на контактно активирање:

Шајките може да ги придвижувате повторно, поставувајќи го контактниот елемент со задржан прекинувач. За да го изберете овој режим, поставете го избирачот на режимот на активирање на позиција **1**.

Единечно секвенцијално придвижување

▲ВНИМАНИЕ: Не ставајте го контактниот елемент на работниот материјал со прекумерна сила. Исто така, целосно повлечете го прекинувачот и задржете 1-2 секунди по ковањето.

Дури и во режимот „Единечно секвенцијално придвижување“, половично повлечен прекинувач предизвикува ненадејно ковање кога контактниот елемент ќе го допре работниот материјал.

Ставете го контактниот елемент на работниот материјал и целосно повлечете го прекинувачот. По ковањето, отпустете го контактниот елемент, а потоа отпустете го прекинувачот.

► **Сл.15**

Контактно придвижување



Првин повлечете го прекинувачот, а потоа ставете го контактниот елемент на работниот материјал.

► **Сл.16**

Отстранување заглавени шајки

▲ВНИМАНИЕ: Пред да ги отстраните заглавените шајки, секогаш вратете го прекинувачот и исклучете го цревето.

▲ВНИМАНИЕ: Не користете криви шајки или лента за шајки. Во спротивно, може да дојде до отежнато додавање шајки.

► **Сл.17:** 1. Чекан 2. Мала шипка 3. Отвор за исфрлање

Кога пиштолот ќе се заглави, постапете вака: Отворете го капачето на магацинот и отстранете го реденикот со шајки. Вметнете мала шипка или слично во отворот за исфрлување и потчукнете ја со чекан за да ја избиете заглавената шајка од отворот за исфрлување. Поставете го повторно реденикот со шајки и затворете го капачето на магацинот.

ОДРЖУВАЊЕ

▲ВНИМАНИЕ: Пред да се обидете да извршите проверка или одржување, секогаш враќајте го прекинувачот и исклучувајте го цревето за воздух од алатот.

ЗАБЕЛЕШКА: Никогаш не користете бензин, бензол, разредувач, алкохол или слично, освен ако не е посочено поинаку во прирачникот. Тие средства ја вадат бојата и може да предизвикаат деформации или пукнатини.

Шајки

Внимателно ракувајте со редениците со шајки и нивните кутии. Ако со редениците со шајки се ракувало грубо, може да се деформирани, што ќе предизвика нивно послабо доставување. Избегнувајте чување на шајките на многу влажно или жешко место или на директно сонце.

Чистење и отстранување на катран и нечистотија

▲ВНИМАНИЕ: Секогаш носете водоотпорни ракавици за да ги заштитите вашите раце.

Адхезијата на катран и нечистотија во областите околу контактниот елемент ќе спречи непречено движење на контактниот елемент (безбедносен механизам), предизвикувајќи случајно празнење. Периодично чистете ги областите околу контактниот елемент.

Користете растворувач како керозин, #2 гориво или дизел гориво. Потопувајте ги во растворувач само контактниот елемент и областите околу отворот за исфрлање и отстранете ги катранот и нечистотијата со четка.

► **Сл.18**

ЗАБЕЛЕШКА: Никогаш не потопувајте ги куквиштето, магацинот итн. во растворувач. Може да дојде до дефект на алатот.

НАПОМЕНА: Секогаш фрлајте го искористениот растворувач на безбеден и претпазлив начин и во согласност со сите локални и национални кодни барања.

Одржување на заковувачот

Секогаш проверувајте ја општата состојба на алатот и сите завртки пред да работите со него. Затегнете по потреба.

Кога алатот не е приклучен, секојдневнo проверувајте дали контактниот елемент и прекинувачот се движат слободно. Не користете го алатот ако контактниот елемент или прекинувачот се заглавуваат или се лепат.

Кога алатот нема да се користи подолго време, подмачкајте го алатот со масло за пневматски алати и одложете го на безбедно место. Избегнувајте изложување на директно сонце и/или влажна и топла средина.

► **Сл.19**

Одржување на компресорот, комплетот за воздух и цревето за воздух

По работата, секогаш испразнете ги резервоарот на компресорот и филтерот за воздух. Доколку се дозволи навлегување влага во алатот, може да дојде до лошо работење и, потенцијално, до дефект на алатот.

► **Сл.20:** 1. Испусен вентил

► **Сл.21:** 1. Филтер за воздух

Редовно проверувајте дали има доволно пневматско масло во подмачкувачот на комплетот за воздух. Ако не се одржува доволно подмачкување, О-прстените ќе се абат брзо.

► **Сл.22:** 1. Подмачкувач 2. Масло за пневматски алат

Цревето за воздух треба да се чува подалеку од топлина (над 60°C, над 140°F) и од хемикалии (разредувач, јаки киселини или алкални супстанции). Исто така, поставувајте го цревето подалеку од пречки во кои може да се заплетка при работата, предизвикувајќи опасност. Цревата треба да бидат и подалеку од остри рабови и области што може да доведат до оштетувања или гребење на цревето.

За да се одржи БЕЗБЕДНОСТА и СИГУРНОСТА на производот, поправките, одржувањата или дотерувањата треба да се вршат во овластени сервисни или фабрички центри на Makita, секогаш со резервни делови од Makita.

ОПЦИОНАЛЕН ПРИБОР

⚠ ВНИМАНИЕ: Овој прибор или додатоци се препорачуваат за користење со алатот од Makita дефиниран во упатството. Со користење друг прибор или додатоци може да се изложите на ризик од телесни повреди. Користете ги приборот и додатоците само за нивната назначена намена.

Ако ви треба помош за повеќе детали за приборот, прашајте во локалниот сервисен центар на Makita.

- Шајки
- Црево за воздух
- Заштитни очила

НАПОМЕНА: Некои ставки на листата може да се вклучени со алатот како стандарден прибор. Тие може да се разликуваат од држава до држава.

ТЕХНИЧКИ ПОДАЦИ

Модел:		AN454
Ваздушни притисак		0,49 – 0,83 МПа (4,9 – 8,3 бара)
Причвршћивач	Тип	Жичани спирални ексери (ексери за кровове)
	Дужина	19 мм – 45 мм
	Пречник	3,05 мм
Капацитет ексера		120 комада
Уље за пнеуматски алат		ISO VG32 или еквивалентно
Минимални пречник црева		6,5 мм
Димензије (Д x Ш x В)		256 мм x 117 мм x 271 мм
Нето тежина		2,4 кг

- Због нашег непрестаног истраживања и развоја задржавамо право измена наведених спецификација без претходне најаве.
- Спецификације могу да се разликују у различитим земљама.

Симболи

Доле су приказани симболи који се односе на алат. Пре прве употребе обавезно се упознајте са њиховим значењем.



Прочитајте упутство за употребу.



Носите заштитне наочаре.



Носите заштитне слушалице.



Овај алат може радити у режиму активирања на додир.



Не користите скеле и мердевине.

Намена

Овај алат је намењен за припремне унутрашње радове као што је причвршћивање патосних греда или кровних греда и уоквиравање у кућама изграђеним од греда димензија 2" x 4".

Алат је намењен само за професионалну употребу. Немојте га користити у друге сврхе. Није предвиђен за директно постављање причвршћивача на чврсте површине попут челика и бетона.

Бука

Типичан А-пондерисани ниво буке одређен је према стандарду ISO11148-13(EN12549):
 Ниво звучног притиска (L_{pA}): 102 dB (A)
 Ниво звучне снаге (L_{WA}): 113 dB (A)
 Несигурност (K): 1,5 dB (A)

НАПОМЕНА: Декларисане вредности емисије буке су измерене према стандардизованом мерном поступку и могу се користити за упоређивање алата.

НАПОМЕНА: Декларисана вредност емисије буке се такође може користити за прелиминарну процену изложености.

▲УПОЗОРЕЊЕ: Носите заштитне слушалице.

▲УПОЗОРЕЊЕ: Емисије буке током стварне примене електричног алата могу се разликовати од декларисане вредности у зависности од начина на који се користи алат, а посебно која врста предмета се обрађује.

▲УПОЗОРЕЊЕ: Уверите се да сте идентификовали безбедносне мере за заштиту руковаоца које су засноване на процени изложености у стварним условима употребе (узимајући у обзир све делове радног циклуса, као што је време рада уређаја, али и време када је алат искључен и када ради у празном ходу).

Вибрације

Укупна вредност вибрација одређена је према ISO11148-13(ISO8662-11):

Вредност емисије вибрација ($a_{h\alpha}$): 5,7 m/c^2
 Несигурност (K): 1,5 m/c^2

НАПОМЕНА: Декларисане укупне вредности вибрација су измерене према стандардизованом мерном поступку и могу се користити за упоређивање алата.

НАПОМЕНА: Декларисане укупне вредности вибрација се такође могу користити за прелиминарну процену изложености.

▲УПОЗОРЕЊЕ: Вредност емисије вибрација током стварне примене електричног алата може се разликовати од декларисане вредности у зависности од начина на који се користи алат, а посебно која врста предмета се обрађује.

▲УПОЗОРЕЊЕ: Уверите се да сте идентификовали безбедносне мере за заштиту руковаоца које су засноване на процени изложености у стварним условима употребе (узимајући у обзир све делове радног циклуса, као што је време рада уређаја, али и време када је алат искључен и када ради у празном ходу).

ЕЗ декларација о усаглашености

Само за европске земље

ЕЗ декларација о усаглашености део је Додатка А у овом приручнику са упутствима.

БЕЗБЕДНОСНА УПОЗОРЕЊА

Безбедносна упозорења за пнеуматски закивач / хефталицу

▲УПОЗОРЕЊЕ: Прочитајте сва безбедносна упозорења и упутства. Непоштовање упозорења и упутстава може изазвати тешке телесне повреде, струјни удар и/или пожар.

Сачувајте сва упозорења и упутства за будуће потребе.

Ради личне безбедности и правилног руковања и одржавања алата, прочитајте ово упутство пре употребе алата.

Општа безбедност

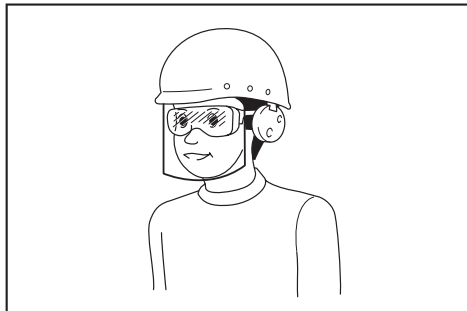
1. Није дозвољено коришћење у друге сврхе осим наведених. Алат за постављање причвршћивача са активирањем на непрекидни додир или на додир треба користити само за примене приликом производње.
2. Водите рачуна о томе да вам прсти буду даље од окидача када алат не ради и када се пребацујете са једног радног положаја на други.
3. Вишеструке опасности. Прочитајте и потрудите се да разумете безбедносна упутства пре повезивања, одспајања, пуњења алата, рада, одржавања, мењања додатног прибора или рада у близини алата. У супротном може да дође до озбиљне телесне повреде.
4. Све делове тела, као што су руке и ноге итд. држите даље од правца закуцавања и водите рачуна о томе да причвршћивач не продре са предметом обраде у делове тела.

5. Имајте у виду да приликом коришћења алата причвршћивач може да скрене и изазове повреде.
6. Непрекидно чврсто држите алат и будите спремни да обуздате трзање.
7. Алатом за постављање причвршћивача треба да управљају само технички обучени руковаоци.
8. Немојте модификовати алат за постављање причвршћивача. Измене могу да умање ефикасност безбедносних мера и да повећају ризик по руковаоце и посматраче.
9. Немојте да баците упутство.
10. Немојте да користите алат ако је оштећен.
11. Водите рачуна приликом руковања причвршћивачима, поготово приликом пуњења и пражњења, јер причвршћивачи имају оштре делове који могу да изазову повреде.
12. Увек пре коришћења проверите да ли је алат сломљен, неправилно повезан или су му делови похабани.
13. Немојте се нагињати. Користите само у безбедном радном окружењу. Увек морате имати одговарајући ослонац и одржавати равнотежу.
14. Водите рачуна о томе да посматрачи буду што даље (када радите у областима у којима постоји могућност да пролазите кроз мноштво људи). Јасно означите своју радну област.
15. Немојте никада упирати алат према себи или другима.
16. Немојте држати прст на окидачу приликом подизања алата, премештања између радних области и положаја или ходања, јер држање прста на окидачу може да доведе до ненамерног покретања. Алате са селективним активирањем увек проверите пре коришћења пре него што утврдите да је изабран прави режим.
17. Носите само рукавице које пружају одговарајући осећај и безбедну контролу окидача и уређаја за подешавање.
18. Алат положите на равну површину када га одлажете. Ако користите куку која се доставља са опремом, чврсто закачите алат на стабилну површину.
19. Немојте да радите када сте под утицајем алкохола, лекова и сличног.

Опасност од летења

1. Алат за постављање причвршћивача треба одспојити приликом вађења причвршћивача, прилагођавања, уклањања заглављених ексера или мењања додатног прибора.
2. Водите рачуна о томе да током рада причвршћивачи исправно продру у материјал и да не могу да скрену / погрешно се закуцају у правцу руковаоца и/или посматрача.
3. Могуће је да ће се током рада отпуштати отпаци са предмета обраде и система за причвршћивање/упаривање.

4. Увек носите безбедносне наочаре како бисте заштитили очи од повреда приликом коришћења електричног алата. Наочаре морају да буду у складу са стандардом ANSI Z87.1 у САД, са стандардом EN 166 у Европи или AS/NZS 1336 у Аустралији / на Новом Зеланду. У Аустралији / на Новом Зеланду је законски обавезно носити и штитник за лице, како бисте заштитили лице.



Послодавац је одговоран да руковаоце алатом и друге особе у радном окружењу обавезе на употребу одговарајуће опреме за заштиту.

5. Руковалац треба да процени ризик по друге.
6. Будите пажљиви са алатима који нису у контакту са предметом обраде, јер могу ненамерно да закуцају ексер и да повреду руковаоца и/или посматрача.
7. Водите рачуна о томе да алат увек буде безбедно постављен на предмет обраде и да не може да склизне.
8. Носите заштиту за слух да бисте заштитили уши од буке и носите заштиту за главу. Такође носите лаку одећу припијену уз тело. Рукави треба да буду закопчани или подвијени. Не треба носити кравату.

Опасности које настају приликом рада

1. Правилно држите алат: будите спремни да реагујете на уобичајене или изненадне покрете као што је трзање.
2. Одржавајте равнотежу положаја тела и сигуран ослонац.
3. Препоручује се коришћење одговарајућих безбедносних наочара, одговарајућих рукавица и одговарајуће заштитне одеће.
4. Треба носити одговарајућу заштиту за слух.
5. Користите одговарајуће напајање као што је назначено у упутству.
6. Немојте користити алат на покретним платформама или у возилима у покрету. Изненадно померање платформе може да доведе до губитка контроле над алатом и до повреда.
7. Треба увек да претпостављате да алат садржи елементе за причвршћивање.
8. Не журите када радите и не користите алат на силу. Пажљиво рукујте алатом.
9. Водите рачуна о свом ставу и одржавајте равнотежу док користите алат. Водите рачуна да нико не буде испод вас када радите на висини и причврстите црево за ваздух да бисте спречили опасност ако дође до изненадног ударца или застоја.

10. На крововима и другим високим местима постављајте елементе за причвршћивање док се крећете унапред. Лако ћете изгубити равнотежу ако елементе за причвршћивање постављате док се крећете корак по корак уназад. Када постављате елементе за причвршћивање на вертикалну површину, радите то од врха према дну. Тако ћете постављати елементе за причвршћивање са мање напора.
11. Елемент за причвршћивање ће се савити или ће се алат заглавити ако грешком елемент за причвршћивање поставите на врх другог елемента за причвршћивање или ударите у чвор у дрвету. Елемент за причвршћивање може да одскочи и да удари некога или сам алат може да реагује опасно. Пажљиво закуцавајте елементе за причвршћивање.
12. Не остављајте напуњен алат или компресор ваздуха под притиском дуже време напољу на сунцу. Уверите се да прашина, песак, опилци и страни предмети не могу да доспеју у алат на месту на коме га оставите.
13. Никада не покушавајте да постављате елементе за причвршћивање истовремено са унутрашње и спољашње стране. Елементи за причвршћивање могу да пробију материјал и/или одлете, што представља озбиљну опасност.

Опасности изазване понављаним покретима

1. Приликом дужег коришћења алата, руковалац може осетити неугодност у шакама, рукама, раменима, врату или другим деловима тела.
2. Руковалац треба да заузме удобан али ергономичан положај тела док управља алатом. Одржавајте сигуран ослонац под ногама и избегавајте неубичајене или неизбалансиране положаје тела.
3. Ако руковалац доживи симптоме као што су стална или понављајућа неугодност, пробадајући бол, други болови, жмарци, неосетљивост, осећај печења или укоченост, немојте занемарити ове знаке упозорења. Руковалац би требало да се обрати квалификованом здравственом раднику у вези са укупним активностима.
4. Континуирано коришћење алата може да изазове повреде настале понављаним радњама због трзања алата до ког може доћи.
5. Да бисте избегли нежељене повреде, руковалац се не сме превише нагињати нити примењивати превелику снагу. Поред тога, руковалац се треба одморити када осети умор.
6. Извршите процену ризика у вези са опасностима изазваним понављаним покретима. Требало би да се фокусира на поремећаје локомоторног система и да буде заснована на претпоставци да се одмарањем током рада смањује могућност поремећаја.

Опасности у вези са прибором и потрошним материјалом

1. Ако је применљиво, одспојите напајање са алата, као што је напајање за ваздух, гас или батерије, пре него што мењате додатни прибор који је у контакту са предметом обраде или пре него што обављате било каква прилагођавања.
2. Користите само величине и врсте прибора које доставља произвођач.
3. Користите само мазива препоручена у овом приручнику.

Опасности у вези са радним окружењем

1. Највећи узроци опасности у радном окружењу су клизање, саплитање и падови. Водите рачуна о клизавим површинама до којих је дошло услед коришћења алата, као и о опасностима од саплитања које изазива црево за ваздух.
2. Будите додатно пажљиви у непознатим окружењима. Може бити скривених опасности од електрицитета или водова.
3. Овај алат није намењен за коришћење у окружењима где може да дође до експлозије и није изолован од контакта са електричном струјом.
4. Водите рачуна да не буде електричних каблова, гасних цеви итд. који могу изазвати опасност за алат ако су оштећени.
5. Радно подручје мора бити чисто и добро осветљено. Претрпане или мрачне области представљају области већег ризика.
6. Можда постоје локални прописи који регулишу прописани ниво буке који се морају поштовати да би се ниво буке одржао у прописаним границама. У одређеним случајевима треба користити поклопце за смањивање буке.

Опасности од прашине и издувних гасова

1. Увек проверите своје окружење. Ваздух који је издуван из алата може да садржи прашину или честице и може да погоди руковаоца или посматрача.
2. Усмерите издувни отвор тако да буде најмање прашине у окружењу.
3. Ако прашина или објекти доспеју у радни простор, смањите емисију колико је могуће да бисте смањили опасности по здравље и могућност настанка повреде.

Опасности од буке

1. Излагање високим нивоима буке без заштите може да изазове трајна оштећења, губитак слуха и друге проблеме као што је зујање у ушима (звоњење, брујање, звиждање или фијукање у ушима).
2. Извршите процену ризика у вези са опасностима од буке у радном простору и предузмите одређене мере у вези с тим опасностима.
3. Одређене контроле за смањивање ризика могу да укључују радње као што је влажење материјала како би се спречило „звоњење“.
4. Користите одговарајућу заштиту за слух.

5. Управљајте алатом и одржавајте га пратећи препоруке у овим упутствима како бисте спречили непотребно повећавање нивоа буке.
6. Предузмите мере за смањење буке, на пример поставите предмет обраде на подлогу са подршком за пригушење звука.

Опасности од вибрација

1. Емисија вибрације током рада зависи од снаге хватања, снаге притискања контакта, правца рада, прилагођавања напајања, предмета обраде, подршке за предмет обраде. Извршите процену ризика у вези са опасностима од вибрације и предузмите одређене мере у вези с тим опасностима.
2. Излагање вибрацијама може да оштети нерве у рукама и шакама и њихово снабдевање крвљу што може да изазове инвалидитет.
3. Носите топлу одећу док радите у хладним условима и нека вам руке буду топле и суве.
4. Ако приметите неосетљивост, жмарце, бол или ако вам пребдеде прсти или руке, потражите медицинску помоћ од квалификованог здравственог радника у вези са укупним активностима.
5. Управљајте алатом и одржавајте алат пратећи препоруке у овим упутствима како бисте спречили непотребно повећавање нивоа вибрације.
6. Алат држите лагано, али сигурно, јер је генерално већа опасност од вибрација када се алат чвршће држи.

Додатна упозорења за пнеуматски алат

1. Компримовани ваздух може да изазове озбиљне повреде.
2. Када се алат не користи, увек искључите довод ваздуха и одспојите алат од довода ваздуха.
3. Увек одспојите алат од довода компримованог ваздуха пре него што мењате додатни прибор, правите прилагођавања и/или поправке, приликом премештања са једне радне области на другу.
4. Водите рачуна о томе да вам прсти буду даље од окидача када алат не ради и када се пребацујете са једног радног положаја на други.
5. Немојте никад усмеравати компримовани ваздух према себи или другима.
6. Млатарање црева може да изазове озбиљне повреде. Увек проверите да ли су црева оштећена или лабава и да ли су спојнице лабаве.
7. Немојте никада носити пнеуматски алат за црево.
8. Немојте никада вући пнеуматски алат за црево.
9. Водите рачуна о томе да не прекорачите максимални радни притисак приликом коришћења пнеуматског алата.

10. Пнеуматски алат требало би да ради само на компримовани ваздух при најнижем притиску потребном за рад како би се смањила бука и вибрација и како би се хабање svelo на минимум.
11. Коришћење кисеоника или запаљивих гасова приликом коришћења пнеуматских алата може довести до опасности од пожара или експлозије.
12. Пажљиво рукујте пнеуматским алатом јер може да постане хладан, што може да утиче на рукохват и на контролу.

Додатна упозорења за алат са могућношћу активирања на додир



1. Немојте држати прст на окидачу приликом подизања алата, премештања између радних области и положаја или ходања, јер држање прста на окидачу може да доведе до ненамерног покретања. Алате са селективним активирањем увек проверите пре коришћења пре него што утврдите да је изабран прави режим.
2. Овај алат има или селективно активирање за активирање на додир или на непрекидни додир полугом за активирање режима или активирање на додир или на непрекидни додир означено симболом изнад. Наменске употребе односе се на примене приликом производње нпр. палета, намештаја, произведених кућишта, приликом постављања пресвлака и облога.
3. Ако овај алат користите у режиму селективног активирања, постарајте се да увек буду подешене исправне поставке активирања.
4. Немојте користити овај алат у режиму активирања на додир за примене као што је затварање кутија или сандука и постављање безбедносних система на приколице и камионе.
5. Будите пажљиви приликом преласка с једне локације за закивање на другу.

Штитници

1. Пре почетка рада уверите се да су сви сигурносни системи спремни за рад. Алат не сме да ради ако је само повучен окидач или ако је само контактни крак притиснут уз дрво. Сме да ради само када су извршена оба поступка. Проверите да ли алат ради исправно док у њему нема елемената за причвршћивање и док је гурач повучен до краја.
2. Учвршћивање окидача у положају „ON“ (укључено) је веома опасно. Никада не покушавајте да учврстите окидач.
3. Не покушавајте да држите контактни елемент притиснут траком или жицом. Може да дође до смртног исхода или тешке повреде.
4. Увек проверавајте контактни елемент према саветима у овом упутству. Нехотично можете да покренете елементе за причвршћивање ако сигурносни механизам не ради правилно.

Сервисирање

1. Изведите радове чишћења и одржавања одмах по завршетку посла. Одржавајте алат у беспрекорном стању. Подмажите покретне делове да бисте спречили појаву рђе и svelи на најмању меру хабање проузроковано трењем. Очистите праšину са свих делова.
2. Обратите се овлашћеном Makita сервису ради периодичне провере алата.
3. БЕЗБЕДАН и ПОУЗДАН рад алата гарантујемо само ако поправке и одржавање препустите овлашћеном сервису за алат Makita, уз употребу оригиналних резервних делова Makita.
4. Придржавајте се локалних прописа приликом одлагања алата.

САЧУВАЈТЕ ОВО УПУТСТВО.

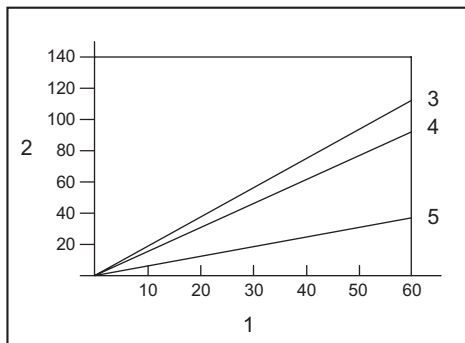
▲УПОЗОРЕЊЕ: НЕМОЈТЕ себи да дозволите да занемарите строга безбедносна правила која се односе на овај производ услед чињенице да сте производ добро упознали и стекли рутину у руковању њиме (услед честог коришћења). **НЕНАМЕНСКА УПОТРЕБА** или непоштовање безбедносних правила наведених у овом упутству могу довести до тешких телесних повреда.

ОПИС ДЕЛОВА

- **Слика1:** 1. Окидач 2. Део за контакт са површином 3. Полуга за активирање режима 4. Складиште 5. Кука

ПОСТАВЉАЊЕ

Избор компресора



1. Фреквентност закицавања ексера (број/мин)
2. Издувавање компримованог ваздуха у минуту (литара/мин)
3. 0,83 МПа (8,3 бара)
4. 0,66 МПа (6,6 бара)
5. 0,49 МПа (4,9 бара)

Компресор ваздуха мора да буде у складу са захтевима смернице EN60335-2-34.

Изаберите компресор са довољним притиском и излазом ваздуха који обезбеђује економичан рад. Графикон приказује однос између фреквенности закуцавања, применљивог притиска и количине створеног ваздуха.

Тако, на пример, ако закуцавате брзином од приближно 60 пута у минути компресијом од 0,83 МПа (8,3 бара), потребан је компресор са излазом ваздуха преко 110 литара/мин.

Тамо где притисак доведеног ваздуха премашује номинални притисак алата морају да се користе регулатори притиска за ограничавање притиска на номинални притисак алата. У супротном, руковалац алатом или особе у близини могу озбиљно да се повредe.

Избор црева за ваздух

ПАЖЊА: Мала количина створеног компримованог ваздуха или дугачко црево за ваздух или црево за ваздух малог пречника у односу на фреквенност закуцавања могу да смање могућност рада алата.

► Слика2

Користите што шире и што краће црево за ваздух да бисте осигурали непрекидан и ефикасан рад на закуцавању ексера.

Са ваздушним притиском од 0,49 МПа (4,9 бара), препоручено је црево унутрашњег пречника од преко 6,5 мм и дужине мање од 20 м када је интервал између закуцавања 0,5 секунде. Црево за довод ваздуха треба да има радни притисак просечне брзине од најмање 1,03 МПа (10,3 бара) или 150 процената од максималног притиска произведеног у систему, која год од те две вредности да је већа.

Подмазивање

► Слика3

Да бисте обезбедили максималне перформансе, монтирајте комплет за ваздух (лименку за подмазивање, регулатор, филтер за ваздух) што ближе алату. Подесите лименку за подмазивање тако да једна кап уља капне на сваких 30 ексера.

Када не користите комплет за ваздух, подмажите алат уљем за пнеуматски алат стављањем 2 (две) или 3 (три) капи на место за причвршћивање прибора за ваздух. Ово треба да урадите пре и после употребе.

За правилно подмазивање неколико пута извршите окидање после стављања уља за пнеуматски алат.

► Слика4: 1. Уље за пнеуматски алат

ОПИС НАЧИНА ФУНКЦИОНИСАЊА

ПАЖЊА: Пре подешавања или провере функција алата увек вратите окидач и одспојите црево за ваздух са алата.

Подешавање дубине закуцавања ексера

ПАЖЊА: Увек отпустите окидач и одвојите црево пре подешавања дубине закуцавања.

► Слика5: 1. Регулатор

Да бисте подесили дубину закуцавања клинастих ексера, окрените регулатор.

Дубина закуцавања клинастих ексера је највећа када је регулатор до краја окренут у правцу „А“, као што је приказано на слици. Дубина ће се смањивати како окренете регулатор у правцу „В“.

Ако није могуће довољно дубоко закуцати ексере, чак и ако је регулатор до краја окренут у правцу А, повећајте ваздушни притисак.

Ако су ексери закуцани предубоко, чак и ако је регулатор до краја окренут у правцу В, смањите ваздушни притисак.

Уопште, век трајања алата биће дужи ако га користите са нижим ваздушним притиском и регулатором подешеним на већу дубину закивања ексера.

Кука

ПАЖЊА: Увек отпустите окидач и одвојите црево пре промене положаја куке.

ПАЖЊА: Никада немојте да качите алат на високој локацији нити на потенцијално нестабилној површини.

ПАЖЊА: Немојте качити на куку на каиш. Ако закивач случајно испадне, може доћи до нежељеног покретања алата и до телесних повреда.

► Слика6

► Слика7: 1. Кука 2. Имбус завртањ 3. Отвор

Кука је практична за привремено качење алата. Да бисте променили положај куке, уклоните имбус завртањ и промените смер куке. Кука има два отвора. Изаберите отвор зависно од жељене ширине куке.

Подешавање вођице за шиндру

► Слика8: 1. Део за контакт са површином 2. Вођица за шиндру 3. Шиндра

► Слика9: 1. Плоча за подешавање 2. Полуга

Вођица за шиндру је пројектована за уједначено излагање шиндре.

Поставите шиндру у жељени положај. Окрените полуку да бисте отпустили плочу за подешавање. Поставите забијач ексера тако да део за контакт са површином отпусти и изложу шиндру и претходни ред шиндре. Погурајте плочу за подешавање нагоре ка дну изложене шиндре и вратите полуку да бисте закључали плочу за подешавање.

СКЛАПАЊЕ

ПАЖЊА: Пре било каквог рада са алатом, увек вратите окидач и одспојите црево за ваздух са алата.

ПАЖЊА: Користите ексере истог типа, величине и дужине када убацујете више трака ексера у складиште.

Пуњење забијача ексера

ОБАВЕШТЕЊЕ: Изаберите ексере који одговарају вашем послу.

ОБАВЕШТЕЊЕ: Поставите плочу за осигуравање спирале у складу са величином ексера коју користите. Ако се алат користи са плочом за осигуравање спирале са подешеним погрешним кораком, достављање ексера ће бити лоше или може да дође до квара алата.

1. Притисните ручицу за закључавање и отворите поклопац складишта.

► **Слика10:** 1. Поклопац складишта 2. Ручица за закључавање

2. Подигните и окрените плочу за осигуравање спирале тако да стрелица са величином ексера означена на плочи за осигуравање спирале показује на одговарајући подеок означен на складишту.

► **Слика11:** 1. Плочица за осигуравање спирале 2. Подеоци 3. Стрелица

3. Поставите спиралу са ексерима преко плоче за осигуравање спирале. Одмотајте довољну количину ексера да досегнете куку за додавање. Поставите први ексер у канал главе, а други у куку за додавање. Ставите остале неодмотане ексере на кућиште додавача. Затворите поклопац складишта након што проверите да ли је спирала са ексерима исправно постављена у складиште.

► **Слика12:** 1. Кука за додавање

Повезивање црева за ваздух

ПАЖЊА: Немојте да стављате прст на окидач када повезујете црево за ваздух.

► **Слика13:** 1. Место за причвршћивање прибора за ваздух 2. Утичница за ваздух

Натакните утичницу за ваздух црева за ваздух на место за причвршћивање прибора за ваздух на алату. Уверите се да је утичница за ваздух добро причвршћена када је постављате на место за причвршћивање прибора за ваздух.

Спојница црева мора да буде постављена на алат или близу њега тако да се резервоар под притиском испразни у исто време када одвојите спојницу за довод ваздуха.

РАД

ПАЖЊА: Пре почетка рада уверите се да су сви сигурносни системи спремни за рад.

Провера исправности рада пре коришћења

Пре почетка рада увек проверите следеће тачке.

- Уверите се да се алат не покреће само повезивањем црева за ваздух.
- Уверите се да се алат не покреће само притиском на окидач.
- Уверите се да се алат не покреће само постављањем дела за контакт с површином на предмет обраде без притиска на окидач.
- Постарајте се да се алат у режиму једноструког активирања не активира онда кад најпре притиснете окидач а затим поставите део за контакт с површином на предмет обраде.


Одабир режима рада

ПАЖЊА: Водите рачуна о томе да пре закуцавања полуга за режим активирања буде увек исправно постављена у положај за жељени режим закуцавања.

► **Слика14:** 1. Полуга за активирање режима


Режим једноструког активирања:

Можете да закуцавате ексере један по активацији. Изаберите овај режим ако желите да закивате ексере пажљиво и прецизно.

Да бисте изабрали овај режим, поставите полугу за режим активирања у положај .

Режим активирања на додир:

Можете да закивате ексере узастопно тако што ћете поставити део за контакт с површином на површину држећи окидач.

Да бисте изабрали овај режим, поставите полугу за режим активирања у положај .

Једноструко активирање

ПАЖЊА: Не стављајте део за контакт с површином уз предмет обраде на силу. Повуците окидач до краја и задржите га 1-2 секунде после закуцавања.

Чак и у режиму „једноструког активирања“ напола притиснути окидач може да доведе до непланираног закивања када део за контакт с површином поново додирне предмет обраде.

Поставите део за контакт с површином на предмет обраде и притисните окидач до краја.

Након закивања ексера, отпустите део за контакт с површином, а затим отпустите окидач.

► **Слика15**

Активирање на додир



Прво повуците окидач, а затим ставите део за контакт с површином на предмет обраде.

► **Слика16**

Уклањање заглављених ексера

▲ ПАЗЊА: Увек вратите окидач и одспојите црево пре уклањања заглављених ексера.

▲ ПАЗЊА: Немојте користити деформисане ексерне или траке ексера. У супротном може доћи до слабог причвршћивања ексера.

► **Слика17:** 1. Чекић 2. Мала шипка 3. Излазни отвор

Када се забијач ексера заглави, учините следеће: Отворите поклопац складишта муниције и извадите спиралу са ексерима. Поставите малу шипку или нешто слично у излазни отвор и ударите је чекићем да бисте изгурали заглављени ексер из излазног отвора. Поново подесите спиралу с ексерима и затворите поклопац складишта.

ОДРЖАВАЊЕ

▲ ПАЗЊА: Пре него што покушате да обавите проверу или одржавање, увек вратите окидач и одспојите црево за ваздух са алата.

ОБАВЕШТЕЊЕ: Немојте да користите нафту, бензин, разређивач, алкохол и слично, осим ако није другачије наведено у овом упутству. Може доћи до губитка боје, деформације или оштећења.

Ексери

Пажљиво рукујте спиралама са ексерима и њиховом кутијом. Ако грубо рукујете спиралом са ексерима, она може да се изобличи, па ексери неће моћи добро да се убацију.

Немојте да чувате ексерне на врло влажним или врућим местима или на местима изложеним директној сунчевој светлости.

Чишћење и уклањање катрана и запрљања

▲ ПАЗЊА: Увек носите водонепропусне рукавице за заштиту шака.

Накупљање катрана и запрљања на подручјима око дела за контакт са површином спречава његово глатко кретање (безбедносни механизам), што доводи до случајног окидања. Повремено чистите подручја око дела за контакт са површином.

Користите растварач попут керозина, горива бр. 2 или дизел горива. У растварач потопите само део за контакт са површином и подручја око излазног отвора и четком уклоните катран и запрљања.

► **Слика18**

ОБАВЕШТЕЊЕ: Немојте потапати кућиште, складиште и сл. у растварач. Може да дође до квара алата.

НАПОМЕНА: Употребљени растварач одложите на отпад на безбедан и разуман начин, у складу са свим локалним и националним прописима.

Одржавање забијача ексера

Пре почетка рада увек прегледајте у каквом је стању алат и да ли су сви завртњи добро затегнути. Затегните их прописно.

Када алат није прикључен на мрежно напајање, сваког дана проверавајте да ли се део за контакт с површином и окидач слободно крећу. Немојте да користите алат ако се део за контакт с површином или окидач заглави или савије.

Када дуже време нећете користити алат, подмажите га уљем за пнеуматски алат и одложите на сигурном месту. Не излажите алат директној сунчевој светлости и/или влази или прекомерној топлоти.

► **Слика19**

Одржавање компресора, комплекта за ваздух и црева за ваздух

По завршетку рада увек испразните резервоар компресора и филтер за ваздух. Ако дозволите да влага доспе у алат, може да доведе до смањења перформанси а можда и до квара алата.

► **Слика20:** 1. Славина за одвод

► **Слика21:** 1. Филтер за ваздух

Редовно проверавајте да ли у лименци комплекта за ваздух има довољно пнеуматског уља. Ако подмазивање није довољно, 0-прстенови ће се брзо истрошити.

► **Слика22:** 1. Лименка за подмазивање 2. Уље за пнеуматски алат

Црево за ваздух држите даље од топлоте (преко 60°C, преко 140°F) и од хемикалија (разређивач, јаке киселине или базе). Такође, путања црева треба да буде даље од препрека о које може да се заплете током рада и тиме представља опасност. Црева такође морају да буду усмерена даље од оштрих ивица и места на којима могу да се оштете или огуле.

БЕЗБЕДАН и ПОУЗДАН рад алата гарантујемо само ако поправке, свако друго одржавање или подешавање, препустите овлашћеном сервису компаније Makita или фабричком сервису, уз употребу оригиналних резервних делова компаније Makita.

ОПЦИОНИ ПРИБОР

▲ ПАЗЊА: Ова опрема и прибор су предвиђени за употребу са алатом Makita описаним у овом упутству за употребу. Употреба друге опреме и прибора може да доведе до повреда. Користите делове прибора или опрему искључиво за предвиђену намену.

Да бисте добили више детаља у вези са овим прибором, обратите се локалном сервисном центру компаније Makita.

- Ексери
- Црево за ваздух
- Заштитна маска

НАПОМЕНА: Поједине ставке на листи могу бити укључене у садржај паковања алата као стандардна опрема. Оне се могу разликовати од земље до земље.

ТЕХНИЧЕСКИЕ ХАРАКТЕРИСТИКИ

Модель:		AN454
Давление воздуха		0,49–0,83 МПа (4,9–8,3 бар)
Крепёж	Тип	Гвозди бобинные (кровельные)
	Длина	19 мм - 45 мм
	Диаметр	3,05 мм
Количество гвоздей		120 штук
Масло для пневмоинструмента		ISO VG32 или эквивалент
Минимальный диаметр шланга		6,5 мм
Размеры (Д x Ш x В)		256 мм x 117 мм x 271 мм
Масса нетто		2,4 кг

- Благодаря нашей постоянно действующей программе исследований и разработок указанные здесь технические характеристики могут быть изменены без предварительного уведомления.
- Технические характеристики могут различаться в зависимости от страны.

Символы

Ниже приведены символы, используемые для электроинструмента. Перед использованием убедитесь, что вы понимаете их значение.



Прочитайте руководство по эксплуатации.



Надевайте защитные очки.



Используйте средства защиты слуха.



Инструмент может работать в режиме контактного срабатывания.



Не использовать на лесах, лестницах.

Назначение

Данный инструмент предназначен для выполнения подготовительных работ внутри помещений, таких как крепление балок перекрытия или промежуточных стропильных ног и рамных работ в корпусе 2" x 4".

Инструмент предназначен только для профессионального использования с большими объемами. Запрещается использовать его для каких-либо других целей. Он не предназначен для непосредственного вбивания креплений в твердые поверхности, такие как сталь и бетон.

Шум

Типичный уровень взвешенного звукового давления (A), измеренный в соответствии с ISO11148-13(EN12549):

Уровень звукового давления (L_{pA}): 102 дБ (A)

Уровень звуковой мощности (L_{WA}): 113 дБ (A)

Погрешность (K): 1,5 дБ (A)

ПРИМЕЧАНИЕ: Заявленное значение распространения шума измерено в соответствии со стандартной методикой испытаний и может быть использовано для сравнения инструментов.

ПРИМЕЧАНИЕ: Заявленное значение распространения шума можно также использовать для предварительных оценок воздействия.

⚠ОСТОРОЖНО: Используйте средства защиты слуха.

⚠ОСТОРОЖНО: Распространение шума во время фактического использования электроинструмента может отличаться от заявленного значения в зависимости от способа применения инструмента и в особенности от типа обрабатываемой детали.

⚠ОСТОРОЖНО: Обязательно определите меры безопасности для защиты оператора, основанные на оценке воздействия в реальных условиях использования (с учетом всех этапов рабочего цикла, таких как выключение инструмента, работа без нагрузки и включение).

Вибрация

Общее значение вибрации определено в соответствии с ISO11148-13(ISO8662-11):

Распространение вибрации ($a_{\text{н}}$): 5,7 м/с²

Погрешность (K): 1,5 м/с²

ПРИМЕЧАНИЕ: Заявленное общее значение распространения вибрации измерено в соответствии со стандартной методикой испытаний и может быть использовано для сравнения инструментов.

ПРИМЕЧАНИЕ: Заявленное общее значение распространения вибрации можно также использовать для предварительных оценок воздействия.

⚠ОСТОРОЖНО: Распространение вибрации во время фактического использования электроинструмента может отличаться от заявленного значения в зависимости от способа применения инструмента и в особенности от типа обрабатываемой детали.

⚠ОСТОРОЖНО: Обязательно определите меры безопасности для защиты оператора, основанные на оценке воздействия в реальных условиях использования (с учетом всех этапов рабочего цикла, таких как выключение инструмента, работа без нагрузки и включение).

Декларация о соответствии ЕС

Только для европейских стран

Декларация о соответствии ЕС включена в руководство по эксплуатации (Приложение А).

МЕРЫ БЕЗОПАСНОСТИ

Техника безопасности при использовании пневматического нейлера/степлера

⚠ОСТОРОЖНО: Ознакомьтесь со всеми инструкциями и рекомендациями по технике безопасности. Невыполнение инструкций и рекомендаций может привести к тяжелым травмам, поражению электротоком и/или пожару.

Сохраните брошюру с инструкциями и рекомендациями для дальнейшего использования.

С целью обеспечения личной безопасности, надлежащей эксплуатации и технического обслуживания инструмента перед началом работ с инструментом прочитайте инструкцию по эксплуатации.

Общие правила техники безопасности

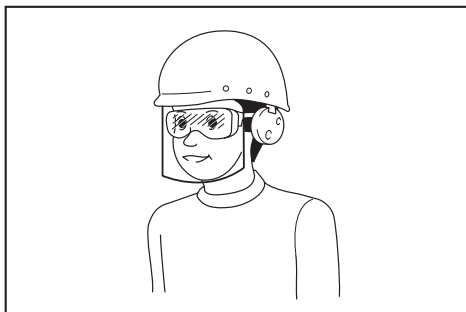
1. Запрещено использование инструмента не по назначению. Инструменты для установки крепежа с непрерывным контактным срабатыванием или контактным срабатыванием должны использоваться только при производстве.
2. Держите пальцы подальше от триггерного переключателя, если инструмент не используется, а также при переходе из одного рабочего положения в другое.

3. Многочисленные факторы риска. Ознакомьтесь с инструкцией по технике безопасности перед подключением, отключением, загрузкой, эксплуатацией, техническим обслуживанием, заменой принадлежностей или работой вблизи инструмента. Несоблюдение данного требования может привести к серьезным травмам.
4. Держите все части тела, например, ноги и руки, подальше от выходного отверстия и убедитесь, что крепеж не может пройти сквозь деталь и войти в тело.
5. При использовании инструмента следует помнить, что крепеж может отлететь и нанести травму.
6. Крепко держите инструмент и будьте готовы к возможной отдаче.
7. К работе с инструментом для установки крепежа допускаются только технически-квалифицированные операторы.
8. Не вносите изменений в конструкцию инструмента для установки крепежа. Изменения могут привести к снижению эффективности мер безопасности и повысить риски травмирования оператора и/или стороннего наблюдателя.
9. Не выбрасывайте инструкцию по эксплуатации.
10. Не используйте инструмент, если он поврежден.
11. Будьте осторожны при работе с крепежами, особенно при зарядке и разгрузке, так как крепежи имеют острые углы, которые могут стать причиной травмы.
12. Перед использованием всегда проверяйте инструмент на наличие поврежденных, неправильно подключенных или изношенных деталей.
13. При эксплуатации устройства не тянитесь. Используйте инструмент только на безопасном рабочем месте. Всегда сохраняйте устойчивое положение и равновесие.
14. Не допускайте посторонних к месту работ (при работе в зонах, где будет много прохожих). Четко обозначьте вашу рабочую зону.
15. Никогда не направляйте инструмент на себя или окружающих.
16. Не держите палец на триггерном переключателе при поднятии инструмента, его перемещении между рабочими зонами и ходьбе, поскольку это может стать причиной случайного срабатывания инструмента. Всегда проверяйте инструмент с селективным срабатыванием перед использованием, чтобы убедиться, что выбран правильный режим.
17. Используйте только те перчатки, которые обеспечивают надлежащие тактильные ощущения и надежное управление триггерным переключателем и любыми регулирующими устройствами.
18. При остановке работы положите инструмент на плоскую поверхность. Если вы используете оснащенный крючком инструмент, надежно подвесьте инструмент на устойчивую поверхность.

19. Не работайте с инструментом, находясь в состоянии алкогольного и наркотического опьянения или под воздействием схожих веществ.

Риск поражения отлетающими крепежами

1. Инструмент для установки крепежа необходимо отсоединять при разгрузке крепежей, регулировке, устранении застрявшего крепежа или замене принадлежности.
2. Во время работы соблюдайте осторожность, чтобы крепежи правильно входили в материал и не отклонялись/случайно выстреливали в сторону оператора и/или посторонних лиц.
3. Во время работы предметы, засоряющие рабочую поверхность и дефлектор/ударную пластину, могут отлетать.
4. Во время работы с электроинструментом всегда надевайте защитные очки. Очки должны соответствовать ANSI Z87.1 для США, EN 166 для Европы, или AS/NZS 1336 для Австралии и Новой Зеландии. В Австралии и Новой Зеландии оператор также обязан носить защитную маску.



Ответственность за использование средств защиты операторами и другим персоналом вблизи рабочей зоны возлагается на работодателя.

5. Риски для других людей оцениваются оператором.
6. Будьте осторожны, когда инструмент не контактирует с деталью, поскольку он может случайно выстрелить и травмировать оператора и/или стороннего наблюдателя.
7. Убедитесь, что инструмент всегда надежно соприкасается с деталью и не скользит.
8. Для защиты органов слуха используйте наушники, а также носите защитные головные уборы. Носите свободную, но не всящую одежду. Застегивайте или закатывайте рукава. Не носите галстук.

Факторы риска при эксплуатации

1. Правильно держите инструмент: будьте готовы контролировать нормальные или непредвиденные движения инструмента, например, отдачу.
2. Займите устойчивое положение.
3. Необходимо использовать соответствующие защитные очки и перчатки. Рекомендуется носить защитную одежду.

4. Следует пользоваться соответствующими средствами защиты органов слуха.
5. Используйте правильный источник питания, указанный в руководстве.
6. Запрещается использовать инструмент на движущихся платформах или в кузове грузовика. Резкие движения платформы могут привести к потере контроля над инструментом и стать причиной получения травм.
7. Всегда предполагайте, что в инструмент заряжен крепеж.
8. Не спешите при выполнении работы и не прикладывайте значительных усилий к инструменту. Осторожно обращайтесь с инструментом.
9. Работая с инструментом, всегда следите за тем, чтобы ваше положение было устойчиво. Работая на высоте, убедитесь в том, что под вами нет людей и хорошо закрепите пневматический шланг, чтобы исключить его случайное подергивание или зацепление.
10. Работая на крышах и других расположенных на высоте площадках, забивайте крепеж, одновременно передвигаясь вперед. Вы можете потерять равновесие, если будете забивать крепеж, пятясь назад. При установке крепежа в вертикальную поверхность выполняйте работу сверху вниз. Следуя этой рекомендации, вы устанете меньше.
11. Крепеж согнется или инструмент заклинит, если вы по ошибке попытаетесь забить крепеж поверх другого крепежа или в сучок. Крепеж может отскочить и попасть в кого-нибудь. Также может наблюдаться отдача инструмента, что также опасно. При забивании крепежа соблюдайте осторожность.
12. Не оставляйте заряженный инструмент или воздушный компрессор под давлением на солнце в течение длительного времени. Примите меры, чтобы пыль, песок, стружка и иные посторонние частицы не попали в инструмент в том месте, где вы выполняете его настройку.
13. Никогда не забивайте крепеж одновременно с внутренней и внешней стороны. Крепеж может пройти сквозь деталь и/или отлететь, представляя смертельную опасность.

Факторы риска, связанные с монотонной работой

1. При использовании инструмента в течение длительного времени оператор может испытывать дискомфорт в руках, кистях, плечах, шее или других частях тела.
2. Во время работы с инструментом оператор должен принять удобное и подходящее положение. Опирайтесь на обе ноги и избегайте потери равновесия.
3. При появлении таких симптомов, как постоянный или повторяющийся дискомфорт, пульсирующая или ноющая боль, покалывание, онемение, жжение или напряжение, оператору не следует их игнорировать. Оператору необходимо обратиться к квалифицированному медицинскому персоналу.

4. Непрерывное использование инструмента может привести к травмированию из-за постоянного напряжения, вызванного отдачей инструмента.
5. Чтобы избежать постоянного получения растяжений, оператор не должен тянуться слишком далеко или применять чрезмерные усилия. Кроме того, оператор должен отдыхать, как только почувствует усталость.
6. Необходимо провести оценку рисков, связанных с повторяющимися движениями. При оценке рисков необходимо сосредоточиться на мышечно-скелетных нарушениях. В основе оценки рисков должно лежать предположение о том, что снижение напряжения при работе способствует снижению нарушений.

Факторы риска, связанные со вспомогательными принадлежностями и расходными материалами

1. Перед выполнением регулировок и сменой принадлежностей, например, контактирующих с деталью, всегда отключайте инструмент от источника питания, например, пневматического шланга, газового баллона или аккумулятора.
2. Используйте только те размеры и типы принадлежностей, которые предоставляются производителем.
3. Используйте только те смазочные вещества, которые рекомендованы в настоящем руководстве.

Риски, связанные с условиями работы

1. Подскользывания, спотыкания и падения являются основными причинами травм на рабочем месте. Не забывайте о том, что в результате применения инструмента поверхности могут стать скользкими, а шланг подачи сжатого воздуха может стать причиной падения.
2. Соблюдайте особую осторожность при работе в незнакомой обстановке. Существуют скрытые источники опасности, например линии электропитания и другие коммуникационные линии.
3. Данный инструмент не предназначен для использования в потенциально взрывоопасной атмосфере и не изолирован от контакта с электроэнергией.
4. Убедитесь в отсутствии электрических кабелей, газовых труб и т.д., которые могут стать причиной опасной ситуации в случае их повреждения при использовании инструмента.
5. Рабочее место должно быть чистым и хорошо освещенным. Захламление и плохое освещение могут стать причиной несчастных случаев.
6. В том случае, если есть местные нормативы в отношении уровней шума, соблюдайте их, поддерживая уровень шума в допустимых значениях. В некоторых случаях для снижения уровня шума необходимо использовать шторы.

Факторы риска, связанные с выхлопными газами и пылью

1. Всегда обращайтесь внимание на окружающую обстановку. Воздух, выходящий из инструмента, может сдуть пыль или различные объекты и привести к травме оператора и/или посторонних лиц.
2. Направляйте выпускной патрубков так, чтобы не поднимать пыль в воздух в пыльных средах.
3. Если в рабочую зону попадает пыль или какие-то другие предметы, необходимо максимально снизить их попадание, чтобы сократить угрозу здоровью и риск получения травм.

Факторы риска, связанные с шумом

1. Работа без специальных средств защиты в условиях высокого уровня шума может привести к долгой потере слуха и другим проблемам, таким как шум в ушах (звон, жужжание, свист или гудение в ушах).
2. Необходимо провести оценку рисков, связанных с шумом в рабочей зоне, и внедрить соответствующие средства по управлению этими рисками.
3. Для снижения риска потери слуха оператор может принять соответствующие меры, например, использовать звукопоглощающие материалы для предотвращения звона деталей.
4. Используйте соответствующие средства защиты органов слуха.
5. Для предотвращения увеличения уровня шума используйте инструмент и проводите его обслуживание в соответствии с рекомендациями, указанными в данных инструкциях.
6. Примите меры по снижению шума, например располагайте обрабатываемые детали на звукоизолирующих опорах.

Факторы риска, связанные с вибрацией

1. Уровень вибрации во время работы зависит от силы захвата, силы контактного давления, направления, регулировки подачи энергии, обрабатываемой детали, опоры детали. Необходимо провести оценку рисков, связанных с вибрацией, и внедрить соответствующие средства по управлению этими рисками.
2. Воздействие вибрации может привести к необратимым повреждениям нервов и кровеносных сосудов рук и кистей.
3. При работе в условиях пониженной температуры носите теплую одежду, держите руки теплыми и сухими.
4. Если вы замечаете беление кожи, онемение, покалывание, боль в пальцах или руках, обратитесь за медицинской помощью к квалифицированному медицинскому персоналу.
5. Для предотвращения увеличения уровня вибрации используйте инструмент и осуществляйте его обслуживание в соответствии с рекомендациями, указанными в данных инструкциях.

6. Держите инструмент легкой, но надежной хваткой, поскольку риск воздействия вибрации, как правило, более высок при усилении хвате инструментом.
2. Инструмент может быть оборудован системой селективного срабатывания, которая позволяет выбирать между контактными срабатыванием и непрерывным контактным срабатыванием с помощью переключателей выбора режима срабатывания. Кроме того, существуют инструменты только с контактными срабатыванием или только с непрерывным контактным срабатыванием. Тип инструмента обозначается символом сверху. Он используется при изготовлении различных предметов, например поддонов, мебели, промышленных корпусов, для обивки и обшивки.

Дополнительные предупреждения для пневматических инструментов

1. Сжатый воздух может стать причиной серьезных травм.
2. Всегда отключайте подачу воздуха и отсоединяйте инструмент от линии подачи воздуха, когда он не используется.
3. Всегда отсоединяйте инструмент от линии подачи сжатого воздуха перед сменой принадлежностей, проведением регулировок/ремонта и при переходе из одной рабочей зоны в другую.
4. Держите пальцы подальше от триггерного переключателя, если инструмент не используется, а также при переходе из одного рабочего положения в другое.
5. Никогда не направляйте сжатый воздух на себя или другого человека.
6. Биение шлангов может стать причиной серьезных травм. Всегда проверяйте инструмент на наличие поврежденных или незакрепленных шлангов или фитингов.
7. Никогда не переносите пневматический инструмент за шланг.
8. Никогда не тяните пневматический инструмент за шланг.
9. При использовании пневматических инструментов не превышайте максимальное рабочее давление.
10. Используйте пневматический инструмент при минимальном давлении сжатого воздуха, требуемом для выполнения конкретной задачи, чтобы снизить уровень шума и вибрации и свести к минимуму износ.
11. Использование кислорода или горючих газов для работы пневматических инструментов создает опасность пожара и взрыва.
12. Будьте осторожны при использовании пневматических инструментов, так как инструмент может стать холодным, повлияв на захват и управление инструментом.

Дополнительные предупреждения для инструментов с функцией контактного срабатывания



1. Не держите палец на триггерном переключателе при поднятии инструмента, его перемещении между рабочими зонами и ходьбе, поскольку это может стать причиной случайного срабатывания инструмента. Всегда проверяйте инструмент с селективным срабатыванием перед использованием, чтобы убедиться, что выбран правильный режим.

3. При использовании инструмента в режиме селективного срабатывания всегда следите за тем, чтобы были заданы правильные настройки срабатывания.
4. Не используйте инструмент в режиме контактного срабатывания для упаковки коробок и ящиков или при установке систем защиты на транспортных средствах, например трейлерах или грузовиках.
5. Будьте осторожны при переходе с одного места проведения работ к другому.

Защитные устройства

1. Перед началом эксплуатации проверьте исправность всех систем защиты. Инструмент не должен работать, если нажат только триггер или только контактный рычаг прижат к дереву. Инструмент работает, только если выполнены оба условия. Проверьте инструмент на возможные неисправности без загрузки в него крепежа и при полностью отведенном толкателе.
2. Блокировать триггерный переключатель в положении ON (ВКЛ) очень опасно. Запрещается фиксировать триггерный переключатель.
3. Не пытайтесь зафиксировать контактный элемент в нажатом положении при помощи липкой ленты или проволочки. Опасность тяжелой травмы или летального исхода.
4. Обязательно следуйте приведенным в данном руководстве инструкциям при выполнении проверки контактного элемента. При нарушении работоспособности предохранительного механизма возможна случайная подача крепежа.

Сервисное обслуживание

1. Выполняйте очистку и обслуживание инструмента сразу после окончания работ. Содержите инструмент в хорошем техническом состоянии. Для предотвращения образования ржавчины и снижения степени износа подверженных трению частей смазывайте движущиеся детали. Очищайте части инструмента от пыли.
2. Проводите периодическую проверку инструмента в авторизованном сервисном центре Makita.

- Для обеспечения **БЕЗОПАСНОСТИ** и **НАДЕЖНОСТИ** инструмента его обслуживание и ремонт должны выполняться в авторизованных сервисных центрах компании Makita с использованием только оригинальных запасных частей компании Makita.
- Соблюдайте требования местного законодательства при утилизации инструмента.

СОХРАНИТЕ ДАННЫЕ ИНСТРУКЦИИ.

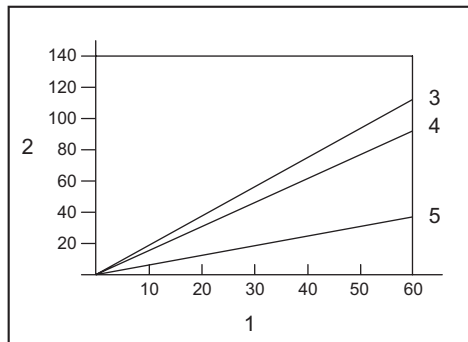
⚠ОСТОРОЖНО: НЕ ДОПУСКАЙТЕ, чтобы удобство или опыт эксплуатации данного устройства (полученный от многократного использования) доминировали над строгим соблюдением правил техники безопасности при обращении с этим устройством. **НЕПРАВИЛЬНОЕ ИСПОЛЬЗОВАНИЕ** инструмента или несоблюдение правил техники безопасности, указанных в данном руководстве, может привести к тяжелой травме.

ОПИСАНИЕ ДЕТАЛЕЙ

- **Рис. 1:** 1. Триггерный переключатель
2. Контактный элемент 3. Переключатель выбора режима 4. Магазин 5. Крючок

УСТАНОВКА

Выбор компрессора



1. Частота вбивания гвоздей (раз/мин)
2. Производительность воздушного компрессора (л/мин) 3. 0,83 МПа (8,3 бар) 4. 0,66 МПа (6,6 бар) 5. 0,49 МПа (4,9 бар)

Воздушный компрессор должен соответствовать требованиям стандарта EN60335-2-34.

Выберите компрессор с достаточными характеристиками давления и производительности для обеспечения экономичной работы. На диаграмме показана взаимосвязь между частотой вбивания гвоздей, подходящим давлением и производительностью воздушного компрессора.

Таким образом, если вбивание гвоздей выполняется с частотой примерно 60 раз в минуту под давлением 0,83 МПа (8,3 бар), необходим компрессор производительностью свыше 110 л/мин.

Если давление, обеспечиваемое компрессором, выше значения, необходимого для работы инструмента, следует использовать регуляторы для ограничения давления. Несоблюдение этого требования может привести к серьезной травме оператора и лиц, находящихся поблизости.

Выбор пневматического шланга

⚠ВНИМАНИЕ: Меньшее давление воздуха на выпуске компрессора, более длинный пневматический шланг или шланг меньшего диаметра в соотношении с частотой вбивания гвоздей могут привести к снижению эффективности работы инструмента.

- **Рис. 2**

Для обеспечения непрерывного и эффективного вбивания гвоздей используйте пневматические шланги как можно большего диаметра и как можно меньшей длины.

При воздушном давлении 0,49 МПа (4,9 бара) рекомендуем использовать воздушный шланг с внутренним диаметром более 6,5 мм и длиной менее 20 м, если интервал между забиванием гвоздей составляет 0,5 секунды.

Минимальное рабочее давление воздушных шлангов должно составлять 1,03 МПа (10,3 бара) или 150% от максимального давления, создаваемого в системе, в зависимости от того, какое значение выше.

Смазка

- **Рис. 3**

Для обеспечения максимальной производительности установите комплект пневматического оборудования (лубрикатор, регулятор, воздушный фильтр) как можно ближе к инструменту. Отрегулируйте лубрикатор так, чтобы расход масла составлял одну каплю на каждые 30 гвоздей.

Если комплект для сжатого воздуха не используется, смажьте инструмент маслом для пневмоинструмента, капнув 2 или 3 капли масла в фитинг сжатого воздуха. Это следует делать перед работой и после ее окончания.

Для надлежащей смазки необходимо после нанесения масла несколько раз активировать инструмент.

- **Рис. 4:** 1. Масло для пневмоинструмента

ОПИСАНИЕ РАБОТЫ

▲ВНИМАНИЕ: Перед регулировкой или проверкой функций инструмента всегда возвращайте триггерный переключатель и отсоединяйте пневматический шланг от инструмента.

Регулировка глубины вбивания гвоздей

▲ВНИМАНИЕ: Перед настройкой глубины забивания гвоздей всегда отпускайте триггерный переключатель и отсоединяйте шланг.

► Рис.5: 1. Регулятор

Для настройки глубины забивания гвоздей поверните регулятор.

Глубина забивания гвоздей наибольшая, когда регулятор полностью повернут в направлении А, как показано на рисунке. Повернув регулятор в направлении В, можно уменьшить глубину забивания. В том случае, если глубина забивания гвоздей недостаточная даже при полном повороте регулятора в направлении А, повысьте давление воздуха. В том случае, если глубина забивания гвоздей слишком большая даже при полном повороте регулятора в направлении В, понизьте давление воздуха.

Срок службы инструмента будет больше, если использовать его при небольшом давлении воздуха и с большей глубиной забивания гвоздей.

Крючок

▲ВНИМАНИЕ: Перед изменением положения крючка всегда отпускайте триггерный переключатель и отсоединяйте шланг.

▲ВНИМАНИЕ: Никогда не вешайте инструмент на высоте или на потенциально неустойчивой поверхности.

▲ВНИМАНИЕ: Не цепляйте крючок на поясной ремень. Падение нейлера может привести к его срабатыванию и травмированию находящихся рядом людей.

► Рис.6

► Рис.7: 1. Крючок 2. Болт с внутренним шестигранником 3. Отверстие

Крючок используется для временного подвешивания инструмента.

Для изменения положения крючка снимите болт с внутренним шестигранником и разверните крючок в другую сторону. На крючке есть два отверстия. Они позволяют регулировать расстояние между крючком и инструментом.

Регулирование направляющей по гонту

► Рис.8: 1. Контактный элемент 2. Направляющая по гонту 3. Гонт

► Рис.9: 1. Регулировочная пластина 2. Рычаг

Направляющая по гонту предназначена для постоянного выравнивания по гонту.

Установите гонтину в нужное положение. Поверните рычаг, чтобы отпустить регулировочную пластину. Установите пистолет так, чтобы контактный элемент прижимал одновременно прибываемую гонтину и предыдущий ряд гонта. Сдвиньте регулировочную пластину вверх до нижнего края прибываемой гонтины и верните рычаг в исходное положение, чтобы заблокировать регулировочную пластину.

СБОРКА

▲ВНИМАНИЕ: Прежде чем приступить к техническому обслуживанию инструмента всегда возвращайте триггерный переключатель и отсоединяйте пневматический шланг от инструмента.

▲ВНИМАНИЕ: При загрузке гвоздей в магазин обязательно используйте гвозди одинакового типа, размера и длины.

Установка гвоздей

ПРИМЕЧАНИЕ: Используйте гвозди, соответствующие типу выполняемых работ.

ПРИМЕЧАНИЕ: Отрегулируйте опорную пластину бобины по размеру используемых гвоздей. Если шаг опорной пластины отрегулирован неправильно, это может привести к сбоям в подаче гвоздей или работе инструмента.

1. Нажмите на рычаг с фиксатором, откройте крышку магазина.

► Рис.10: 1. Крышка магазина 2. Рычаг с фиксатором

2. Поднимите и поверните опорную пластину бобины так, чтобы стрелка с размером гвоздей на ней указывала на соответствующую длину гвоздей метку на магазине.

► Рис.11: 1. Опорная пластина бобины 2. Градуировка 3. Стрелка

3. Установите бобинные гвозди на опорную пластину бобины. Отмотайте достаточно гвоздей, чтобы вложить их в устройство подачи. Уложите первый гвоздь в канал воротка, а второй – в устройство подачи. Остальные отмотанные гвозди расположите вдоль устройства подачи. Убедитесь, что бобина гвоздей правильно расположена в магазине, и закройте его крышку.

► Рис.12: 1. Устройство подачи

Подключение пневматического шланга

ВНИМАНИЕ: Не держите палец на триггерном переключателе при подсоединении воздушного шланга.

► **Рис.13:** 1. Фитинг сжатого воздуха 2. Штуцер сжатого воздуха

Вставьте патрубков воздушного шланга в воздушный фитинг инструмента. Убедитесь, что патрубок плотно установлен на фитинге сжатого воздуха. Шланговое соединение должно быть установлено на инструменте или рядом с ним так, чтобы давление в напорном резервуаре сбрасывалось при отсоединении шланга подачи воздуха.

ЭКСПЛУАТАЦИЯ

ВНИМАНИЕ: Перед началом эксплуатации проверьте исправность всех систем защиты.

Проверка исправности перед эксплуатацией

Прежде чем приступить к работе, проверьте следующее:


- Убедитесь, что инструмент не срабатывает только после подключения пневматического шланга.
- Инструмент не должен срабатывать только при нажатии на триггерный переключатель.
- Инструмент не должен срабатывать при помещении контактного элемента на поверхность детали без нажатия на триггерный переключатель.
- При работе в режиме последовательного срабатывания убедитесь, что инструмент не срабатывает при нажатии на триггерный переключатель и последующем размещении контактного элемента на поверхности детали.

Выбор режима работы


ВНИМАНИЕ: Перед вбиванием гвоздей убедитесь в правильности установки переключателя выбора режима срабатывания в необходимое положение.

► **Рис.14:** 1. Переключатель выбора режима

Режим последовательного срабатывания:

Вбивание гвоздей осуществляется при единовременной активации инструмента. Выберите данный режим для точного и аккуратного забивания гвоздей. Чтобы выбрать данный режим, переведите переключатель выбора режима в положение .

Режим контактного срабатывания:

Вы можете забивать гвозди непрерывно при помещении контактного элемента с нажатым триггерным переключателем. Чтобы выбрать данный режим, переведите переключатель выбора режима в положение .

Последовательное срабатывание

ВНИМАНИЕ: Не прилагайте излишнего усилия при установке контактного элемента на детали. Нажмите триггерный переключатель до упора и держите его нажатым в течение 1-2 секунд после вбивания гвоздя.

Даже в режиме последовательного срабатывания наполовину нажатый триггерный переключатель может стать причиной срабатывания инструмента при повторном соприкосновении контактного элемента с поверхностью детали.

Прижмите контактный элемент к детали и нажмите на триггерный переключатель до упора. Когда гвоздь будет вбит, поднимите контактный элемент, а затем отпустите триггерный переключатель.

► **Рис.15**

Контактное срабатывание



Сначала нажмите на переключатель, а затем расположите контактный элемент на детали.

► **Рис.16**

Извлечение застрявших гвоздей

ВНИМАНИЕ: Перед извлечением застрявших гвоздей всегда возвращайте триггерный переключатель и отсоединяйте шланг.

ВНИМАНИЕ: Не используйте деформированные гвозди или гвозди в ленте. В противном случае подача гвоздей будет выполняться со сбоями.

► **Рис.17:** 1. Молоток 2. Небольшой стержень 3. Отверстие для подачи гвоздей

Если нейлер заклинивает, действуйте следующим образом: Откройте крышку магазина и извлеките бобину с гвоздями. Вставьте в отверстие для подачи гвоздей небольшой стержень или аналогичный предмет и постучите по нему молотком, чтобы выбить застрявший гвоздь из отверстия для подачи. Установите бобину с гвоздями на место, закройте крышку магазина.

ОБСЛУЖИВАНИЕ

ВНИМАНИЕ: Перед выполнением осмотра или обслуживания инструмента всегда возвращайте триггерный переключатель и отсоединяйте пневматический шланг от инструмента.

ПРИМЕЧАНИЕ: Запрещается использовать бензин, растворители, спирт и другие подобные жидкости, если в данной инструкции не указано иное. Это может привести к обесцвечиванию, деформации и трещинам.

Гвозди

Бережно обращайтесь с бобинами и коробками с гвоздями. Неосторожное обращение может привести к изменению формы гвоздей, затрудняющее их подачу.

Не храните гвозди в помещениях с высокой влажностью или температурой, не подвергайте их воздействию прямых солнечных лучей.

Чистка и удаление смолы и грязи

ВНИМАНИЕ: Для защиты рук обязательно надевайте водонепроницаемые перчатки.

Налипание смолы и грязи препятствует плавному движению контактного элемента (предохранительного механизма), результатом чего может стать случайное срабатывание. Необходимо периодически чистить участки вокруг контактного элемента.

Используйте растворители, такие как керосин, топочный мазут № 2 или дизельное топливо. Погрузите в растворитель только контактный элемент и участки вокруг отверстия для подачи, удалите смолу и грязь щеткой.

► Рис.18

ПРИМЕЧАНИЕ: Нельзя погружать в растворитель корпус, магазин и другие детали. В противном случае возможно повреждение инструмента.

ПРИМЕЧАНИЕ: Использованный растворитель утилизируйте соответствующим безопасным способом, выполняя все местные и государственные нормативные требования.

Обслуживание молотка для забивания гвоздей

Перед использованием инструмента всегда проверяйте его состояние и отсутствие ослабленных винтов. При необходимости, затяните винты.

Ежедневно проверяйте свободный ход контактного элемента и триггерного переключателя, предварительно отключив инструмент. Не пользуйтесь инструментом, если контактный элемент или триггерный переключатель залипает или заедает.

Если инструментом не будут пользоваться в течение длительного периода времени, смажьте его маслом для пневматических инструментов и храните в безопасном месте. Не допускайте воздействия на инструмент прямых солнечных лучей и/или влаги и высоких температур.

► Рис.19

Техническое обслуживание компрессора, комплекта для подачи воздуха и пневматического шланга

После эксплуатации всегда опорожняйте емкость компрессора и воздушный фильтр. Попадание влаги в инструмент может привести к нарушению его работы и возможному выходу из строя.

► Рис.20: 1. Дренажная пробка

► Рис.21: 1. Воздушный фильтр

Регулярно проверяйте наличие достаточного количества масла в масленке пневматического комплекта. Отсутствие достаточной смазки приведет к быстрому износу уплотнительных колец.

► Рис.22: 1. Масленка 2. Масло для пневмоинструмента

Не допускайте воздействия на пневматический шланг высоких температур (выше 60 °C или 140 °F) и химических веществ (растворители, концентрированные кислоты и щелочи). Прокладывайте шланги на расстоянии от препятствий, которые могут защемить шланг во время работы. Шланги должны прокладываться на расстоянии от острых краев и мест, где они будут подвержены повреждению или истиранию.

Для обеспечения БЕЗОПАСНОСТИ и НАДЕЖНОСТИ оборудования ремонт, любое другое техобслуживание или регулировку необходимо производить в уполномоченных сервис-центрах Makita или сервис-центрах предприятия с использованием только сменных частей производства Makita.

ДОПОЛНИТЕЛЬНЫЕ ПРИНАДЛЕЖНОСТИ

ВНИМАНИЕ: Данные принадлежности или приспособления рекомендуются для использования с инструментом Makita, указанным в настоящем руководстве. Использование других принадлежностей или приспособлений может привести к получению травмы. Используйте принадлежность или приспособление только по указанному назначению.

Если вам необходимо содействие в получении дополнительной информации по этим принадлежностям, свяжитесь с вашим сервис-центром Makita.

- Гвозди
- Пневматический шланг
- Защитные очки

ПРИМЕЧАНИЕ: Некоторые элементы списка могут входить в комплект инструмента в качестве стандартных приспособлений. Они могут отличаться в зависимости от страны.

Makita Europe N.V. Jan-Baptist Vinkstraat 2,
3070 Kortenberg, Belgium

Makita Corporation 3-11-8, Sumiyoshi-cho,
Anjo, Aichi 446-8502 Japan

www.makita.com

AN454-AT15-1712
EN, PL, HU, SK,
CS, UK, RO, DE,
SL, SQ, BG, HR,
MK, SR, RU
20190328